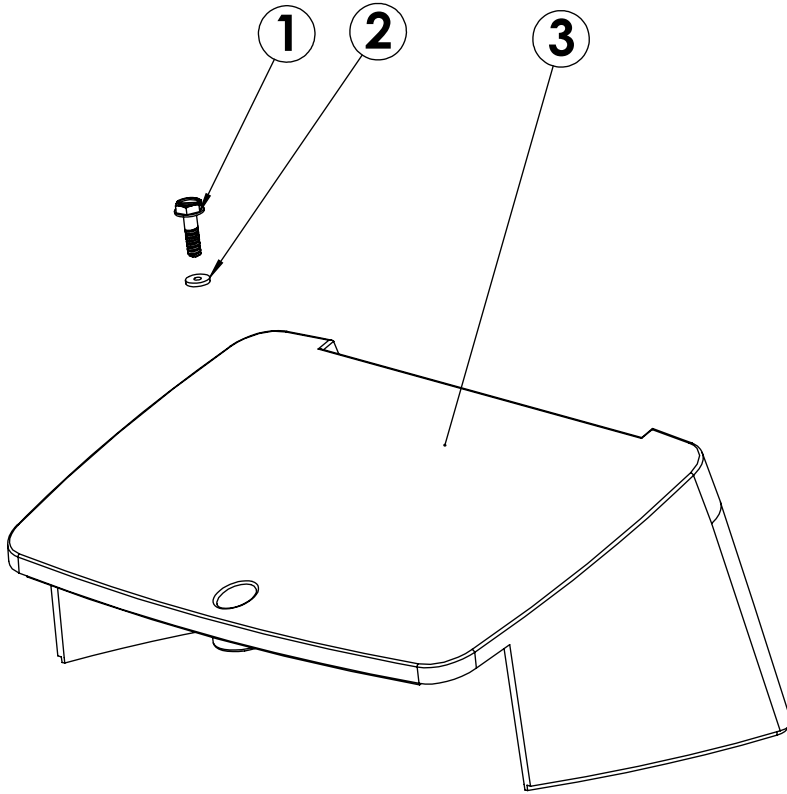


REVISIONS				
ECN	Rev.	Description	Date (dd/mm/yy)	Approved
4941	A	CREATED ON SOLIDWORKS	11/03/09	LD



ITEM	PN	DESCRIPTION	27903 QTY	27903-02 QTY
1	BU13296	SCREW #6-20 * 0.50 long	1	1
2	BU21718	WASHER	1	1
3	BU16683-12	COVER, BACK, MACHINED	-	1
3	16683-02	COVER, BACK	1	-

