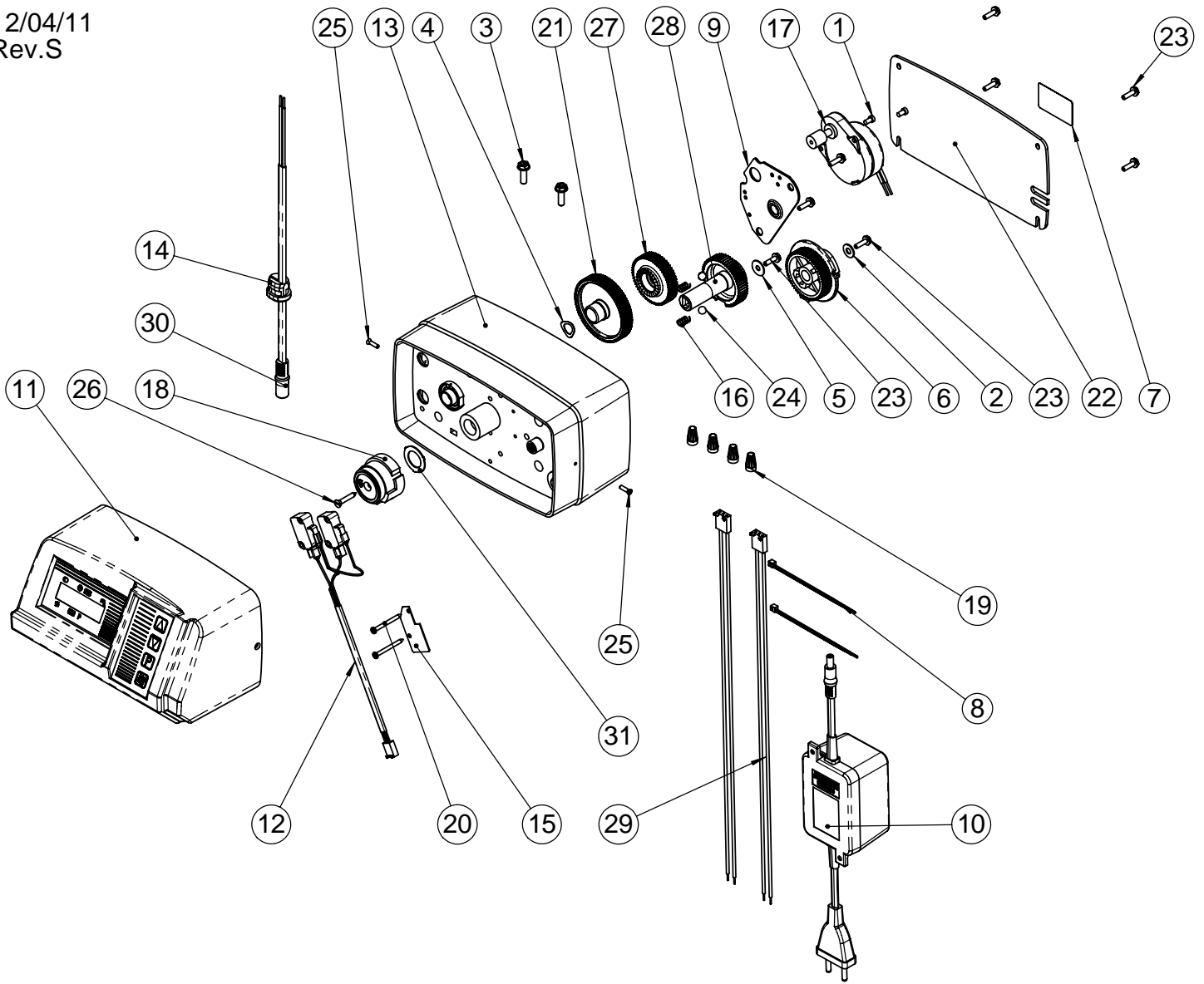


12/04/11
Rev.S



ITEM	PART NUMBER	QTY	DESCRIPTION
1	11384	2	SCREW
2	12037	1	WASHER
3	12473	2	SCREW 10-24 X 5/8
4	13299	1	WASHER
5	23250	1	WASHER INOX LN 4
6	18722	1	CAM BRINE VALVE 6600/6700
7	21271	1	SERIAL NUMBER LABEL
8	21759	2	TIE RAP
9	23341	1	PLATE MOTOR MOUNTING
10	25651	1	24v, STANDARD TRANSFORMER
11	27944	1	COVER & MICRO-P BOARD 24v SYS ASSY 6600/6665
12	28022	1	WIRE HARNESS HOME & STEP & MICROSWITCH FOR 6600 UF
13	28381-02	1	DRIVE HOUSING 5600 SE ASSY
14	BR13547	1	STRAIN RELIEF,FLAT CORD
15	BR14087	1	INSULATOR
16	BR14457	2	SPRING,DETENT
17	16944	1	MOTOR, 24V - 60Hz, 2 RPM
18	BR17885	1	CAM BRINING, 6600, U/F, RED
19	BR40422	4	WIRE NUT
20	BU11413	2	SCREW 2.9x32
21	BU13017	1	IDLER GEAR
22	BU13229-02	1	BACK COVER - Black
23	BU13296	8	SCREW #6-20 * 0.50 long
24	BU13300	2	BALL 1/4"
25	BU13898	2	SCREW 4-24
26	BU15151	1	SCREW
27	BU23045	1	DRIVE GEAR
28	BR42933-10	1	GEAR, DRIVE, UPFLOW, 6700
29	BU28112	1	WIRE HARNESS POWER 24V
30	BU28552	1	TRANSFORMER WIRE HARNESS
31	BR19079	1	WASHER, FRICTION



POWER HEAD ASSY 6600 UP FLOW CHRONO

28016
Chap.06