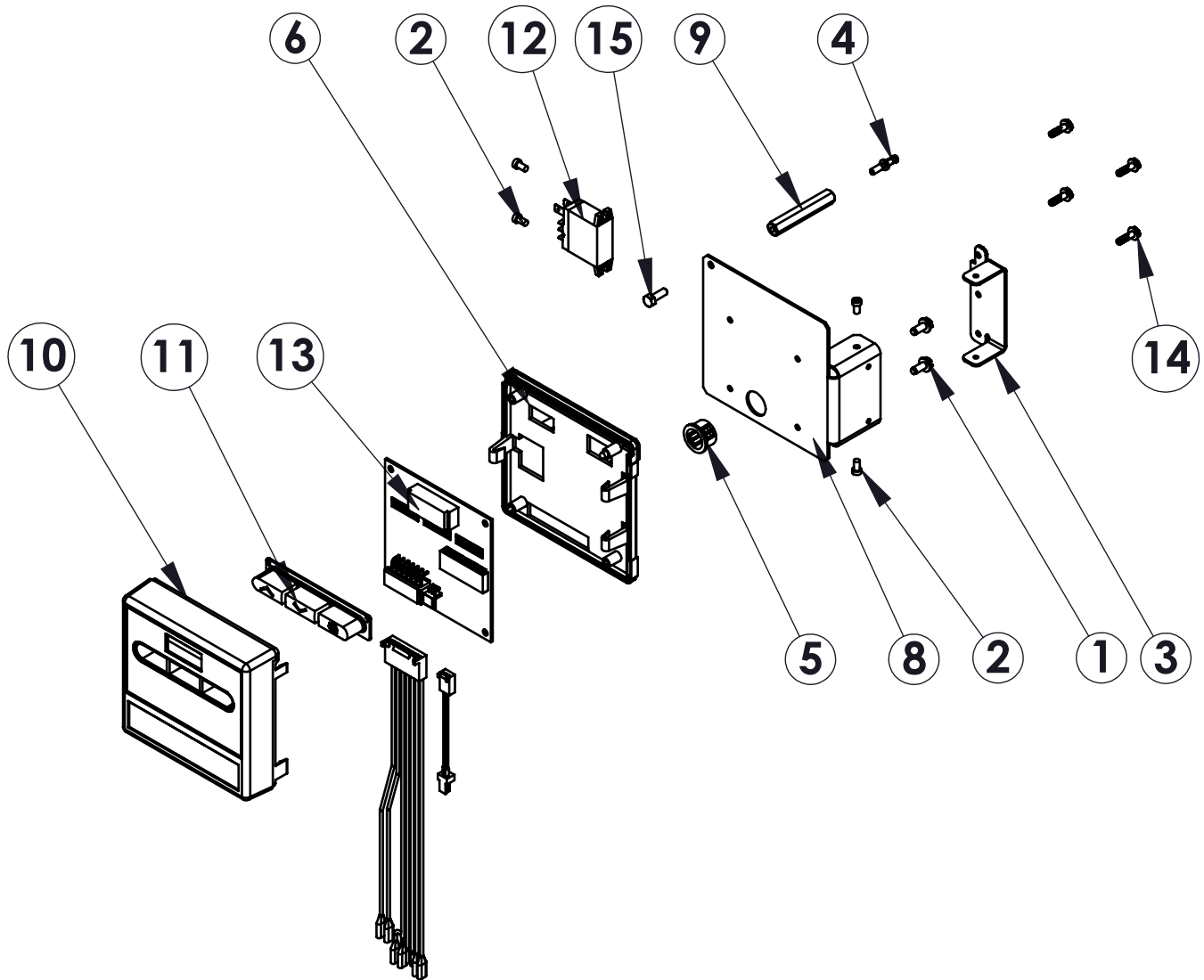


REVISIONS				
ECN	Rev.	Description	Date (dd/mm/yy)	Approved
	A	BU21363 WAS 2163	9/11/07	LD



ITEM	QTY	PART NO.	DESCRIPTION	NOM
1	2	10300	SCREW, SLOT HEX WSH, 8-18 X 3/8	VIS
2	4	11384	SCREW	VIS
3	1	13881	HINGE BRACKETMODEL 3200 ET	HINGE BRACKETMODEL 3200 ET
4	1	14265	SPRING CLIP	CLIP
5	1	17904	BUSHING HEYCO 1/2	BAGUE
6	1	19889	HOUSING CIRCUIT BOARD	BOITIER
7	1	27167	HARNESS POWER SE	FAISCEAU D'ALIMENTATION SE
8	1	27168	TIMER BRACKET	PLAQUE TIMER
9	1	27172	STAND OFF TIMER 2510	ENTRETOISE TIMER 2510
10	1	28226-02	COVER FRONT PANEL & LABEL SE UF 2750/2900/5000/5600	COVER FRONT PANEL & LABEL SE UF 2750/2900/5000/5600
11	1	40376	BUTTON CONDUCTIVE RUBBER	BOUTON
12	1	BR17749-00	RELAY SPDT,24 VAC COIL	RELAY SPDT,24 VAC COIL
13	1	BR40283	CIRCUIT BOARD, SE TIMER	Circuit, SE TIMER
14	4	BU13296	SCREW #6-20 * 0.50 long	Vis
15	1	BU21363	SCREW TH M4x12	VIS
16	1	BU27808	METER CABLE	CABLE DE COMPTEUR



TIMER 2750/2900/2910 SE ASSY

28025
Chapitre 24