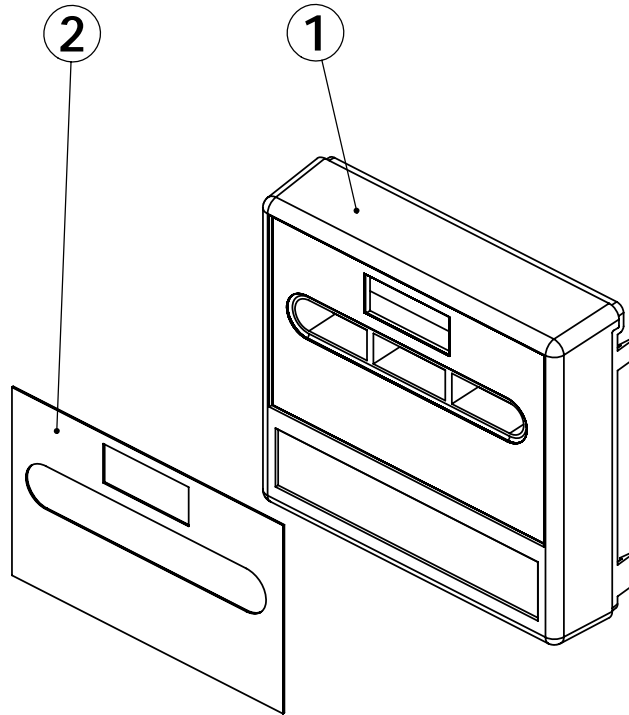


REVISIONS				
ECN	Rev.	Description	Date (dd/mm/yy)	Approved
	B	PUT ALL VERSIONS ON ONE SHEET ; NO CHANGE	4/03/08	LD
	C	BR19471 was 19471	12/06/09	LD
F5265	D	28226-05 version OBSOLETE (8500)	08/02/2011	Man



INTERNAL USE ONLY

ITEM	PN	DESCRIPTION	DF 28226-01 QTY	UF 28226-02 QTY	FILTER DF 28226-03 QTY	FILTER UF 28226-04 QTY	9000 UF 28226-06 QTY
1	BR19471-02	COVER, FRONT PANEL,5600SE, BLACK	1	1	1	1	1
2	BU27793	FRONT LABEL SE DF	1	-	-	-	-
2	BU27794	FRONT LABEL SE	-	1	-	-	-
2	27859	FRONT LABEL SE DF FILTER	-	-	1	-	-
2	27860	FRONT LABEL SE UF FILTER	-	-	-	1	-
2	28166	FRONT LABEL PICTO 9000 SE UF	-	-	-	-	1

