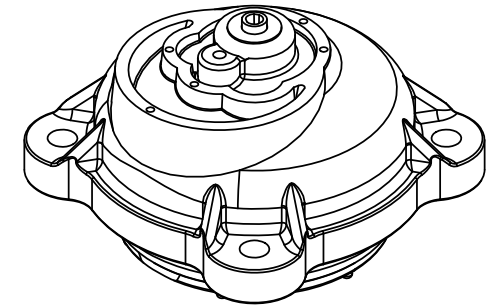
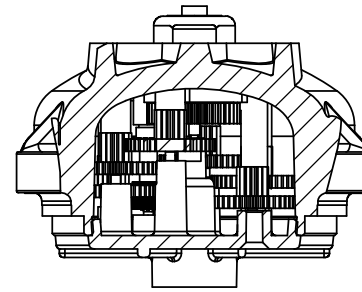
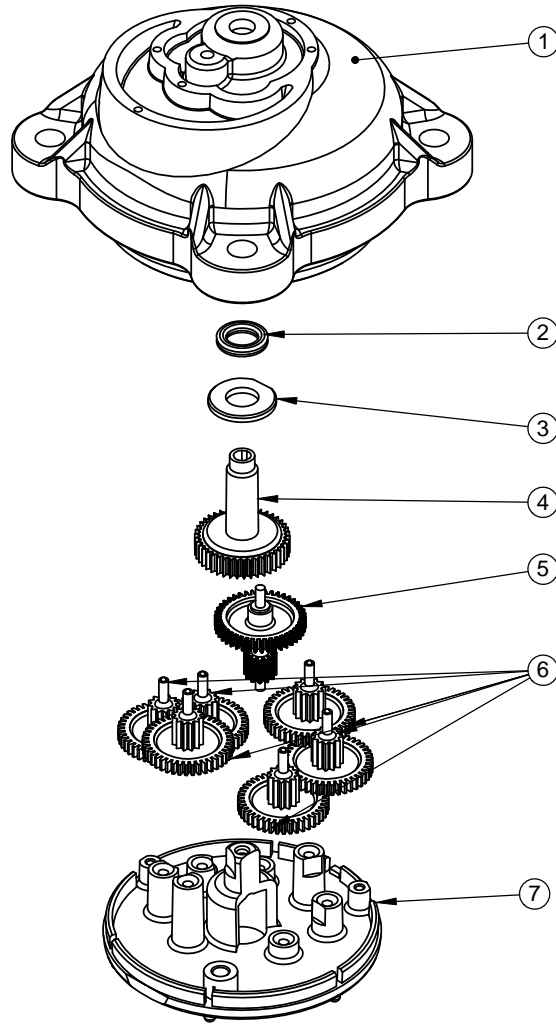


REVISIONS				
ECN	Rev.	Description	Date (dd/mm/yy)	Approved
F5170	C	UPDATE PART TO PRINT :BR41055 was 13823 ** BR40986 was 13822	10/05/10	MAN
	D	BU10209-01 was 17711	14/06/11	CHT
F5464	E	OBSOLETE SEE BR14038	04/04/2012	MAN/CHT



**OBSOLETE * SEE BR14038
SEE ECO F5464**

**SOUS ENSEMBLE DE SOUS-TRAITANCE
POUR LE BR14038**

ITEM NO.	QTY.	PART NO.	DESCRIPTION
1	1	BR40986	CAP, METER
2	1	BU10209-01	QUAD RING DURO=60
3	1	BR13832	RETAINER, SEAL
4	1	BR40180	GEAR, OUTPUT, METER
5	1	BR13825	GEAR ASSY, METER CHANGE LEVEL
6	6	BR13510	GEAR, IDLER
7	1	BR41055	PLATE, INTERMEDIATE

<p>ROHS NOTES : THE COMPONENT, PART, OR ASSEMBLY DESCRIBED IN THIS DOCUMENT MUST COMPLY WITH THE FOLLOWING EU (EUROPEAN UNION) DIRECTIVES: ROHS DIRECTIVE 2002/95/EC, WEE DIRECTIVE 2002/96/EC, AND ELV DIRECTIVE 2000/53/EC. THESE DIRECTIVES RESTRICT THE USE OF LEAD, CADMIUM, MERCURY, CHROMIUM, PBB, PBDE, AND OTHER HAZARDOUS MATERIALS. SEE THE TERMS AND CONDITIONS OF THE CONTRACT (PURCHASE ORDER) FOR MORE INFORMATION.</p>				
<p>All drawings and specifications as well as processes, materials, compounds and other similar criteria are to be strictly adhered to. No modifications allowed without prior written approval.</p>	<p>THIRD ANGLE PROJECTION</p>			
	<p>Material X</p>		<p>Title METER CAP ASSY, STD, PLAS</p>	
<p>TOLERANCES (UNLESS OTHERWISE SPECIFIED) 25 ±0.4 mm 25.0 ±0.25 mm 25.00 ±0.10 mm ANGULAR ±1° 3.2 Break all exposed sharp corners 0.25 x 45° MIN.</p>	<p>Drawn MAN</p>	<p>Date (dd/mm/yy) 10/05/2010</p>	<p>Scale 1:1</p>	<p>Filename 28298</p>
<p>DO NOT SCALE DRAWING DIMENSIONS - MM [inch]</p>	<p>Approved X</p>	<p>Date (dd/mm/yy) X</p>	<p>Size A3</p>	<p>Weight (kg) X</p>
				<p>Sheet 1 of 1</p>
				<p>Part # 28298</p>
				<p>Dwg # 28298</p>