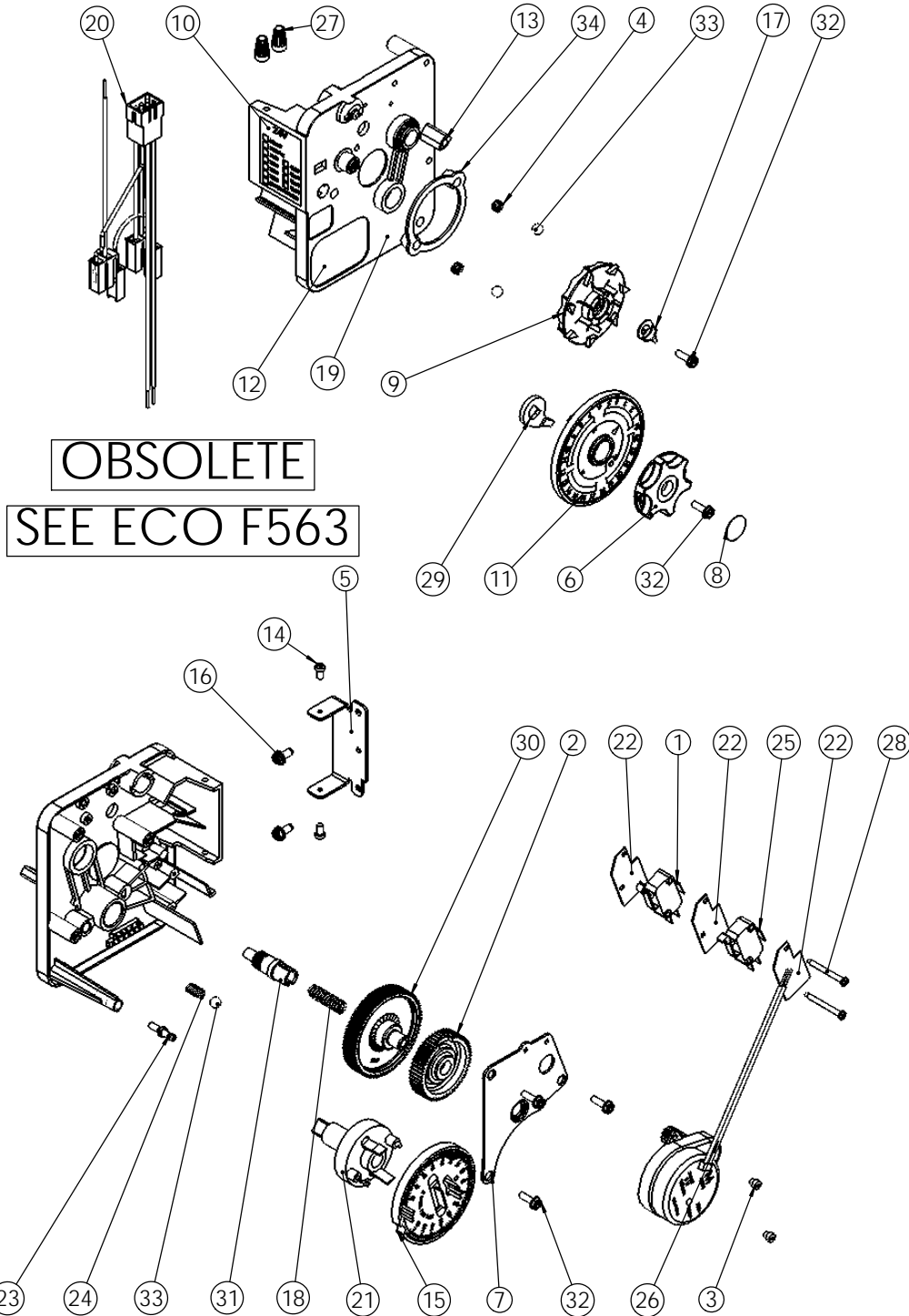


INTERNAL USE ONLY



ITEM	P/N	QTY	DESCRIPTION
1	10896	1	MICROSWITCH
2	BU13164	1	GEAR, DRIVE
3	13278	2	SCREW MOTOR MOUNTING
4	13311	2	IDLER SHAFT SPRING
5	BU13881-10	1	HINGE BRACKET FOR 5100/5165
6	13886	1	KNOB 3200 TIMER
7	13887	1	PLATE, MOTOR MOUNTING
8	13953	1	COVER UP DISC LABEL
9	BR14860	1	SKIPPER WHEEL ASSY, 7 DAY
10	24388	1	LABEL 24V
11	24521	1	24 HOURS GEAR ASSY FOR TIMER 3200/3210
12	26846	1	INSTRUCTION LABEL
13	26870	1	LABEL PICTOGRAM
14	11384	2	SCREW, FILLISTER HEAD, PHILLIPS, #6-32 X .25
15	28278	1	PROGRAM WHEEL ASSY 5100
16	BR10300	2	SCREW, SLOT HEX WSH, 8-18 X 3/8
17	BR13014	1	REGENERATION POINTER
18	BR13312	1	IDLER SHAFT SPRING
19	BR13870	1	HOUSING, TIMER, 3200
20	BR13902	1	WIRE HARNESS TIMER 3220 IMMEDIAT
21	BR13911	1	GEAR,MAIN DRIVE,TIMER
22	BR14087	3	INSULATOR
23	BR14265	1	CLIP, SPRING
24	BR14457	1	SPRING,DETENT
25	BR15320	1	MICROSWITCH
26	BR18826-1	1	MOTOR, 120V-60HZ 1/30 RPM
27	BR40422	2	WIRE NUT
28	BU11413	2	SCREW 2.9x32
29	BU13011	1	CYCLE ACTUATOR ARM
30	BU13017	1	IDLER GEAR
31	BU13018	1	IDLER SHAFT
32	BU13296	5	SCREW #6-20 * 0.50 long
33	BU13300	3	BALL 1/4"
34	BU13864	1	SKIPPER WHEEL RING



TIMER 3200 7 DAYS ASSY FOR 5100 FILTER

28333