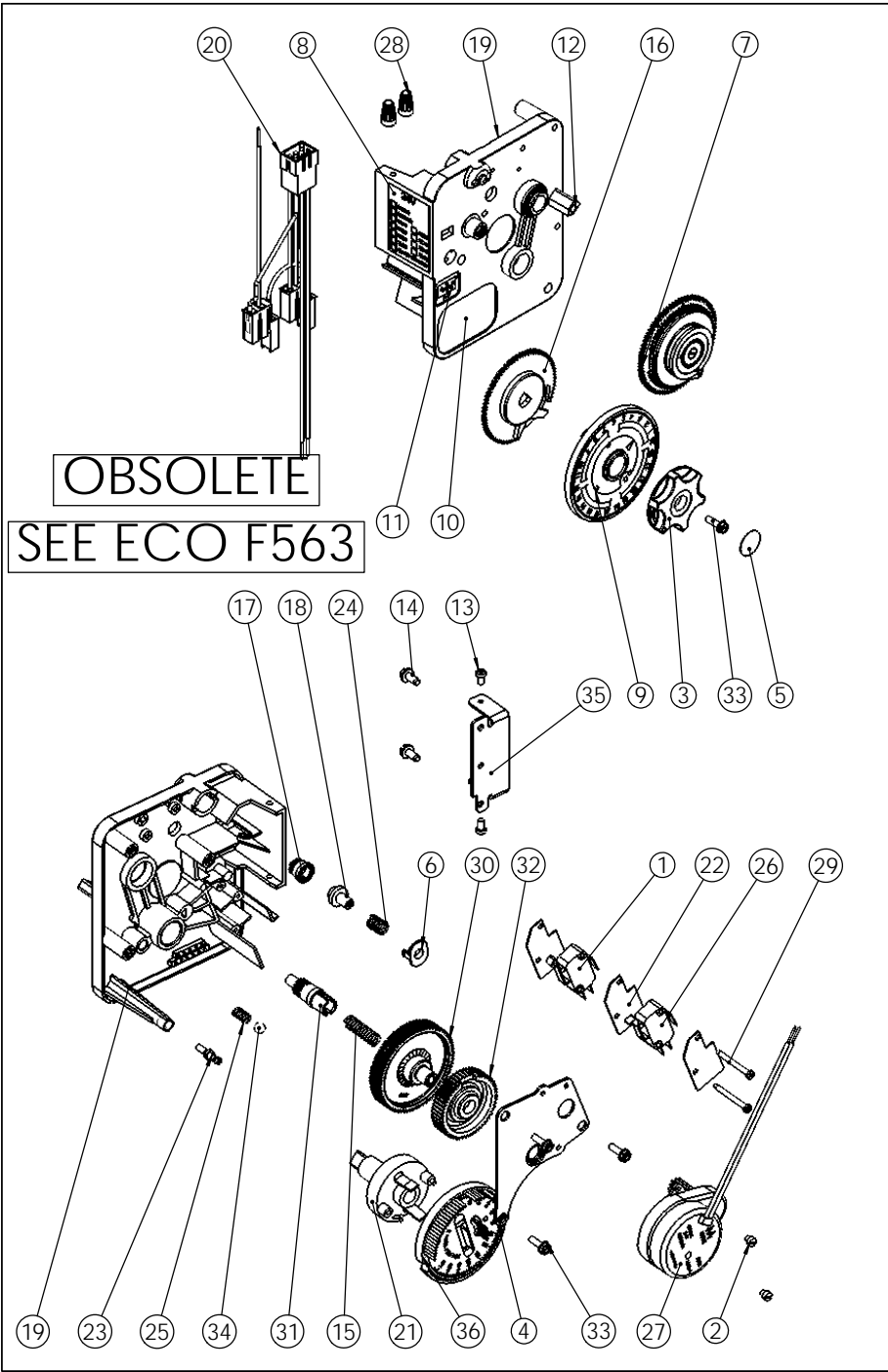


INTERNAL USE ONLY

FLECK 07/02/2013
Rev.X



ITEM	P/N	QTY	DESCRIPTION
1	10896	1	MICROSWITCH
2	13278	2	SCREW MOTOR MOUNTING
3	13886	1	KNOB 3200 TIMER
4	13887	1	PLATE, MOTOR MOUNTING
5	13953	1	COVER UP DISC LABEL
6	14253	1	RETAINER, CLUTCH SPRING
7	24119	1	Program Wheel 8 m3 Assy 1550/2750/4600/5600E
8	24388	1	LABEL 24V
9	24521	1	24 HOURS GEAR ASSY FOR TIMER 3200/3210
10	26846	1	INSTRUCTION LABEL
11	26848	1	INDICATOR LABEL
12	26870	1	LABEL PICTOGRAM
13	11384	2	SCREW, FILLISTER HEAD, PHILLIPS, #6-32 X .25
14	BR10300	2	SCREW, SLOT HEX WSH, 8-18 X 3/8
15	BR13312	1	IDLER SHAFT SPRING
16	BR13802	1	GEAR, CYCLE ACTUATOR
17	BR13830	1	PROGRAM WHEEL, PINION DRIVE
18	BR13831	1	CLUTCH, DRIVE PINION
19	BR13870	1	HOUSING, TIMER, 3200
20	BR13902	1	WIRE HARNESS TIMER 3220 IMMEDIAT
21	BR13911	1	GEAR,MAIN DRIVE,TIMER
22	BR14087	3	INSULATOR
23	BR14265	1	CLIP, SPRING
24	BR14276	1	SPRING, METER, CLUTCH
25	BR14457	1	SPRING,DETENT
26	BR15320	1	MICROSWITCH
27	BR18826-1	1	MOTOR, 120V-60HZ 1/30 RPM
28	BR40422	2	WIRE NUT
29	BU11413	2	SCREW 2.9x32
30	BU13017	1	IDLER GEAR
31	BU13018	1	IDLER SHAFT
32	BU13164	1	GEAR, DRIVE
33	BU13296	4	SCREW #6-20 * 0.50 long
34	BU13300	1	BALL 1/4"
35	BU13881-10	1	HINGE BRACKET FOR 5100/5165
36	BU28277	1	PROGRAM WHEEL ASSY 5165



TIMER 3210 ASSY FOR 5165

28334