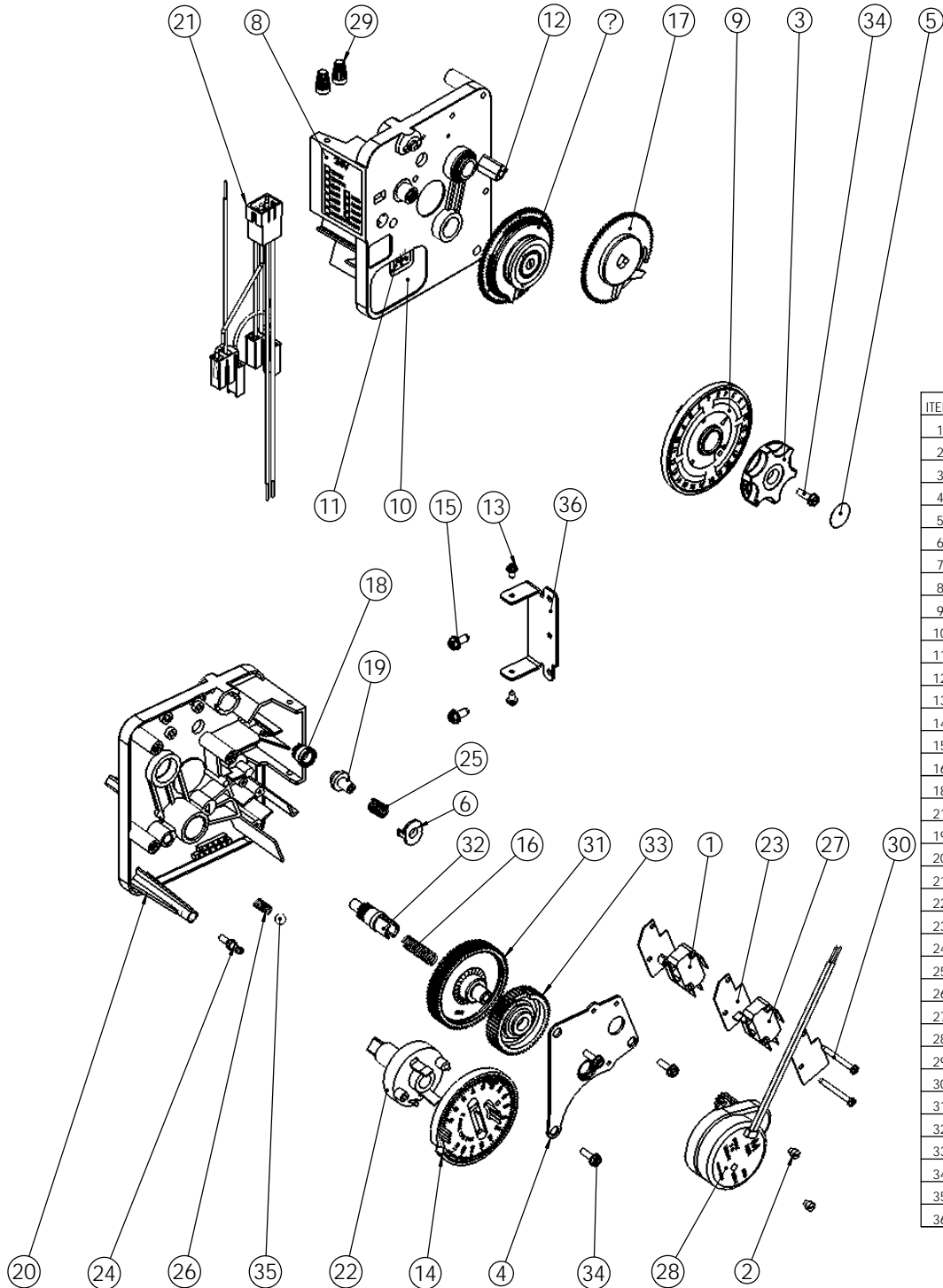


OBSOLETE
SEE ECO F563



ITEM	QTY	PART NO.	DESCRIPTION	NOM
1	1	10896	MICROSWITCH	MICROSWITCH
2	2	13278	SCREW MOTOR MOUNTING	VIS
3	1	13886	KNOB 3200 TIMER	BOUTON
4	1	13887	PLATE, MOTOR MOUNTING	PLAQUE DE MONTAGE
5	1	13953	COVER UP DISC LABEL	CACHE BOUTON
6	1	14253	RETAINER, CLUTCH SPRING	BUTEE DE RESSORT
7	1	24119	Program Wheel 8 m3 Assy 1550/2750/4600/5600E	Roue de programmation 8 m3 assemblée 1550/2750/4600/5600
8	1	24388	LABEL 24V	ETIQUETTE 24V
9	1	24521	24 HOURS GEAR ASSY FOR TIMER 3200/3210	ROUE 24 HEURES ASSEMBLEE
10	1	26846	INSTRUCTION LABEL	ETIQUETTE
11	1	26848	INDICATOR LABEL	ETIQUETTE
12	1	26870	LABEL PICTOGRAM	ETIQUETTE PICTOGRAMME
13	2	26885	SCREW	VIS
14	1	28278	PROGRAM WHEEL ASSY 5100	ROUE DE PRG. DES CYLES TIMER 5100
15	2	BR10300	SCREW, SLOT HEX WSH, 8-18 X 3/8	VIS TETE HEXAGONALE
16	1	BR13312	IDLER SHAFT SPRING	RESSORT
18	1	BR13830	PROGRAM WHEEL, PINION DRIVE	PIGNON , D'ENTRAINEMENT
21	1	BR13802	GEAR, CYCLE ACTUATOR	ROUE D'ENCLICHEMENT CYCLES
19	1	BR13831	CLUTCH, DRIVE PINION	EMBRAYAGE
20	1	BR13870	HOUSING, TIMER, 3200	
21	1	BR13902	WIRE HARNESS TIMER 3220 IMMEDIAT	FAISCEAU TIMER 3220 IMMEDIATE
22	1	BR13911	GEAR, MAIN DRIVE, TIMER	ROUE D'ENTRAINEMENT COMPTEUR
23	3	BR14087	INSULATOR	ISOLATEUR
24	1	BR14265	CLIP, SPRING	CLIP
25	1	BR14276	SPRING, METER, CLUTCH	RESSORT
26	1	BR14457	SPRING, DETENT	RESSORT
27	1	BR15320	MICROSWITCH	MICROSWITCH
28	1	BR18826-1	MOTOR, 120V-60HZ 1/30 RPM	
29	2	BR40422	WIRE NUT	CONNECTEUR
30	2	BU11413	SCREW 2.9x32	VIS
31	1	BU13017	IDLER GEAR	PIGNON
32	1	BU13018	IDLER SHAFT	PIGNON
33	1	BU13164	GEAR, DRIVE	ROUE D'ENTRAINEMENT
34	4	BU13296	SCREW #6-20 * 0.50 long	Vis
35	1	BU13300	BALL 1/4"	BILLE 1/4"
36	1	BU13881-10	HINGE BRACKET FOR 5100/5165	HINGE BRACKET FOR 5100/5165



TIMER 3210 ASSY FOR 5100 DF

28335
CHAP.24