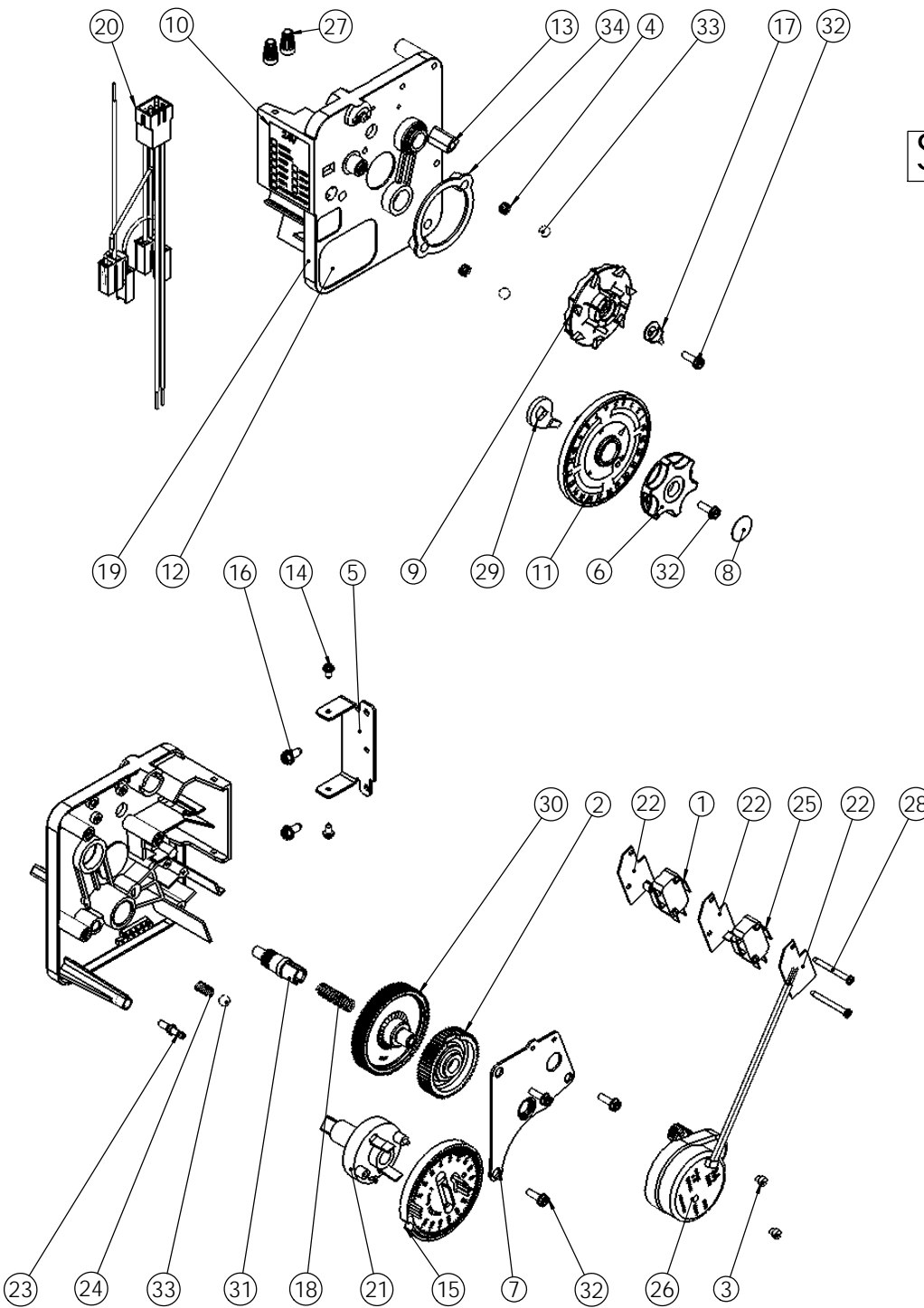


OBSOLETE
SEE ECO F563

INTERNAL USE ONLY



ITEM	QTY	PART NO.	DESCRIPTION	NOM
1	1	10896	MICROSWITCH	MICROSWITCH
2	1	BU13164	GEAR, DRIVE	ROUE D'ENTRAINEMENT
3	2	13278	SCREW MOTOR MOUNTING	VIS
4	2	13311	IDLER SHAFT SPRING	RESSORT
5	1	BU13881-1	HINGE BRACKET FOR 5100/5165	HINGE BRACKET FOR 5100/5165
6	1	13886	KNOB 3200 TIMER	BOUTON
7	1	13887	PLATE, MOTOR MOUNTING	PLAQUE DE MONTAGE
8	1	13953	COVER UP DISC LABEL	CACHE BOUTON
9	1	BR14860	SKIPPER WHEEL ASSY, 7 DAY	ROUE 7 JOURS
10	1	24388	LABEL 24V	ETIQUETTE 24V
11	1	24521	24 HOURS GEAR ASSY FOR TIMER 3200/3210	ROUE 24 HEURES ASSEMBLEE
12	1	26846	INSTRUCTION LABEL	ETIQUETTE
13	1	26870	LABEL PICTOGRAM	ETIQUETTE PICTOGRAMME
14	2	26885	SCREW	VIS
15	1	28278	PROGRAM WHEEL ASSY 5100	ROUE DE PRG. DES CYLES TIMER 5100
16	2	BR10300	SCREW, SLOT HEX WSH, 8-18 X 3/8	VIS TETE HEXAGONALE
17	1	BR13014	REGENERATION POINTER	
18	1	BR13312	IDLER SHAFT SPRING	RESSORT
19	1	BR13870	HOUSING, TIMER, 3200	
20	1	BR13902	WIRE HARNESS TIMER 3220 IMMEDIAT	FAISCEAU TIMER 3220 IMMEDIATE
21	1	BR13911	GEAR,MAIN DRIVE,TIMER	ROUE D'ENTRAINEMENT COMPTEUR
22	3	BR14087	INSULATOR	ISOLATEUR
23	1	BR14265	CLIP, SPRING	CLIP
24	1	BR14457	SPRING,DETENT	RESSORT
25	1	BR15320	MICROSWITCH	MICROSWITCH
26	1	BR18826-1	MOTOR, 120V-60HZ 1/30 RPM	
27	2	BR40422	WIRE NUT	CONNECTEUR
28	2	BU11413	SCREW 2.9x32	VIS
29	1	BU13011	CYCLE ACTUATOR ARM	DOIGT DE DECLENCHEMENT
30	1	BU13017	IDLER GEAR	PIGNON
31	1	BU13018	IDLER SHAFT	PIGNON
32	5	BU13296	SCREW #6-20 * 0.50 long	Vis
33	3	BU13300	BALL 1/4"	BILLE 1/4"
34	1	BU13864	SKIPPER WHEEL RING	ANNEAU ROUE SAUTEUSE



TIMER 3200 7 DAYS ASSY FOR 5100 DF

28336
CHAP.24