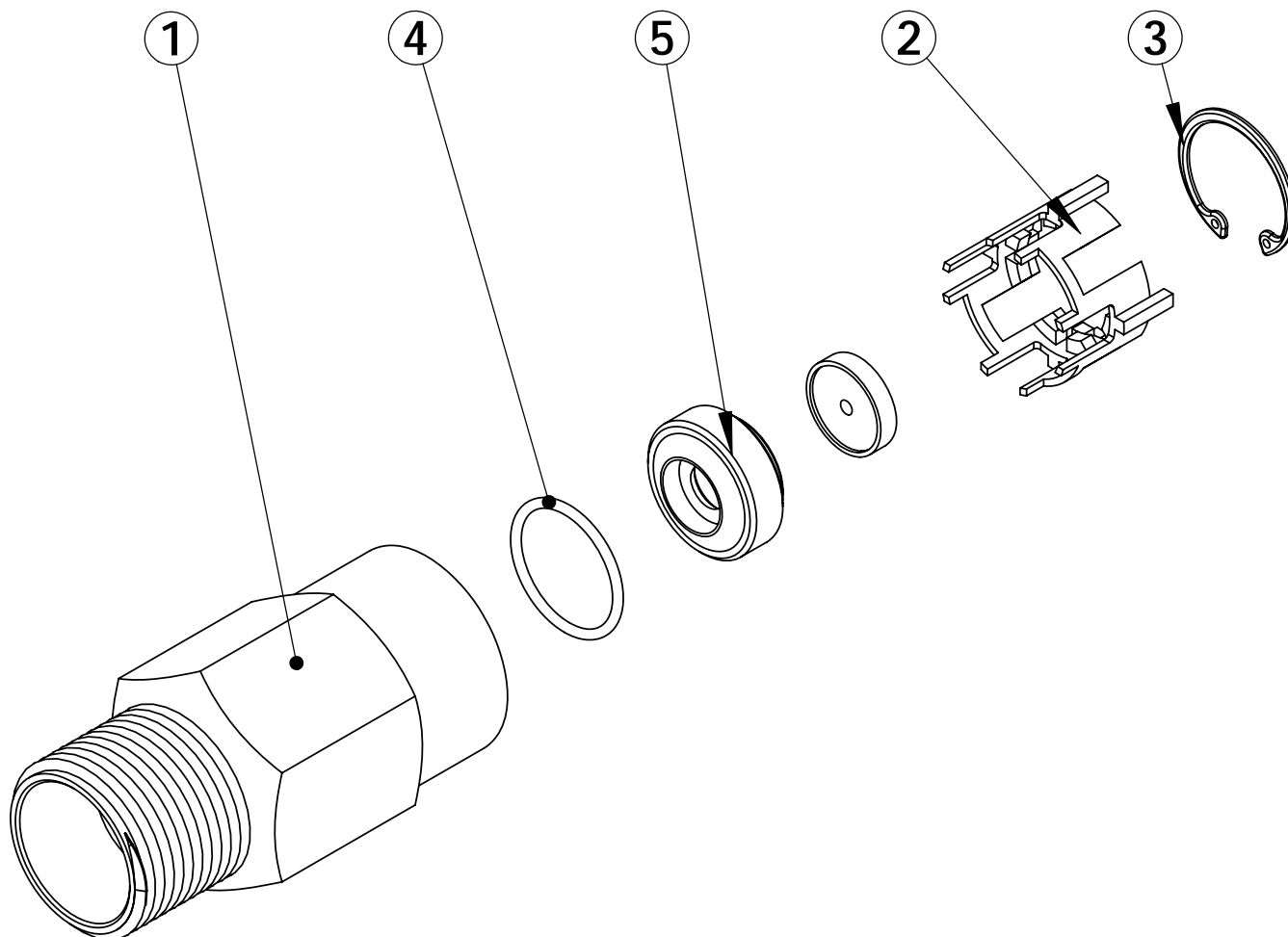


REVISIONS				
ECN	Rev.	Description	Date (dd/mm/yy)	Approved
	D	BR12085, BR12086, BR12088, BR12089, BR12090, BR12091, BR12092 & BR12408 was 12085, 12086, 12088, 12089, 12091, 12092 & 12408	14/04/09	LD
F5268	E	Versions 28388-4 / - 1,2 / - 2,4 / - 8 / - 9 / -12 OBSOLETE	18/10/2010	MP



ITEM	PN	DESCRIPTION	28388-1.5 QTY	28388-2 QTY	28388-3 QTY	28388-3.5 QTY	28388-5 QTY	28388-7 QTY	28388-10 QTY	28388-15 QTY	28388-20 QTY
1	BR16530	FLOW CONTROL HOUSING	1	1	1	1	1	1	1	1	1
2	16738	FLOW CONTROL RETAINER	1	1	1	1	1	1	1	1	1
3	16805	RING, RETAINING	1	1	1	1	1	1	1	1	1
4	BU19292	O'RING 22 * 1,8	1	1	1	1	1	1	1	1	1
5	19053	FLOW CONTROL HOUSING	1	1	1	1	1	1	-	-	-
5	19279	FLOW CONTROL RETAINER	-	-	-	-	-	-	1	1	1
6	BR12086	WASHER, FLOW, 1.5 GPM	1	-	-	-	-	-	-	-	-
6	BR12087	WASHER FLOW, 2.0 GPM	-	1	-	-	-	-	-	-	-
6	BR12089	WASHER, FLOW, 3.0 GPM	-	-	1	-	-	-	-	-	-
6	BR12090	WASHER, FLOW, 3.5 GPM	-	-	-	1	-	-	-	-	-
6	BR12092	WASHER, FLOW, 5.0 GPM	-	-	-	-	1	-	-	-	-
6	BR12408	WASHER, FLOW, 7.0 GPM	-	-	-	-	-	1	-	-	-
6	16529	FLOW CONTROL WASHER 10 GPM	-	-	-	-	-	-	1	-	-
6	16736	FLOW CONTROL WASHER 15 GPM	-	-	-	-	-	-	-	1	-
6	16528	FLOW CONTROL WASHER 20 GPM	-	-	-	-	-	-	-	-	1



**BLFC 1" ASSY 3150/3900, SPECIFY SIZE**

**28388-xx**  
CHAP 07