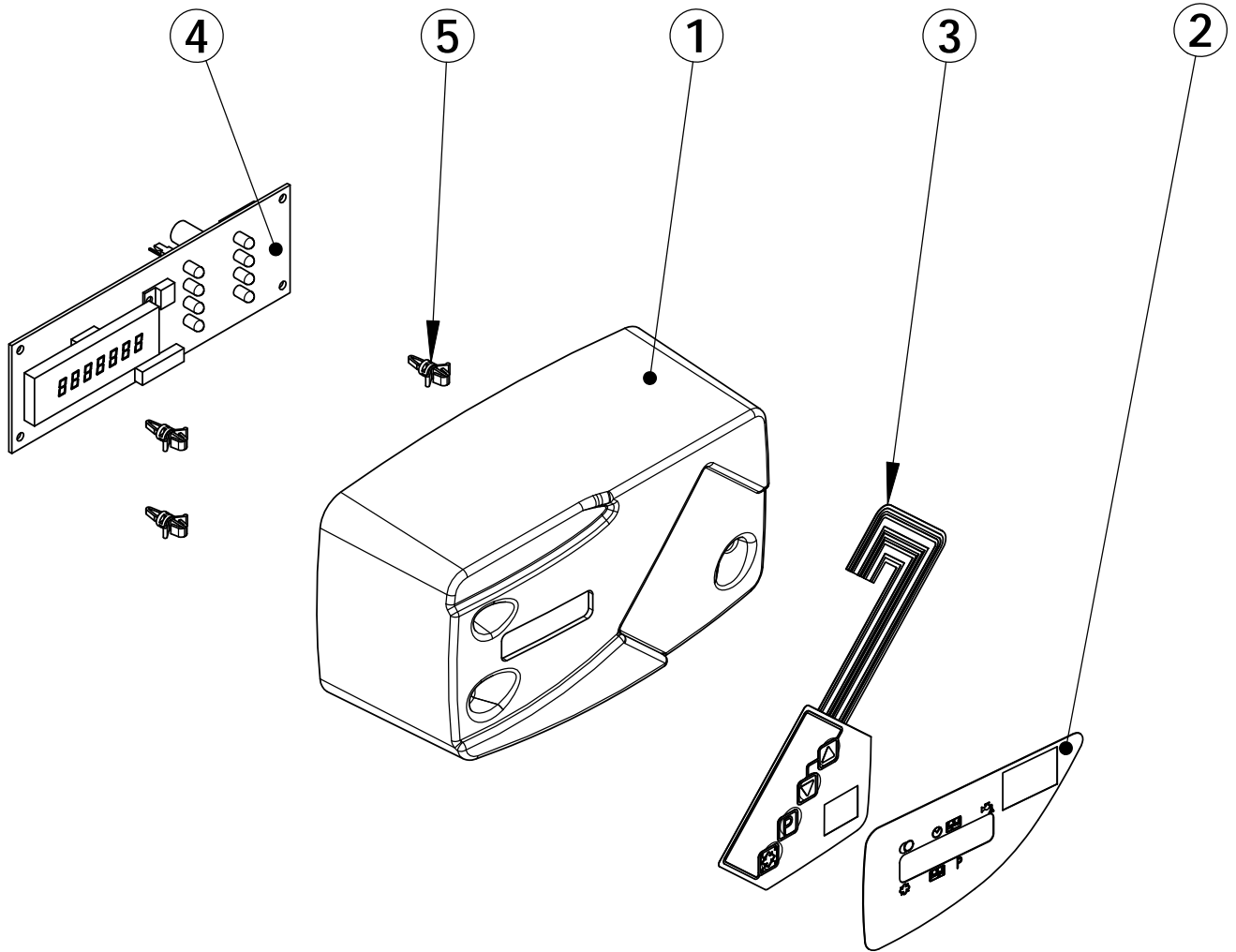


REVISIONS				
ECN	Rev.	Description	Date (dd/mm/yy)	Approved
F4197	A	CREATION	20/02/07	CHT/LD



ITEM	QTY	PART NO.	DESCRIPTION	NOM
1	1	28473	E.C.O 6600 Cover	E.C.O 6600 Cover
2	1	28474	WINDOW LABEL, ECO 6600 COVER	ETIQUETTE FENETRE, COUVERCLE E.C.O 6600
3	1	28476	Switch and Label Assembly, "ECO" 6600	CLAVIER / LABEL ASSEMBLES 6600 "ECO"
4	1	40680-00	CIRCUIT BOARD 6600/6700 24 V - 2 RELAY	CARTE ELECTRONIQUE 6600/6700 24V 2 RELAIS
5	3	BU28537	SPACER FOR CIRCUIT BOARD 6600 GT	ENTRETOISE CLIPSABLE



"ECO" 6600 COVER ASSY

**28477**  
Chap.27