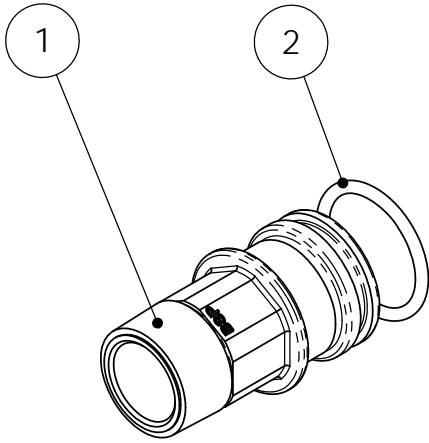


2

1

REVISIONS					
ZONE	ECN	REV.	DESCRIPTION	DATE	APP'D
	12051	A	RELEASE FOR PRODUCTION	02-24-04	PWS
	12218	B	B1 ADD BAG P/N 16895, B2 ADD P/N 41162	04-01-04	PWS

ITEM NO.	QTY.	PART NUMBER	DESCRIPTION
1	1	40563-10	CONNECTOR, 1" BSP, 7000
2	1	BR40951	O-RING, -220



NOTES:

- (B2) 1. ASSEMBLE PART 2 TO PART 1.
PART 2 TO BE LUBRICATED P/N 41162
- (B1) 2. PLACE ASSEMBLY IN BAG P/N 16895
- 3. USE SERVICE ASSEMBLE ACCEPTANCE I.D. LABEL

THIS DOCUMENT IS SOLELY THE PROPERTY OF PENTAIR WATER TREATMENT. REPRODUCTION, USE DISCLOSURE, OR TRANSMISSION OF THIS DOCUMENT OR DETAILS CONTAINED HEREIN, IN PART OR IN WHOLE, IS PROHIBITED WITHOUT THE WRITTEN CONSENT OF PENTAIR WATER TREATMENT ENGINEERING. THIS DOCUMENT AND ANY COPIES SHALL BE RETURNED TO PENTAIR WATER TREATMENT UPON WRITTEN REQUEST.

- 1. DO NOT SCALE DRAWING
 - 2. DIMENSIONS = INCH/[mm]
 - 3. TOLERANCES (UNLESS OTHERWISE SPECIFIED)
- | | INCH | [mm] |
|-------|---------|--------|
| 1 | ± 0.015 | ± 0.40 |
| 0.1 | ± 0.015 | ± 0.25 |
| 0.01 | ± 0.010 | ± 0.13 |
| 0.001 | ± 0.005 | |

ANGULAR ± 1°
BREAK ALL EXPOSED SHARP CORNERS .010 [.25] X 45° MAX.

PARTS LIST

THIS DRAWING MUST BE COMPARED TO THE ERP SYSTEM TO ENSURE CORRECT REVISION LEVEL PRIOR TO USE.

LAST SAVED IN SMARTTEAM: 04/09/2004 14:26		THIRD ANGLE PROJECTION		 P.O. BOX 730 BROOKFIELD, WI 53008-0730	
CRITICALITY SYMBOLS PER QPSP-001.2		APPROVALS	DATE		
<input type="checkbox"/> LEVEL I		DRAWN pws	02/24/2004	SIZE A	DWG NO. 40563-11
<input checked="" type="checkbox"/> LEVEL II		CHECKED NAME	DATE	SCALE 1:1	SOLIDWORKS FORMAT
<input checked="" type="checkbox"/> LEVEL III		APPROVED NAME	DATE	REV B	
				SHEET 1 OF 1	

2

1