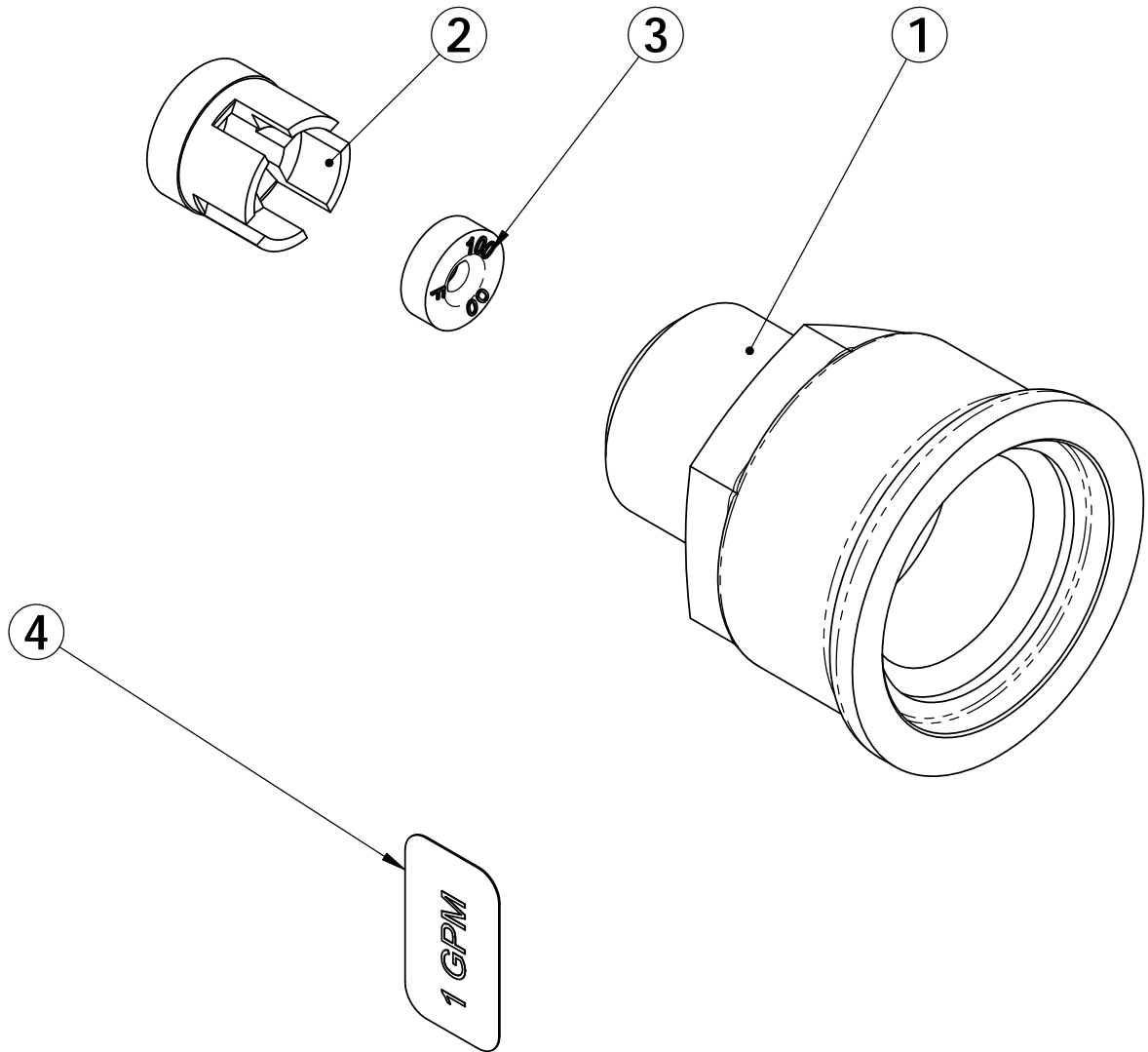


REVISIONS				
ECN	Rev.	Description	Date (dd/mm/yy)	Approved
	a	Redraw in Solidworks	4/12/12	CHT



ITEM	PN	DESCRIPTION	60010-25	60010-50	60010-100
1	BR17907	FITTING FLOW CONTROL	1	1	1
2	BR12098	RETAINER, FLOW CONTROL	1	1	1
3	BR12094	WASHER, FLOW CONTROL, .25 GPM	1	-	-
3	BR12095	WASHER, FLOW CONTROL, .50 GPM	-	1	-
3	BR12097	WASHER, FLOW CONTROL, 1.0 GPM	-	-	1
4	27998	LABEL .25 GPM BRINE FLOW	1	-	-
4	27999	LABEL .50 GPM BRINE FLOW	-	1	-
4	28000	LABEL 1 GPM BRINE FLOW	-	-	1



BLFC ASSY, 1650, PLASTIC (Specify Gpm)

60010-XX