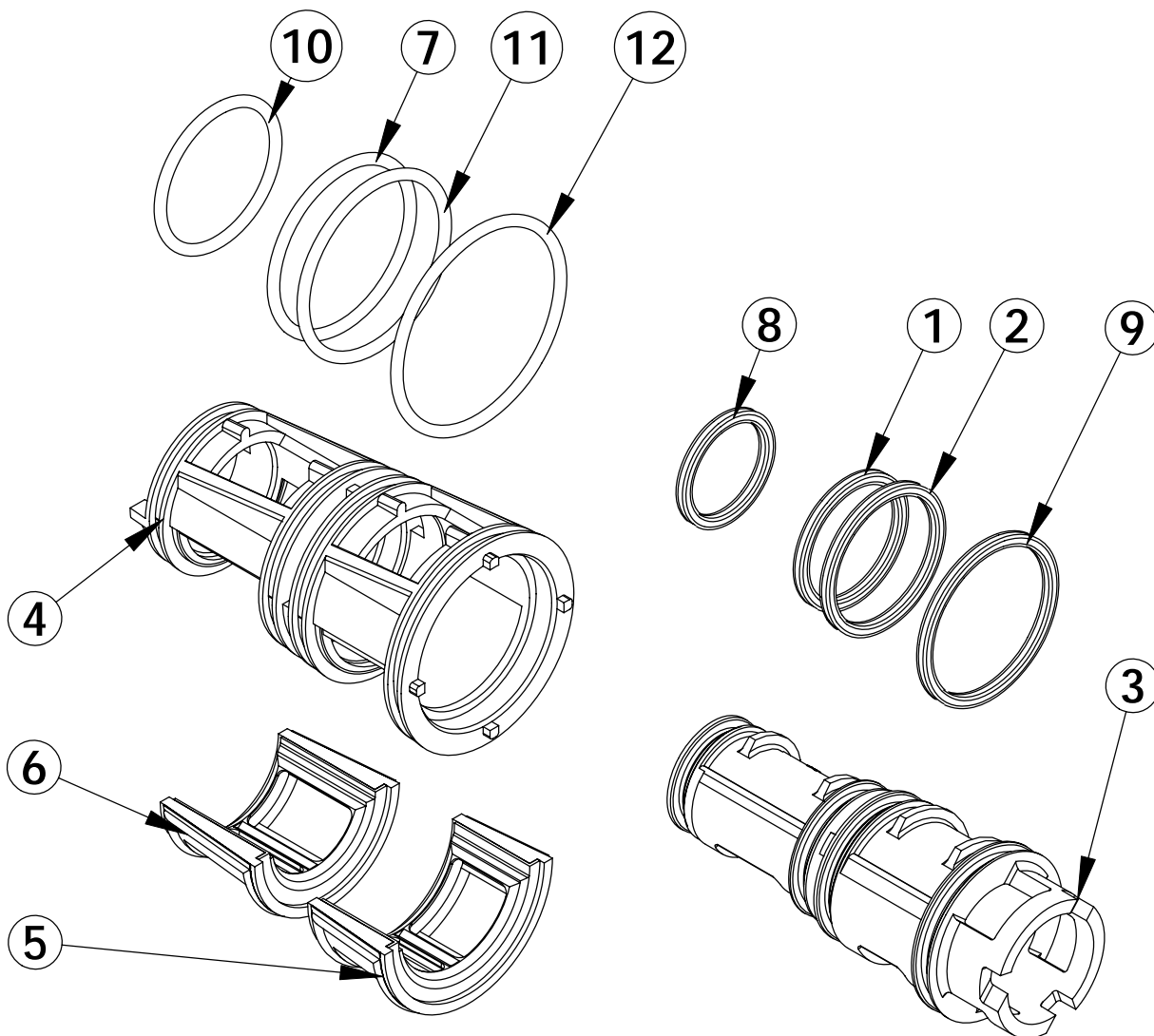


REVISIONS				
ECN	Rev.	Description	Date (dd/mm/yy)	Approved
	A	CREATED ON SOLIDWORKS	6/02/08	LD
F5265	B	OBSOLETE	03/02/2011	MP



**OBSOLETE
SEE ECO F5265**

ITEM	QTY	PART NO.	DESCRIPTION	NOM
1	1	18875	QUAD RING -121, MODIFIED	JOINT A LEVRES
2	1	18876	QUAD RING	JOINT A LEVRES
3	1	18782	PISTON, ROTOR, TWINFLO100	ROTOR
4	1	18783	CAGE, 8500	CAGE
5	1	BR19004	SEAL, INLET	
6	1	19005	SEAL, OUTLET	JOINT MOULE
7	1	19055	O-RING, -128	JOINT TORIQUE
8	1	BR18874	QUAD RING -118, MODIFIED	JOINT A LEVRES
9	1	BR18877	QUAD RING -126, MODIFIED	JOINT A LEVRES
10	1	BR19054	O-RING, -124	JOINT TORIQUE
11	1	BR19056	O-RING	JOINT TORIQUE
12	1	BR19057	O-RING	JOINT TORIQUE



PISTON ASSY 8500 LOWER

60147