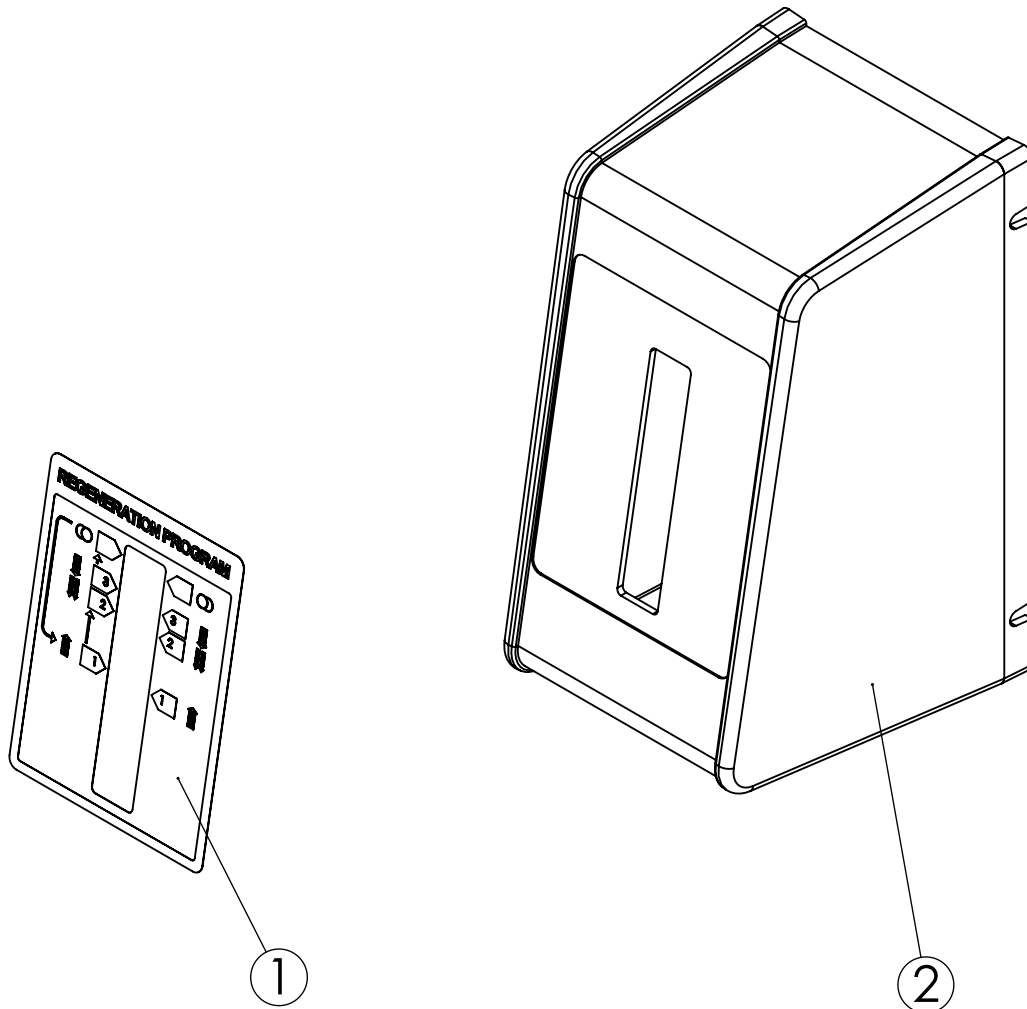


ITEM	QTY	PART NO.	DESCRIPTION	NOM
1	1	28442	MANUAL VALVE LABEL 2750 FILTER	ETIQUETTE VANNE 2750 FILTRE MANUELLE
2	1	41740	COVER, MANUAL CONTROL	CONVERCLE VANNE MANUELLE



ITEM	QTY	PART NO.	DESCRIPTION	NOM
1	1	28446	MANUAL VALVE LABEL 2750 SOFTENER	ETIQUETTE VANNE MANUEL 2750
2	1	41740	COVER, MANUAL CONTROL	CONVERCLE VANNE MANUELLE