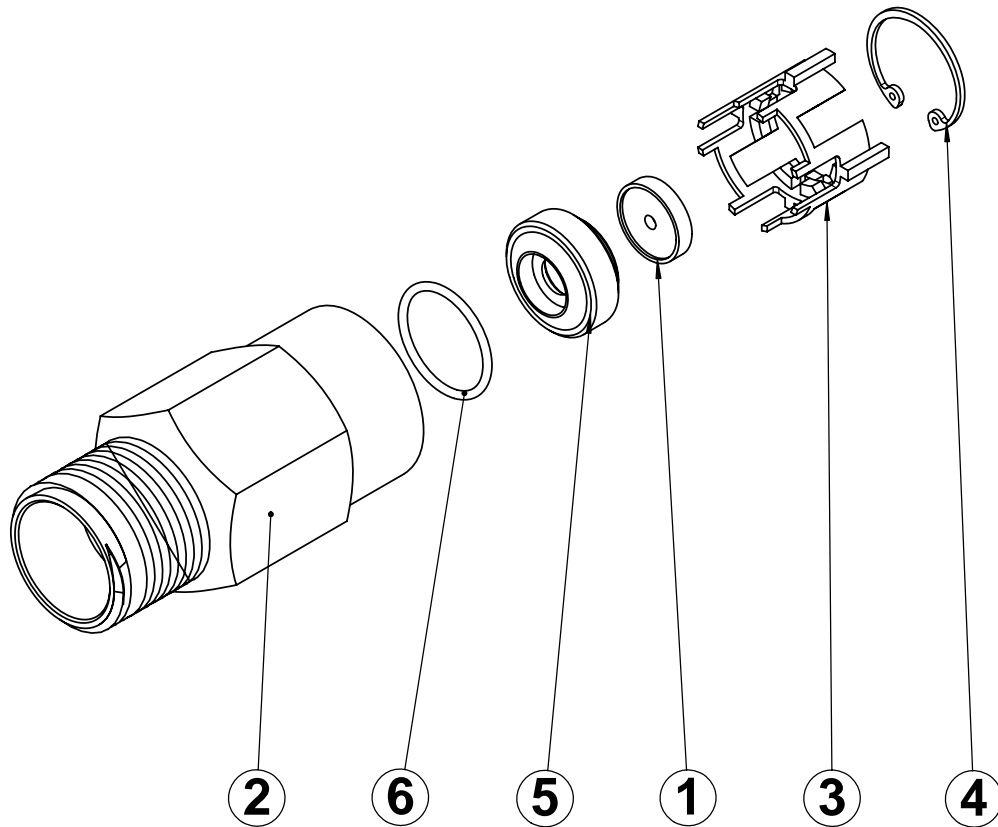


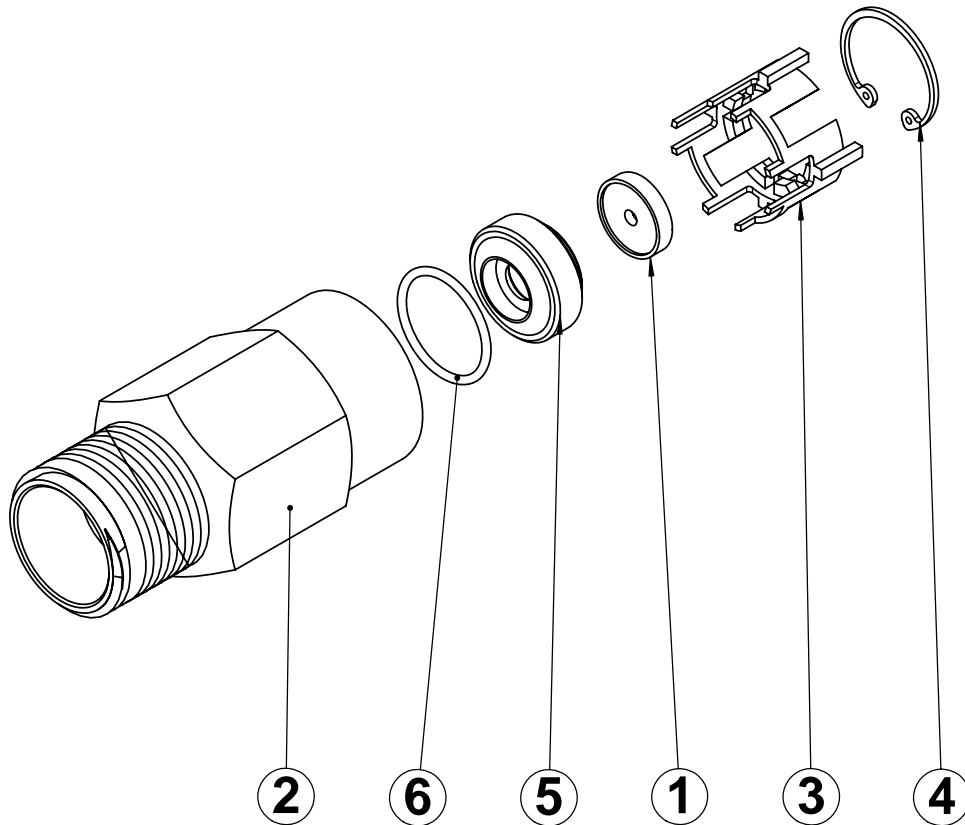
OBSOLETE SEE S/E 28388

ITEM	QTY	PART NO.	DESCRIPTION	NOM
1	1	12085	WASHER, FLOW CONTROL 1.2 GPM	RONDELLE 1.2 GPM
2	1	BR16530	FLOW CONTROL HOUSING	Corps BLFC
3	1	16738	FLOW CONTROL RETAINER	CAGE DE RETENUE
4	1	16805	RETAINING CLIP	CLIP DE RETENUE
5	1	19053	FLOW CONTROL HOUSING	FLOW CONTROL HOUSING
6	1	19292	O'RING -020	JOINT TORIQUE -020



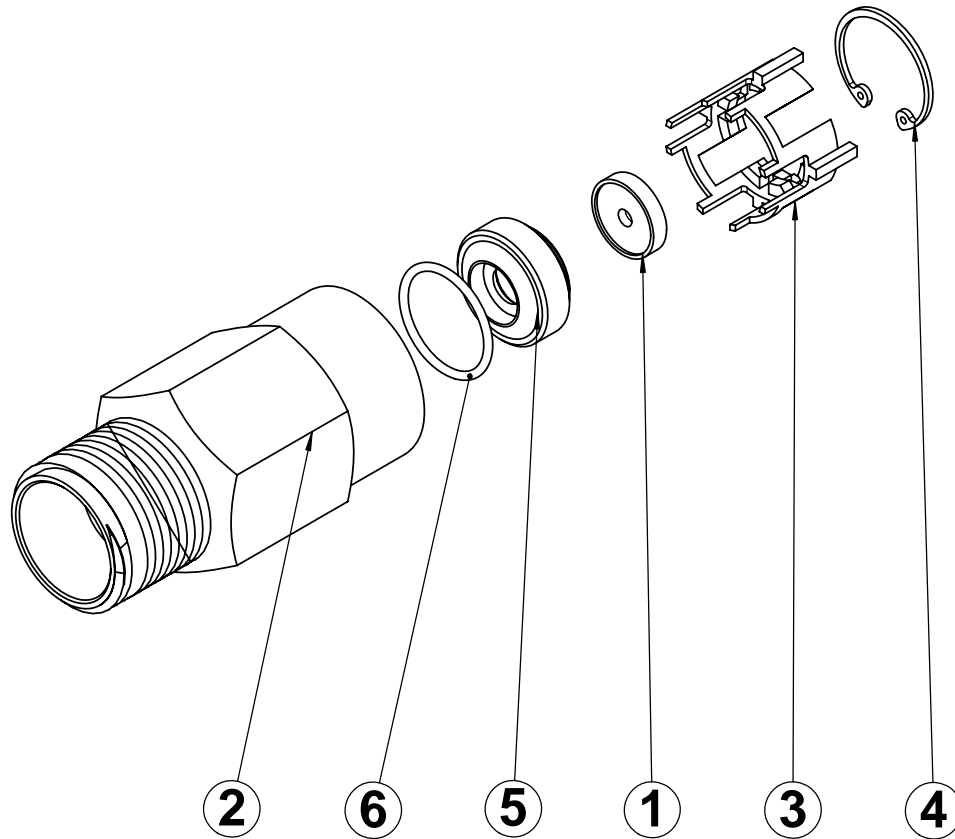
OBSOLETE SEE S/E 28388

ITEM	QTY	PART NO.	DESCRIPTION	NOM
1	1	12086	WASHER, FLOW CONTROL 1.5 GPM	RONDELLE 1.5 GPM
2	1	BR16530	FLOW CONTROL HOUSING	Corps BLFC
3	1	16738	FLOW CONTROL RETAINER	CAGE DE RETENUE
4	1	16805	RETAINING CLIP	CLIP DE RETENUE
5	1	19053	FLOW CONTROL HOUSING	FLOW CONTROL HOUSING
6	1	19292	O'RING -020	JOINT TORIQUE -020



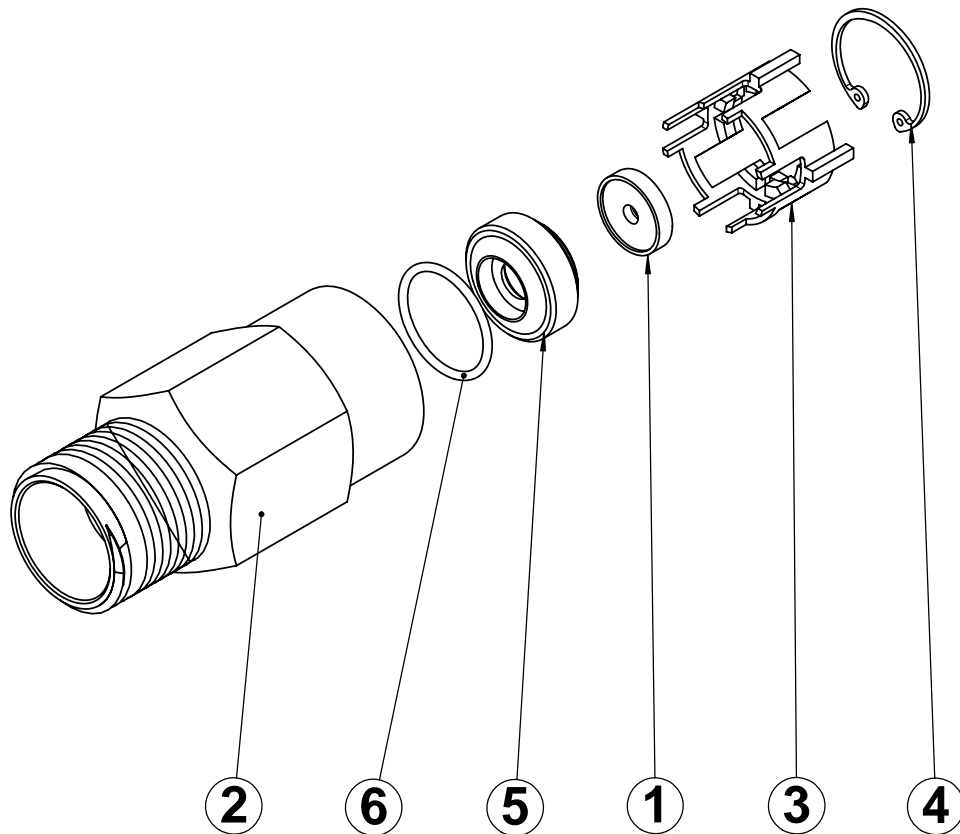
OBSOLETE SEE S/E 28388

ITEM	QTY	PART NO.	DESCRIPTION	NOM
1	1	12087	WASHER, FLOW CONTROL 2.0 GPM	RONDELLE 2.0 GPM
2	1	BR16530	FLOW CONTROL HOUSING	Corps BLFC
3	1	16738	FLOW CONTROL RETAINER	CAGE DE RETENUE
4	1	16805	RETAINING CLIP	CLIP DE RETENUE
5	1	19053	FLOW CONTROL HOUSING	FLOW CONTROL HOUSING
6	1	19292	O'RING -020	JOINT TORIQUE -020



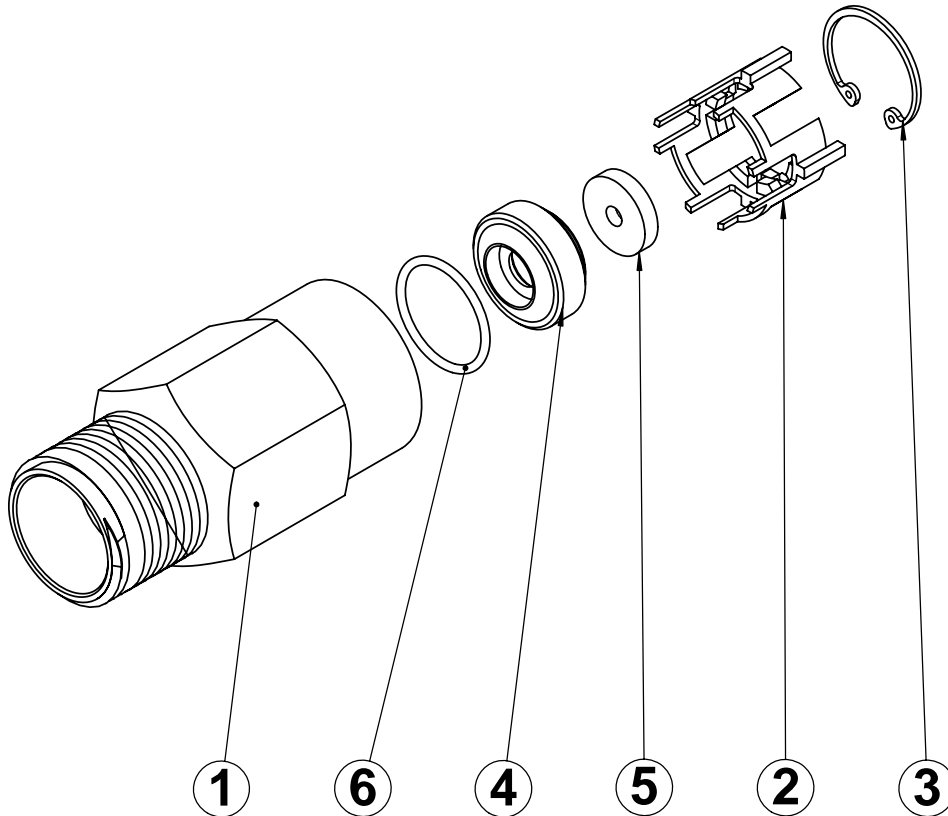
OBSOLETE SEE S/E 28388

ITEM	QTY	PART NO.	DESCRIPTION	NOM
1	1	12088	WASHER, FLOW CONTROL 2.4 GPM	RONDELLE 2.4 GPM
2	1	BR16530	FLOW CONTROL HOUSING	Corps BLFC
3	1	16738	FLOW CONTROL RETAINER	CAGE DE RETENUE
4	1	16805	RETAINING CLIP	CLIP DE RETENUE
5	1	19053	FLOW CONTROL HOUSING	FLOW CONTROL HOUSING
6	1	19292	O'RING -020	JOINT TORIQUE -020



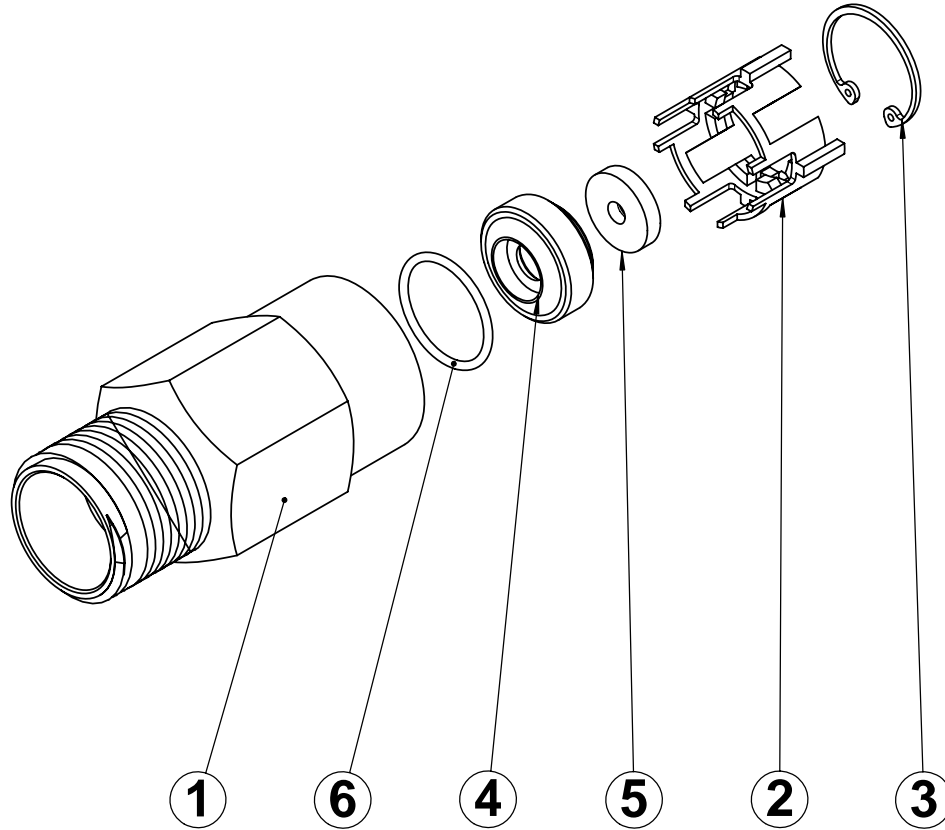
OBSOLETE SEE S/E 28388

ITEM	QTY	PART NO.	DESCRIPTION	NOM
1	1	12089	WASHER, FLOW CONTROL 3.0 GPM	RONDELLE 3.0 GPM
2	1	BR16530	FLOW CONTROL HOUSING	Corps BLFC
3	1	16738	FLOW CONTROL RETAINER	CAGE DE RETENUE
4	1	16805	RETAINING CLIP	CLIP DE RETENUE
5	1	19053	FLOW CONTROL HOUSING	FLOW CONTROL HOUSING
6	1	19292	O'RING -020	JOINT TORIQUE -020



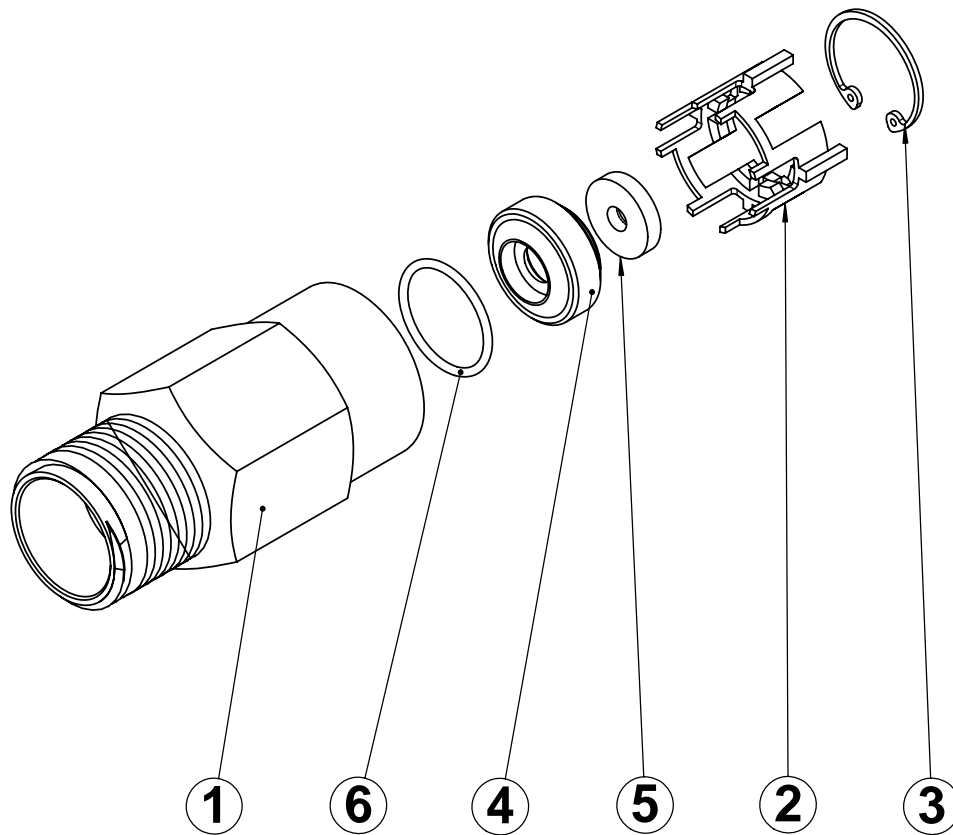
OBSOLETE SEE S/E 28388

ITEM	QTY	PART NO.	DESCRIPTION	NOM
1	1	BR16530	FLOW CONTROL HOUSING	Corps BLFC
2	1	16738	FLOW CONTROL RETAINER	CAGE DE RETENUE
3	1	16805	RETAINING CLIP	CLIP DE RETENUE
4	1	19053	FLOW CONTROL HOUSING	FLOW CONTROL HOUSING
5	1	12090	WASHER, FLOW CONTROL 3.5 GPM	RONDELLE 3.5 GPM
6	1	19292	O'RING -020	JOINT TORIQUE -020



OBSOLETE SEE S/E 28388

ITEM	QTY	PART NO.	DESCRIPTION	NOM
1	1	BR16530	FLOW CONTROL HOUSING	Corps BLFC
2	1	16738	FLOW CONTROL RETAINER	CAGE DE RETENUE
3	1	16805	RETAINING CLIP	CLIP DE RETENUE
4	1	19053	FLOW CONTROL HOUSING	FLOW CONTROL HOUSING
5	1	12091	WASHER, FLOW CONTROL 4.0 GPM	RONDELLE 4.0 GPM
6	1	19292	O'RING -020	JOINT TORIQUE -020



OBSOLETE SEE S/E 28388

ITEM	QTY	PART NO.	DESCRIPTION	NOM
1	1	BR16530	FLOW CONTROL HOUSING	Corps BLFC
2	1	16738	FLOW CONTROL RETAINER	CAGE DE RETENUE
3	1	16805	RETAINING CLIP	CLIP DE RETENUE
4	1	19053	FLOW CONTROL HOUSING	FLOW CONTROL HOUSING
5	1	12092	WASHER, FLOW CONTROL 5 GPM	RONDELLE 5 GPM
6	1	19292	O'RING -020	JOINT TORIQUE -020