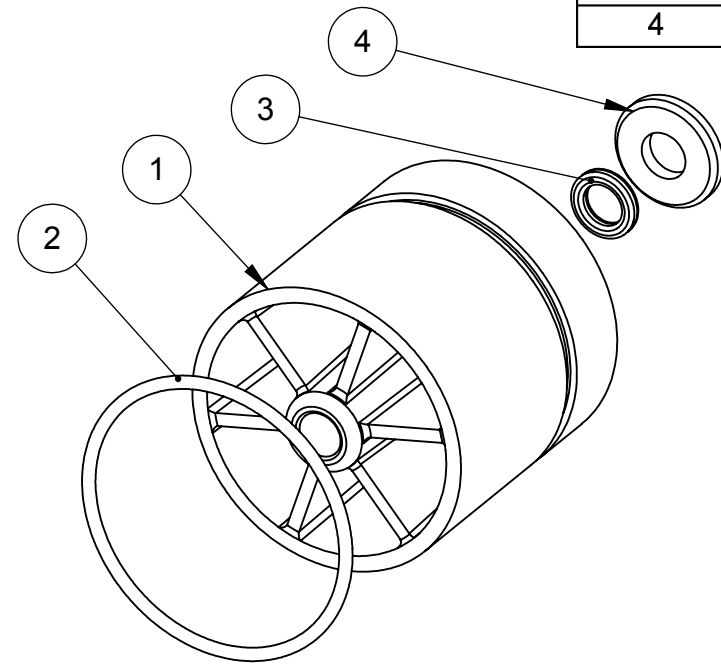


ITEM NO.	PART NUMBER	DESCRIPTION	Default/QTY.
1	BR16217	PLUG, END, 2850	1
2	BR16394	O-RING, -029	1
3	BR10209	QUAD RING, -010	1
4	13008	RETAINER, END PLUG SEAL	1

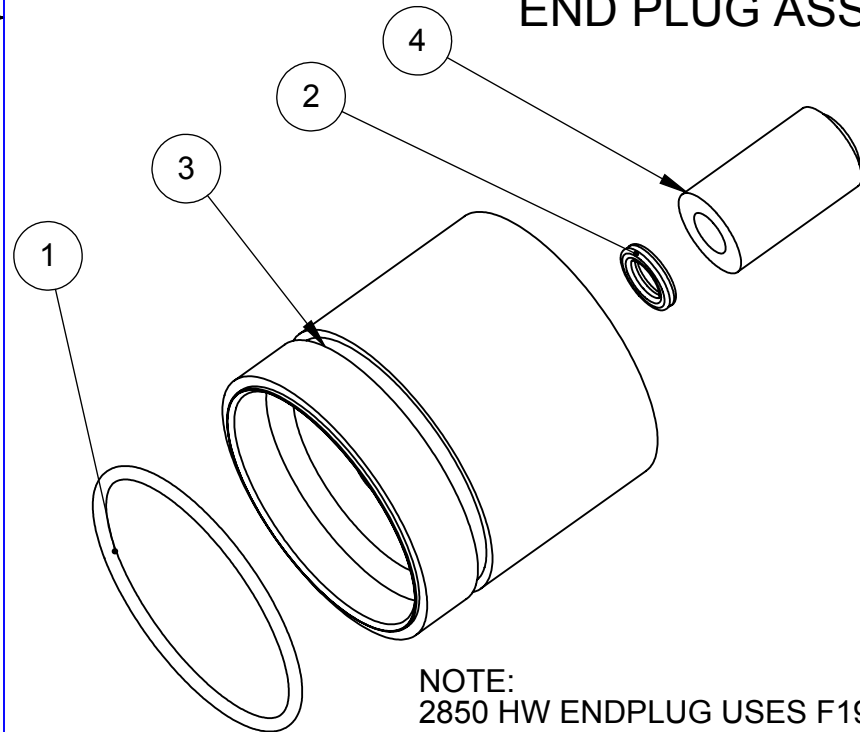
REVISIONS					
ZONE	ECN	REV.	DESCRIPTION	DATE	APP'D
	15369	A	CREATED ON SOLIDWORKS	12-18-06	JJR



BR16395
END PLUG ASSY, 2850

BR16395-02 - END PLUG ASSY, 2850, NHWBP
BR16395-021 - END PLUG ASSY, 2850, NHWBP, 560CD

BR16395-01
END PLUG ASSY, 2850, HOT WATER



NOTE:
2850 HW ENDPLUG USES F1972--C05 & C06 @100PSI

ITEM NO.	PART NUMBER	DESCRIPTION	BR16395-01/QTY.
1	BR16394	O-RING, -029	1
2	BR10209-01	QUAD RING, -010, 560CD	1
3	18852	PLUG, END, 2850, BRASS, HW 180 DEG	1
4	14453	BUSHING, END PLUG, HOT WATER	1

LAST SAVED IN SMARTEAM: 02/23/2007 08:29

CRITICALITY SYMBOLS PER QPSP-001.2

LEVEL I LEVEL II LEVEL III

THIS DOCUMENT IS SOLELY THE PROPERTY OF PENTAIR WATER TREATMENT. REPRODUCTION, USE DISCLOSURE, OR TRANSMISSION OF THIS DOCUMENT OR DETAILS CONTAINED HEREIN, IN PART OR IN WHOLE, IS PROHIBITED WITHOUT THE WRITTEN CONSENT OF PENTAIR WATER TREATMENT ENGINEERING. THIS DOCUMENT AND ANY COPIES SHALL BE RETURNED TO PENTAIR WATER TREATMENT UPON WRITTEN REQUEST.

DO NOT SCALE DRAWING. DIMS. ARE IN INCHES [mm]
INTERPRET DIMS AND TOLERANCES PER ASME Y14.5M -1994
UNLESS OTHERWISE SPECIFIED:
CORNER FILLETS R.005-.020 [-.127-.508]
TOLERANCES:
ANGLES: ± 1°
1 PLACE .X: ± .015 [0.38]
2 PLACE .XX: ± .01 [0.3]
3 PLACE .XXX: ± .005 [0.13]

ITEM NO.	PART NUMBER	DESCRIPTION	BR16395-02/QTY.	BR16395-021/QTY.
1	BR16217-02	PLUG, END, 2850, BLACK	1	1
2	BR16394	O-RING, -029	1	-
2	BR16394-01	O-RING, -029	-	1
3	BR10209	QUAD RING, -010	1	-
3	BR10209-01	QUAD RING, -010, 560CD	-	1
4	13008	RETAINER, END PLUG SEAL	1	1
5	19716	PLUG, END, 2850, BLACK	1	1

THIS DRAWING MUST BE COMPARED TO THE ERP SYSTEM TO ENSURE CORRECT REVISION LEVEL PRIOR TO USE.

THIRD ANGLE PROJECTION

Pentair Water Brookfield
P.O. BOX 730
BROOKFIELD, WI 53008-0730

APPROVALS	DATE
DRAWN rsm	12/18/2006
CHECKED NAME	DATE
APPROVED NAME	DATE

TITLE
END PLUG ASSY, 2850

SIZE **B** DWG NO. **BR16395** REV **A**

SCALE 1:1 SOLIDWORKS FORMAT SHEET 1 OF 1