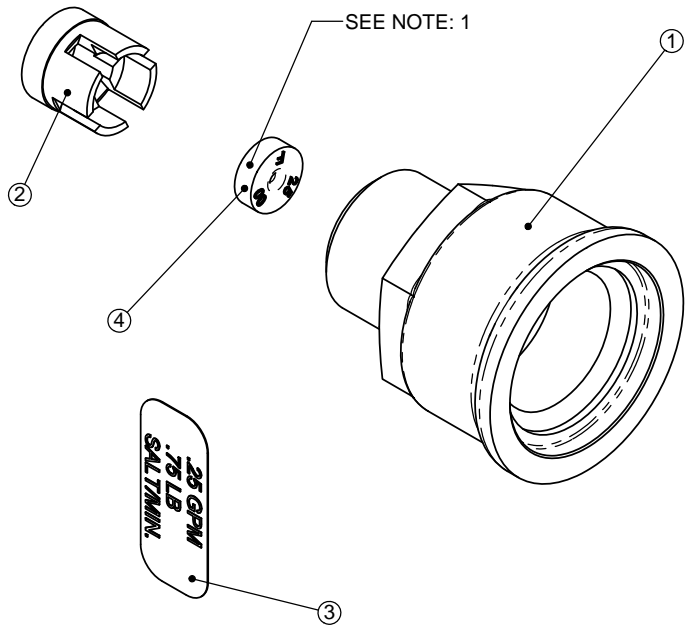


REVISIONS					
ZONE	ECN	REV.	DESCRIPTION	DATE	APP'D
	18368	A	RELEASE INTO THE SYSTEM	11-16-07	AB



NOTES: 1) FLOW WASHER -THE TEXT / RADIUS SIDE TO FACE THE RETAINER AS SHOWN.
2) LABELS ARE NOT SHOWN.

ITEM	PART NO	DESCRIPTION	BR60010-25/Quantité	BR60010-50/Quantité	BR60010-100/Quantité
1	BR17907	FITTING FLOW CONTROL	1	1	1
2	BR12098	RETAINER, FLOW CONTROL	1	1	1
3	BR12128	.25 GPM BLFC LABEL	1	-	-
	BR10759	.50 GPM BLFC LABEL	-	1	-
	BR10760	1.00 GPM BLFC LABEL	-	-	1
4	BR12094	WASHER, FLOW CONTROL, .25 GPM	1	-	-
	BR12095	WASHER, FLOW CONTROL, .50 GPM	-	1	-
	BR12097	WASHER, FLOW CONTROL, 1.0 GPM	-	-	1

LAST SAVED IN SMARTTEAM: 11/21/2007 08:23

CRITICALITY SYMBOLS PER QPSP-001.2
 LEVEL I LEVEL II LEVEL III

THIS DOCUMENT IS SOLELY THE PROPERTY OF PENTAIR WATER TREATMENT. REPRODUCTION, USE DISCLOSURE, OR TRANSMISSION OF THIS DOCUMENT OR DETAILS CONTAINED HEREIN, IN PART OR IN WHOLE, IS PROHIBITED WITHOUT THE WRITTEN CONSENT OF PENTAIR WATER TREATMENT ENGINEERING. THIS DOCUMENT AND ANY COPIES SHALL BE RETURNED TO PENTAIR WATER TREATMENT UPON WRITTEN REQUEST.

DO NOT SCALE DRAWING. DIMS. ARE IN INCHES [mm]
 INTERPRET DIMS AND TOLERANCES PER ASME Y14.5M -1994 UNLESS OTHERWISE SPECIFIED:
 CORNER FILLETS R.005-.020 [.127-.508]
 TOLERANCES:
 ANGLES: ± 1°
 1 PLACE .X: ± .015 [0.38]
 2 PLACE .XX: ± .01 [0.3]
 3 PLACE .XXX: ± .005 [0.13]

THE COMPONENT, PART, OR ASSEMBLY DESCRIBED IN THIS DOCUMENT MUST COMPLY WITH THE FOLLOWING EU (EUROPEAN UNION) DIRECTIVES: RoHS DIRECTIVE 2002/95/EC, WEE DIRECTIVE 2002/96/EC, AND ELV DIRECTIVE 2000/53/EC. THESE DIRECTIVES RESTRICT THE USE OF LEAD, CADMIUM, MERCURY, CHROMIUM, PBB, PBDE, AND OTHER HAZARDOUS MATERIALS. SEE THE TERMS AND CONDITIONS OF THE CONTRACT (PURCHASE ORDER) FOR MORE INFORMATION.
 THIS DRAWING MUST BE COMPARED TO THE ERP SYSTEM TO ENSURE CORRECT REVISION LEVEL PRIOR TO USE.

THIRD ANGLE PROJECTION		APPROVALS	DATE
DRAWN	NAME	DATE	11/16/2007
CHECKED	NAME	DATE	
APPROVED	NAME	DATE	

Pentair Water Brookfield
 P.O. BOX 730
 BROOKFIELD, WI 53008-0730

TITLE: **BLFC ASSY,1650, PLASTIC**

SIZE: **B** DWG NO.: **BR60010** REV: **A**

SCALE: 2:1 SOLIDWORKS FORMAT SHEET 1 OF 1