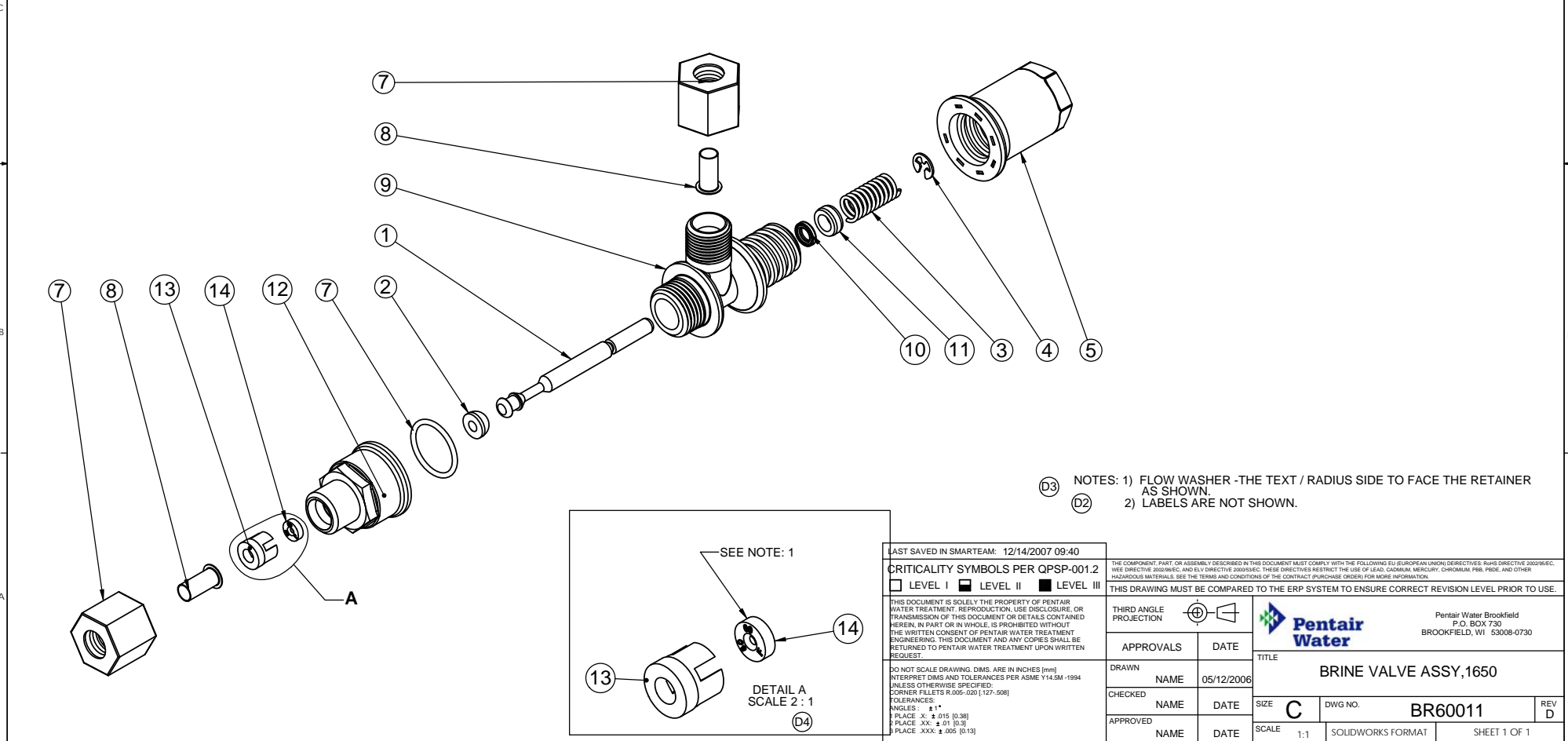


ITEM	PART NO.	DESCRIPTION	BR60011	BR60011-001	BR60011-021	BR60011-010	BR60011-020	BR60011-030	BR60011-090
1	BR12552	BRINE, VALVE STEM, 1600	1	1	1	1	1	1	1
2	BR12626	SEAT, BRINE VALVE	1	-	-	1	1	1	1
	BR12626-01	SEAT, BRINE VALVE	-	1	1	-	-	-	-
3	BR10249	SPRING, BRINE VALVE	1	1	1	1	1	1	1
4	BR10250	RING, RETAINING	1	1	1	1	1	1	1
5	BR17906	GUIDE, BRINE VALVE STEM	1	1	1	1	1	1	1
6	BR16924	O-RING, -.018	1	-	-	1	1	1	1
	BR16924-01	O-RING, -.018, 560CD	-	1	1	-	-	-	-
7	BR19625	3/8" PLASTIC NUT ASSY	2	2	2	2	2	2	2
8	BR10332	FITTING, INSERT, 3/8	2	2	2	2	2	2	-
9	BR17905	BODY, BRINE VALVE	1	1	1	1	1	1	1
10	BR12550	RING, QUAD -009	1	-	1	1	1	1	1
	BR12550-01	RING, QUAD -009	-	1	-	-	-	-	-
11	BR17908	SLEEVE, BRINE VALVE STEM	1	1	1	1	1	1	1
12	BR17907	FITTING FLOW CONTROL	-	-	1	1	1	1	1
13	BR12098	RETAINER, FLOW CONTROL	-	-	1	1	1	1	-
14	BR12095	WASHER, FLOW CONTROL, .50 GPM	-	-	1	-	1	-	-
	BR12094	WASHER, FLOW CONTROL, .25 GPM	-	-	-	1	-	-	-
	BR12097	WASHER, FLOW CONTROL, 1.0 GPM	-	-	-	-	1	-	-
15	BR12128	LABEL, .25 GPM BLFC	-	-	-	1	-	-	-
	BR10759	.50 GPM BLFC LABEL	-	-	1	-	1	-	-
	BR10760	LABEL, 1GPM, 3LBS SALT/MIN	-	-	-	-	-	1	-
16	BR16895	BAG, POLY 6" X 8"	1	1	-	-	-	-	-

REVISIONS					
ZONE	ECN	REV.	DESCRIPTION	DATE	APP'D
	15803	B	CREATED ON SOLIDWORKS. BOM CHANGE: 16924-01 WAS 16924 FOR ALL CONFIG.	05-12-06	TRK
	16173	C	RELEASED TO PRODUCTION	08-14-06	TRK
	16344	D	1-RECONFIGURED CHART ADD'D: BR60011-010, BR60011-020, BR60011-030, BR60011-090 2- WAS: PW10759, LABEL, NOT SHOW, 3- ADD'D: NOTES, 4- ADD'D: DETAIL-A	11-7-07	AB



NOTES: 1) FLOW WASHER - THE TEXT / RADIUS SIDE TO FACE THE RETAINER AS SHOWN.  
2) LABELS ARE NOT SHOWN.

LAST SAVED IN SMARTEAM: 12/14/2007 09:40		THE COMPONENT, PART, OR ASSEMBLY DESCRIBED IN THIS DOCUMENT MUST COMPLY WITH THE FOLLOWING EU (EUROPEAN UNION) DIRECTIVES: RoHS DIRECTIVE 2002/95/EC, WEEE DIRECTIVE 2002/96/EC, AND ELVD DIRECTIVE 2006/95/EC. THESE DIRECTIVES RESTRICT THE USE OF LEAD, CADMIUM, MERCURY, CHROMIUM VI, PBB, PFC, AND OTHER HAZARDOUS MATERIALS. SEE THE TERMS AND CONDITIONS OF THE CONTRACT (PURCHASE ORDER) FOR MORE INFORMATION.	
THIS DRAWING MUST BE COMPARED TO THE ERP SYSTEM TO ENSURE CORRECT REVISION LEVEL PRIOR TO USE.		THIRD ANGLE PROJECTION	
APPROVALS		DATE	
NAME		05/12/2006	
CHECKED		DATE	
NAME		DATE	
APPROVED		DATE	
NAME		DATE	
TITLE		BRINE VALVE ASSY, 1650	
SIZE		C	
DWG NO.		BR60011	
SCALE		1:1	
SOLIDWORKS FORMAT		SHEET 1 OF 1	