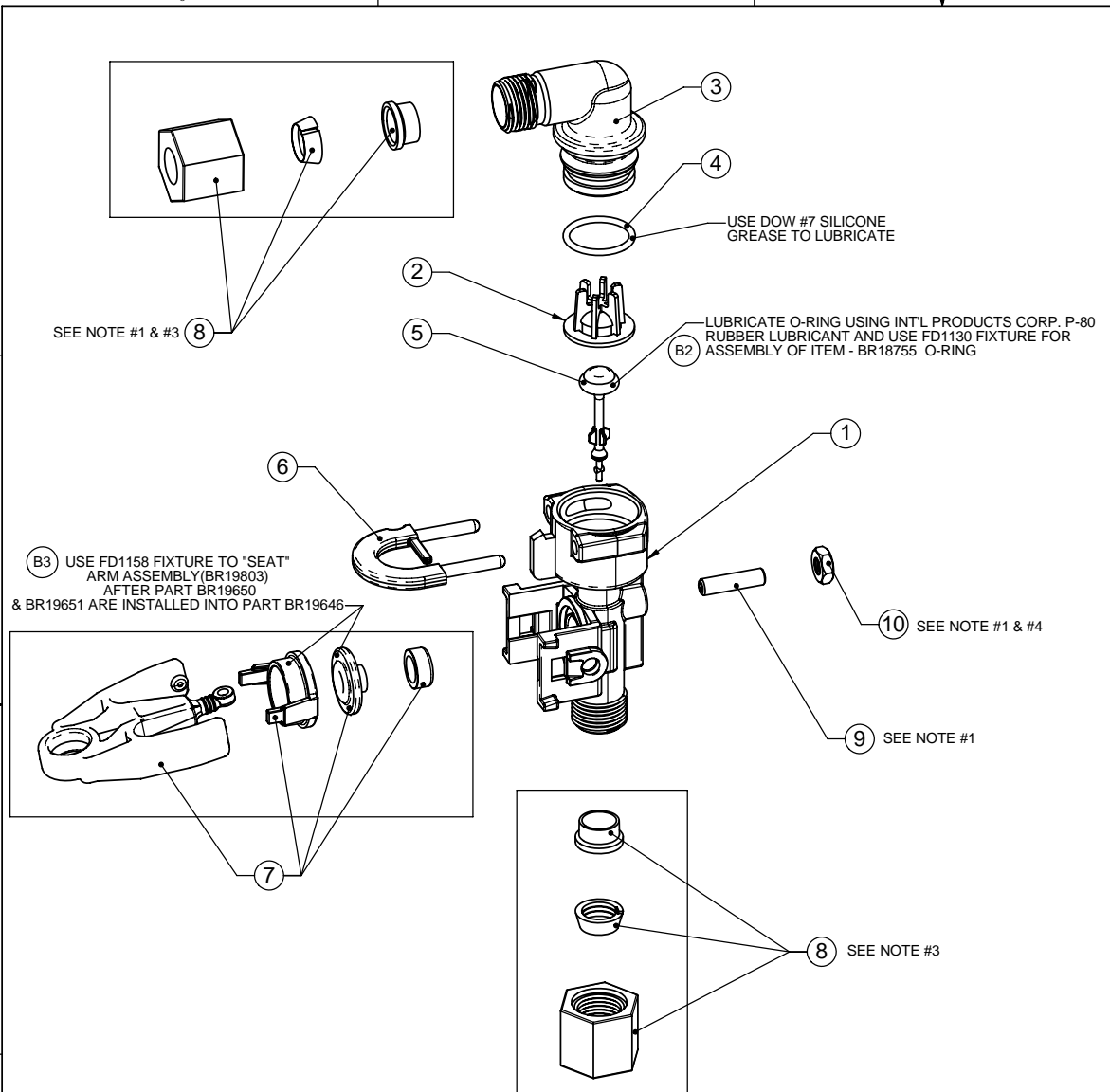


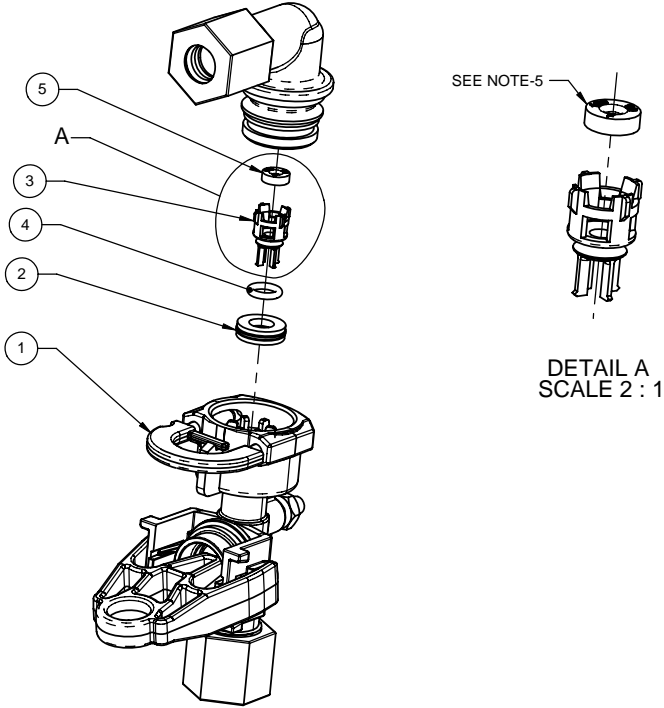
REVISIONS					
ZONE	ECN	REV.	DESCRIPTION	DATE	APP'D
	8979	A	CREATE DRAWING	6-25-02	JS
	18235	B	1-WAS NOTE 1 FOR 60014-01 VERSIONS, OMIT (1X) ITEM NUMBER 9 FROM ASSEMBLY, ITEM #9 & ITEM #10 2-WAS ASSEMBLY OF ITEM #10, 3-WAS USE FD1158 FIXTURE TO "SEAT" ARM ASSEMBLY AFTER ITEM #2 INSTALLED TO ITEM #1, 4-ADDED TITLE BLOCK TO REVISED VERSION	10-16-07	AB
	18340	C	1-INCORPORATED BR60014 & -01 INTO SAME BOM, 2-ADD'D BOM'S FOR BR60014 -25, -50, & -100, 3-ADD'D NOTES-3,4, 5, & 6	11-19-07	AB



BR60014 - SAFETY BRINE VALVE ASSY,2310
 BR60014-01 - SAFETY BRINE VALVE ASSY,2310
 LESS STUD/NUT/1 NUT ASSY,CUNO

ITEM NO.	PART NUMBER	DESCRIPTION	Default /QTY.	60014-01 /QTY.
1	19645	BODY, SAFETY BRINE VALVE, 2310	1	1
2	19649	FLOW DISPENSER	1	1
3	19647	ELBOW, SAFETY BRINE VALVE	1	1
4	BR11183-01	O-RING, -.017	1	1
5	19652-01	POPPET ASSY,SBV W/O-RING	1	1
6	13812	RETAINING CLIP	1	1
7	BR19803	ARM ASSY., SAFETY BRINE VALVE	1	1
8	19625	3/8" PLASTIC NUT ASSY	2	1
9	BR19804	SCREW, SOCKET SET, #10-24 X .75	1	-
10	BR19805	NUT, 10-24	1	-

- NOTES:
- (B1) 1. FOR 60014-01 VERSIONS, OMIT (1X)- BR19804 & BR19805.
 - 2. USE FD1190 FIXTURE TO WATER TEST. TEST PRESSURE TO BE 12-14 PSI.
 - (C3) 3. ITEM BR19625 TO BE INSTALLED 1/2 TO 1/4 TURN SHORT OF BEING FULLY INSTALLED. THE NUT MUST TURN FREELY.
 - 4. ITEM BR19805 TO BE INSTALLED HALF WAY DOWN THE STUD
 - 5. FLOW WASHER- TEXT/RADIUS SIDE TO FACE UP AS SHOWN
 - 6. LABELS ARE NOT SHOWN.



BR60014-25 SAFETY BRINE VALVE ASSY,2320, W/1.0 BLFC
 BR60014-50 SAFETY BRINE VALVE ASSY,2320, W/.50 BLFC
 BR60014-100 SAFETY BRINE VALVE ASSY,2320, W/.25 BLFC

ITEM NO.	PART NUMBER	DESCRIPTION	BR60014-25 /QTY.	BR60014-50 /QTY.	BR60014-100 /QTY.
1	BR60014	SAFETY BRINE VALVE ASSY,2310	1	1	1
2	BR19653	RETAINER, FLOW CONTROL	1	1	1
3	BR19334	RETAINER, FLOW WASHER, BLFC	1	1	1
4	BR10141	O-RING, -.010	1	1	1
5	BR12094	WASHER, FLOW CONTROL, .25 GPM	1	-	-
	BR12095	WASHER, FLOW CONTROL, .50 GPM	-	1	-
	BR12097	WASHER, FLOW CONTROL, 1.0 GPM	-	-	1
6	BR12128	LABEL, .25 GPM BLFC	1	-	-
	BR10759	LABEL, .5GPM, 1.5 LBS SALT/MIN	-	1	-
	BR10760	LABEL, 1GPM, 3LBS SALT/MIN	-	-	1
7	BR16895	BAG, POLY 6" X 8"	1	1	1

LAST SAVED IN SMARTTEAM: 11/21/2007 08:39

CRITICALITY SYMBOLS PER QPSP-001.2
 LEVEL I LEVEL II LEVEL III

THIS DRAWING MUST BE COMPARED TO THE ERP SYSTEM TO ENSURE CORRECT REVISION LEVEL PRIOR TO USE

THIRD ANGLE PROJECTION					
APPROVALS		DATE		TITLE	
DRAWN		04/17/2002		SAFETY BRINE VALVE ASSY,2310	
CHECKED		DATE		SIZE	DWG NO.
APPROVED		DATE		C	BR60014
				SCALE	1:1
				SOLIDWORKS FORMAT	
				SHEET 1 OF 1	

DO NOT SCALE DRAWING. DIMS. ARE IN INCHES (mm)
 INTERPRET DIMS AND TOLERANCES PER ASME Y14.5M - 1994
 UNLESS OTHERWISE SPECIFIED:
 CORNER FILLETS R.005-.020 (127-.508)
 TOLERANCES:
 ANGLES: ±1°
 1 PLACE .X ±.015 (0.38)
 2 PLACE .XX ±.01 (0.2)
 3 PLACE .XXX ±.005 (0.13)

THE COMPONENT, PART, OR ASSEMBLY DESCRIBED IN THIS DOCUMENT MUST COMPLY WITH THE FOLLOWING EU (EUROPEAN UNION) DIRECTIVES: RHM DIRECTIVE 2002/96/EC, WEEE DIRECTIVE 2002/95/EC, AND ALL APPLICABLE DIRECTIVES. THESE DIRECTIVES RESTRICT THE USE OF LEAD, CADMIUM, MERCURY, CHROMIUM VI, PBB, AND OTHER HAZARDOUS MATERIALS. SEE THE TERMS AND CONDITIONS OF THE CONTRACT (PURCHASE ORDER) FOR MORE INFORMATION.

THIS DRAWING MUST BE COMPARED TO THE ERP SYSTEM TO ENSURE CORRECT REVISION LEVEL PRIOR TO USE

THIRD ANGLE PROJECTION

APPROVALS DATE

DRAWN NAME 04/17/2002

CHECKED NAME DATE

APPROVED NAME DATE

DO NOT SCALE DRAWING. DIMS. ARE IN INCHES (mm)
 INTERPRET DIMS AND TOLERANCES PER ASME Y14.5M - 1994
 UNLESS OTHERWISE SPECIFIED:
 CORNER FILLETS R.005-.020 (127-.508)
 TOLERANCES:
 ANGLES: ±1°
 1 PLACE .X ±.015 (0.38)
 2 PLACE .XX ±.01 (0.2)
 3 PLACE .XXX ±.005 (0.13)

THE COMPONENT, PART, OR ASSEMBLY DESCRIBED IN THIS DOCUMENT MUST COMPLY WITH THE FOLLOWING EU (EUROPEAN UNION) DIRECTIVES: RHM DIRECTIVE 2002/96/EC, WEEE DIRECTIVE 2002/95/EC, AND ALL APPLICABLE DIRECTIVES. THESE DIRECTIVES RESTRICT THE USE OF LEAD, CADMIUM, MERCURY, CHROMIUM VI, PBB, AND OTHER HAZARDOUS MATERIALS. SEE THE TERMS AND CONDITIONS OF THE CONTRACT (PURCHASE ORDER) FOR MORE INFORMATION.

THIS DRAWING MUST BE COMPARED TO THE ERP SYSTEM TO ENSURE CORRECT REVISION LEVEL PRIOR TO USE

THIRD ANGLE PROJECTION

APPROVALS DATE

DRAWN NAME 04/17/2002

CHECKED NAME DATE

APPROVED NAME DATE

DO NOT SCALE DRAWING. DIMS. ARE IN INCHES (mm)
 INTERPRET DIMS AND TOLERANCES PER ASME Y14.5M - 1994
 UNLESS OTHERWISE SPECIFIED:
 CORNER FILLETS R.005-.020 (127-.508)
 TOLERANCES:
 ANGLES: ±1°
 1 PLACE .X ±.015 (0.38)
 2 PLACE .XX ±.01 (0.2)
 3 PLACE .XXX ±.005 (0.13)