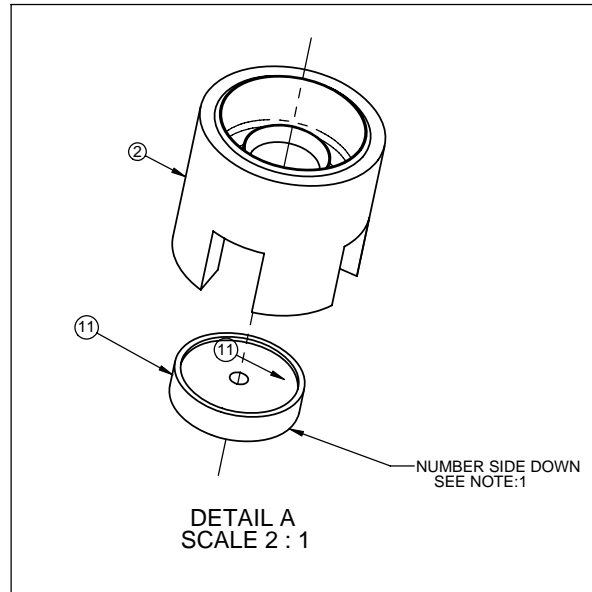
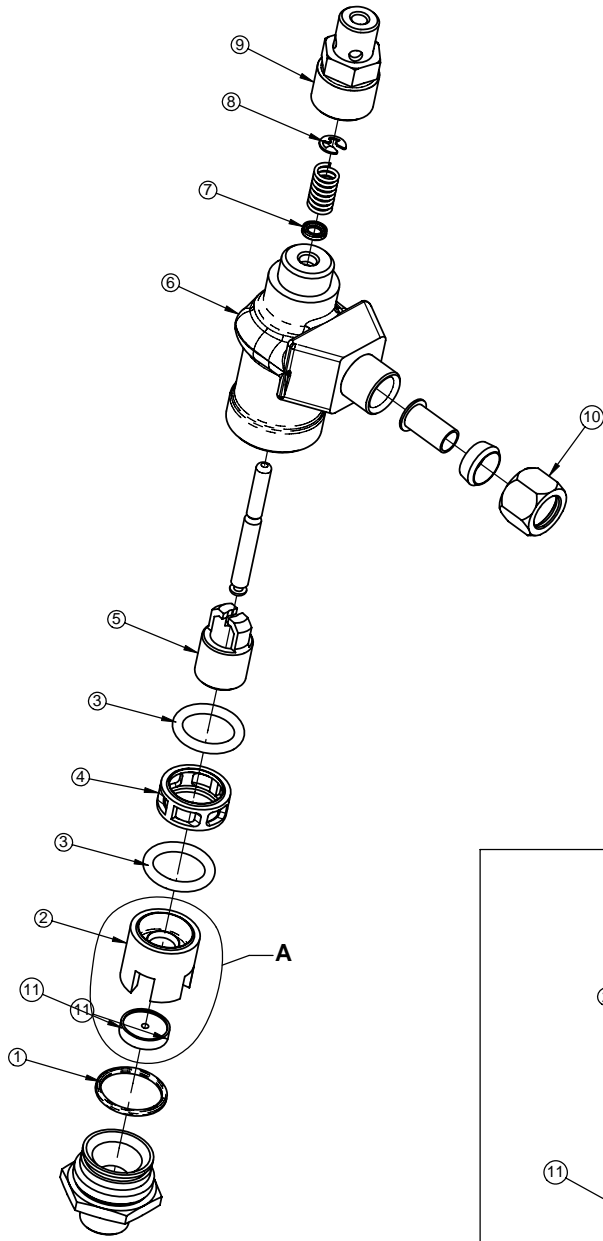


REVISIONS					
ZONE	ECN	REV.	DESCRIPTION	DATE	APPD
	15862	A	CREATED ASSEMBLY DRAWING	5-12-06	AB
	16012	B	ADDED: ITEM #30 "NUT, HOLDING"	6-13-06	AB
	18431	C	REDRAWN AND REVISED WITH SOLIDWORKS ASSEMBLIES. ONLY PARTS IN THE BOMS ARE IN THESE ASSEMBLIES.	12-10-07	AB

ITEM NO.	PART NUMBER	DESCRIPTION	BR60034-00 QTY	BR60034-10 QTY	BR60034-12 QTY	BR60034-15 QTY	BR60034-20 QTY	BR60034-21 QTY	BR60034-24 QTY	BR60034-30 QTY	BR60034-40 QTY	BR60034-50 QTY
1	BR13201	QUAD RING -020	1	1	1	1	1	-	1	1	1	1
1	BR13201-01	QUAD RING -020	-	-	-	-	-	1	-	-	-	-
2	14785-01	RETAINER, FLOW CONTROL	1	1	1	1	1	1	1	1	1	1
3	BR14811	O-RING, -210, 560CD	2	2	2	2	2	2	2	2	2	2
4	14798-us	SPACER, 2900	1	1	1	1	1	1	1	1	1	1
5	14795-us	PISTON, BRINE VALVE	1	1	1	1	1	1	1	1	1	1
6	BR14790	BRINE, VALVE BODY	1	1	1	1	1	1	1	1	1	1
7	BR12550	RING, QUAD -009	1	1	1	1	1	-	1	1	1	1
7	BR12550-01	RING, QUAD -009	-	-	-	-	-	1	-	-	-	-
8	BR10250	RING, RETAINING	1	1	1	1	1	1	1	1	1	1
9	15517	GUIDE, BRINE VALVE STEM	1	1	1	1	1	1	1	1	1	1
10	BR16123	NUT, BRASS	1	1	1	1	1	1	1	1	1	1
11	BR19151	WASHER, FLOW, 1.0 GPM	-	1	-	-	-	-	-	-	-	-
12	BR12085	WASHER, FLOW, 1.2 GPM	-	-	1	-	-	-	-	-	-	-
13	BR12086	WASHER, FLOW, 1.5 GPM	-	-	-	1	-	-	-	-	-	-
14	BR12087	WASHER FLOW, 2.0 GPM	-	-	-	-	1	1	-	-	-	-
15	BR14792	PLUG, END, BRINE VALVE	1	1	1	1	1	1	1	1	1	1
16	BR14797	BRINE VALVE STEM	1	1	1	1	1	1	1	1	1	1
17	BR15310	SPRING, BRINE VALVE	1	1	1	1	1	1	1	1	1	1
18	15415	FITTING, INSERT, 1/2", TUBE	1	1	1	1	1	1	1	1	1	1
19	BR16124	FITTING, SLEEVE, DELRIN	1	1	1	1	1	1	1	1	1	1
20	BR12088	WASHER FLOW, 2.4 GPM	-	-	-	-	-	-	1	-	-	-
21	BR12089	WASHER, FLOW, 3.0 GPM	-	-	-	-	-	-	-	1	-	-
22	BR12091	WASHER, FLOW, 4.0 GPM	-	-	-	-	-	-	-	-	1	-
23	BR12092	WASHER, FLOW, 5.0 GPM	-	-	-	-	-	-	-	-	-	1



OBSOLETE see ECO F5173
remplacé par 24181-xx et 18057-xx

NOTES:
1) FLOW WASHER: THE TEXT / RADIUS SIDE TO FACE AWAY FROM THE RETAINER AS SHOWN.

LAST SAVED IN SMARTTEAM: 12/17/2007 15:07		THIS DOCUMENT IS SOLELY THE PROPERTY OF PENTAIR WATER TREATMENT. REPRODUCTION, USE DISCLOSURE, OR TRANSMISSION OF THIS DOCUMENT OR DETAILS CONTAINED HEREIN, IN PART OR IN WHOLE, IS PROHIBITED WITHOUT THE WRITTEN CONSENT OF PENTAIR WATER TREATMENT ENGINEERING. THIS DOCUMENT AND ANY COPIES SHALL BE RETURNED TO PENTAIR WATER TREATMENT UPON WRITTEN REQUEST.		THE COMPONENT, PART, OR ASSEMBLY DESCRIBED IN THIS DOCUMENT MUST COMPLY WITH THE FOLLOWING EU (EUROPEAN UNION) DIRECTIVES: RoHS DIRECTIVE 2002/95/EC, WEEE DIRECTIVE 2002/96/EC, AND ELV DIRECTIVE 2000/53/EC. THESE DIRECTIVES RESTRICT THE USE OF LEAD, CADMIUM, MERCURY, CHROMIUM, PBB, PBDE, AND OTHER HAZARDOUS MATERIALS. SEE THE TERMS AND CONDITIONS OF THE CONTRACT (PURCHASE ORDER) FOR MORE INFORMATION.	
CRITICALITY SYMBOLS PER QPSP-001.2 <input type="checkbox"/> LEVEL I <input checked="" type="checkbox"/> LEVEL II <input type="checkbox"/> LEVEL III		THIS DRAWING MUST BE COMPARED TO THE ERP SYSTEM TO ENSURE CORRECT REVISION LEVEL PRIOR TO USE.		Pentair Water Brookfield P.O. BOX 730 BROOKFIELD, WI 53008-0730	
THIRD ANGLE PROJECTION		APPROVALS		TITLE	
DRAWN		NAME		BRINE VALVE, 1700	
CHECKED		DATE		SIZE B DWG NO. BR60034	
APPROVED		NAME		SCALE 1:1 SOLIDWORKS FORMAT SHEET 1 OF 1	
		DATE		REV C	