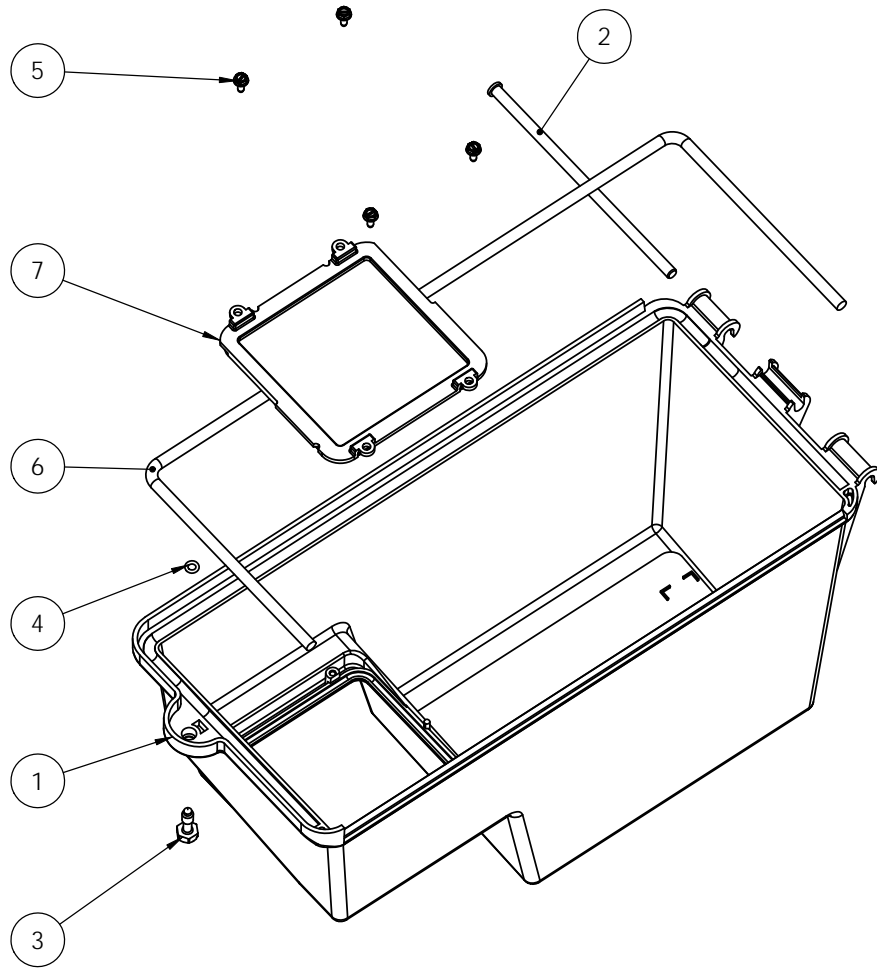
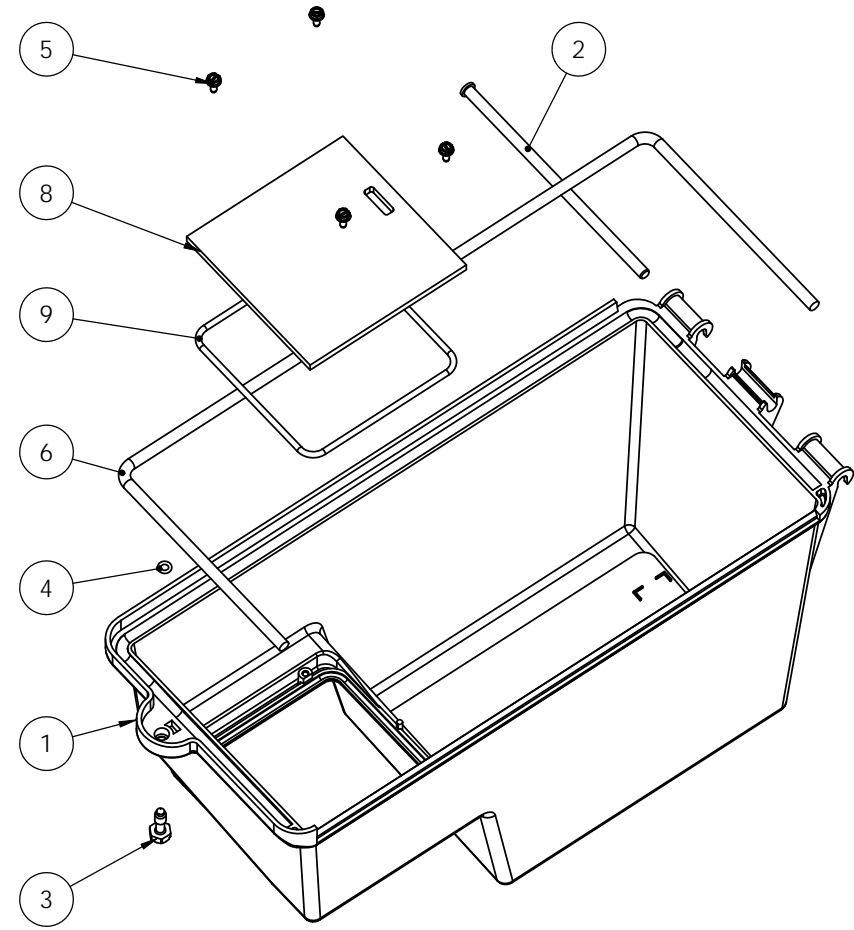


REVISIONS				
ECN	Rev.	Description	Date (dd/mm/yy)	Approved
E21389	J	BR17845-03 was BR18745-03	22/05/12	Man



BR60240-02, BR60240-05, BR60240-32



BR60240-22 & BR60240-25

ITEM	P/N	DESCRIPTION	BR60240-02	BR60240-05	BR60240-32	BR60240-22	BR60240-25
1	19277-020	COVER, BLACK, NEMA 3R	1	-	1	1	-
1	19277-050	COVER, NEMA 3R-GRAY (GY7062)	-	1	-	-	1
2	17845-03	PIN, HINGE	1	1	1	1	1
3	19813	SCREW, COVER-SPECIAL	1	1	1	1	1
4	41536	O-RING, #008	1	1	1	1	1
5	BR17020	SCREW, HEX WASHER HEAD, #6-20 X .38	4	4	4	4	4
6	18716(27.12")	SEAL, .250 OD	1	1	1	1	1
7	BR41556	WINDOW, ENVIRONMENTAL; CLEAR	1	1	-	-	1
7	41556-12	WINDOW, ENVIRONMENTAL; BLACK	-	-	1	-	-
8	19316	WINDOW, COVER,3900	-	-	-	1	1
9	18615(16.10")	SEAL, .125 OD	-	-	-	1	1

BR60240-02 - COVER ASSY,3150/3900,ENV,BLACK

BR60240-05 - COVER ASSY,3150,ENV,GRAY; "ENGINEERING DRAWINGS ONLY" FOR FLECK EUROPE

BR60240-22 - COVER ASSY,3900,LOWER,ENV, BLACK

BR60240-25 - COVER ASSY,3900,LOWER,ENV,GRAY; "ENGINEERING DRAWINGS ONLY" FOR FLECK EUROPE

BR60240-32 - COVER ASSY, 3150/3900, ENV, BLACK, W/ BLACK WINDOW



COVER ASSY,3150/3900, ENV

BR60240