

4

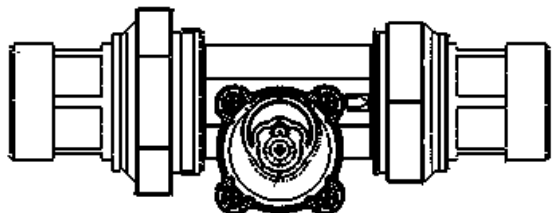
3

2

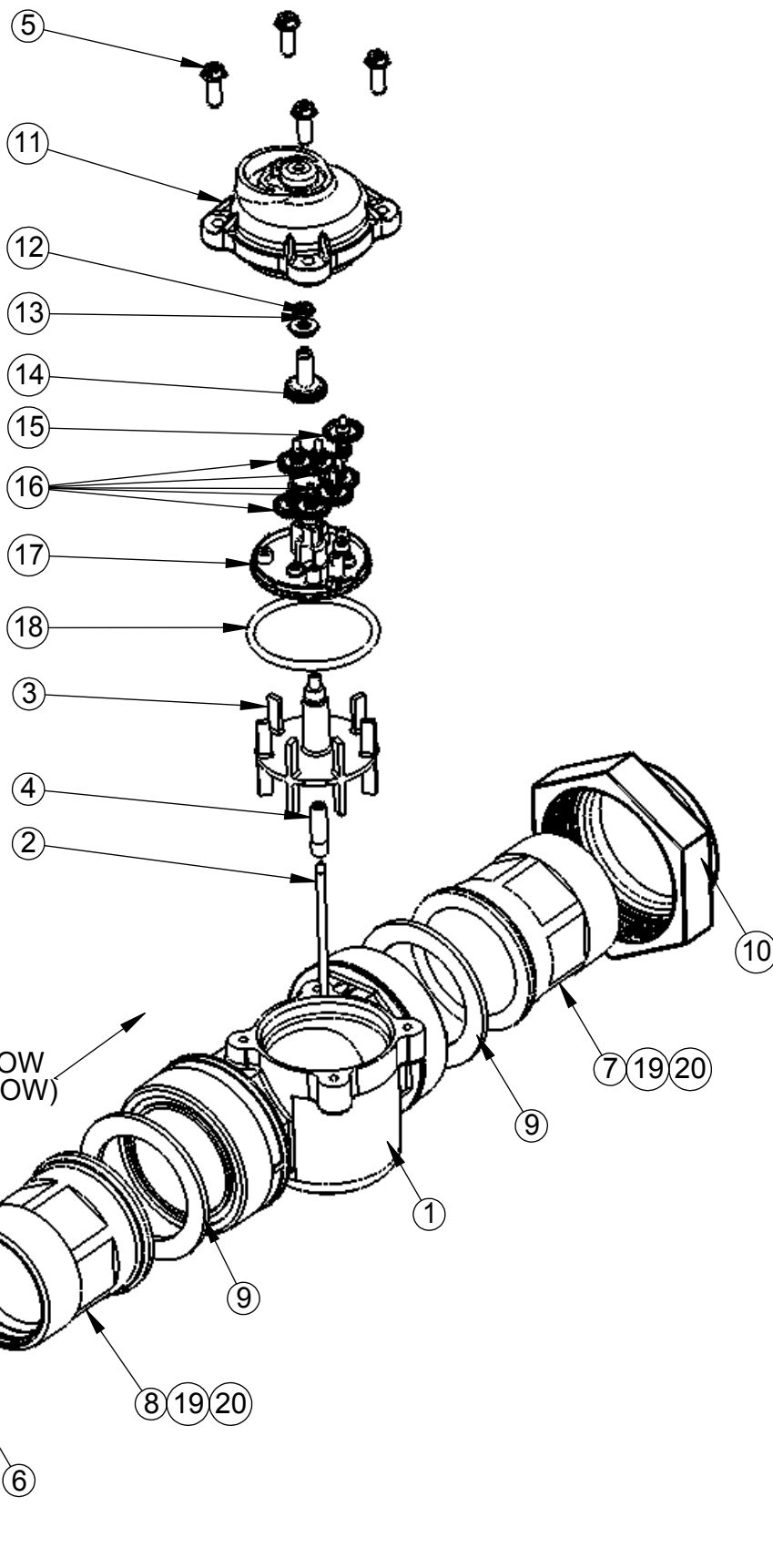
1

REVISIONS

ZONE	ECN	REV.	DESCRIPTION	DATE	APP'D
	12363	A	CREATED ON SOLIDWORKS	5-10-04	AB
PAGE 2	13815	B	ADD TO NOTE 7: PER DRAWING 61500-METERFIC	4-28-05	AB
	15879	C	ADDED 60620-01 & 60620-11; 41616 WAS 17988	11-07-06	AB
	16762	D	REVISED PER MARKUP DRAWING	02-01-07	AB



SCALE 1:4



SCALE 1:3

ITEM NO.	PART NUMBER	DESCRIPTION	BR60620 QTY.	BR60620-10 QTY.	BR60620-01 QTY.	BR60620-11 QTY.
1	17689	BODY, METER, 2"	1	1	1	1
2	15432	SHAFT,IMPELLER,SS	1	1	1	1
3	15374-01	IMPELLER, 2" METER	1	1	1	1
4	15381	PLUG, IMPELLER, 2" METER	1	1	1	1
5	12473	SCREW,HEX WASHER HEAD, #10-24 X .625	4	4	4	4
6	14680	FLOW STRAIGHTENER	1	1	1	1
7	17987-000	FITTING,NIPPLE, 2", PLASTIC,NPT	1	-	-	-
7	17987-100	FITTING,NIPPLE, 2", PLASTIC,BSP	-	1	-	-
8	17987-001	FITTING,NIPPLE, 2", PLASTIC,MACHINED	1	-	-	-
8	17987-101	FITTING, NIPPLE,2" BSP, MACHINED	-	1	-	-
9	40666	SEAL, FACE, 2" PLASTIC ME	2	2	2	2
10	41616	NUT, 2" METER	2	2	2	2
11	BR40986	CAP, METER	1	1	1	1
12	17711	SEAL, LIP	1	1	1	1
13	13832	RETAINER, SEAL	1	1	1	1
14	40180	GEAR,OUTPUT,METER	1	1	1	1
15	13825	GEAR ASSY,METER CHANGE LEVEL	1	1	1	1
16	BR13510	GEAR,IDLER	6	6	6	6
17	BR41055	PLATE,INTERMEDIATE	1	1	1	1
18	13847	O-RING, -137	1	1	1	1
19	14568-01	FITTING,NIPPLE,2"	-	-	2	-
20	14568-11	FITTING,NIPPLE,2"	-	-	-	2

LAST SAVED IN SMARTTEAM:

CRITICALITY SYMBOLS PER QPSP-001.2

LEVEL I
 LEVEL II
 LEVEL III

THIS DOCUMENT IS SOLELY THE PROPERTY OF PENTAIR WATER TREATMENT. REPRODUCTION, USE DISCLOSURE, OR TRANSMISSION OF THIS DOCUMENT OR DETAILS CONTAINED HEREIN, IN PART OR IN WHOLE, IS PROHIBITED WITHOUT THE WRITTEN CONSENT OF PENTAIR WATER TREATMENT ENGINEERING. THIS DOCUMENT AND ANY COPIES SHALL BE RETURNED TO PENTAIR WATER TREATMENT UPON WRITTEN REQUEST.

DO NOT SCALE DRAWING. DIMS. ARE IN INCHES [mm]
 INTERPRET DIMS AND TOLERANCES PER ASME Y14.5M -1994
 UNLESS OTHERWISE SPECIFIED:
 CORNER FILLETS R.005-.020 [.127-.508]
 TOLERANCES:
 ANGLES: ± 1°
 1 PLACE .X: ± .015 [0.38]
 2 PLACE .XX: ± .01 [0.3]
 3 PLACE .XXX: ± .005 [0.13]

THE COMPONENT, PART, OR ASSEMBLY DESCRIBED IN THIS DOCUMENT MUST COMPLY WITH THE FOLLOWING EU (EUROPEAN UNION) DEIRECTIVES: RoHS DIRECTIVE 2002/95/EC, WEE DIRECTIVE 2002/96/EC, AND ELV DIRECTIVE 2000/53/EC. THESE DIRECTIVES RESTRICT THE USE OF LEAD, CADMIUM, MERCURY, CHROMIUM, PBB, PBDE, AND OTHER HAZARDOUS MATERIALS. SEE THE TERMS AND CONDITIONS OF THE CONTRACT (PURCHASE ORDER) FOR MORE INFORMATION.

THIS DRAWING MUST BE COMPARED TO THE ERP SYSTEM TO ENSURE CORRECT REVISION LEVEL PRIOR TO USE.

THIRD ANGLE PROJECTION



Pentair Water Brookfield
 P.O. BOX 730
 BROOKFIELD, WI 53008-0730

APPROVALS	DATE
-----------	------

DRAWN	rsm	05/10/2004
-------	-----	------------

CHECKED	NAME	DATE
---------	------	------

APPROVED	NAME	DATE
----------	------	------

TITLE
**METER ASSY, 2" INLN,STD,
 PLAS,PDL**

SIZE **B** DWG NO. **BR60620** REV **D**

SCALE 1:3 SOLIDWORKS FORMAT SHEET 1 OF 2