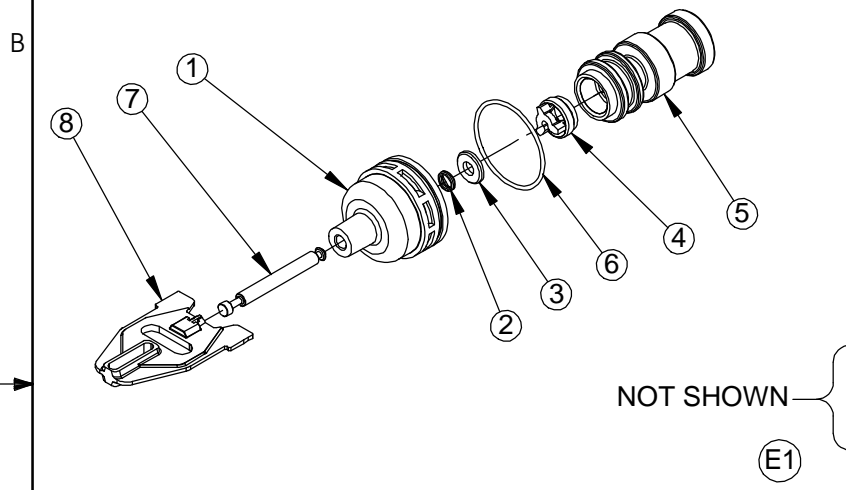


2

1

REVISIONS					
ZONE	ECN	REV.	DESCRIPTION	DATE	APP'D
	11439	B	RELEASE FOR PRODUCTION	09-26-03	PWS
	12084	C	C1 ADD P/N 16895, C2 ADD NOTE 4	03-01-04	PWS
	15759	D	UPDATED SOLIDWORKS ASSEMBLY MATES; REDREW EXPLODED VIEW; NO DESIGN CHANGES	05-18-06	STM
	31409	E	1-ADD'D TORQUE TABLE, & BR16895, BR42371, BR42371-C 2-REM'D NOTE-4	19OCT10	AB



ITEM NO.	PART NUMBER	DESCRIPTION	QTY.
1	BR40975-01	PLUG, END,STD,BLACK	1
2	BR10209-01	QUAD RING, -010	1
3	BR13008	RETAINER, END PLUG SEAL	1
4	BR14309	RETAINER, PISTON ROD	1
5	BR41082	PISTON,DOWNFLOW,28GPM,7000	1
6	BR40952	O-RING, -030	1
7	BR41039	ROD, PISTON	1
8	BR41032	LINK, PLASTIC	1
9	BR16895	BAG,POLY 7" X 8"	1
10	BR42371	PACKAGING,TUBE,PISTON, 2 1/2"	1
11	BR42371-C	CAP,PACKAGING, PISTON,2 1/2"	1

SCREW TORQUE TABLE

ITEM NO.	PART NUMBER	DESCRIPTION	REQ'D TORQUE
4	BR14309	RETAINER,PISTON ROD	8 IN-LB ±10%

NOTES:

1. PARTS TO BE ASSEMBLED
2. ASSEMBLY TO BE INSERTED IN BAG P/N 16895
3. USE SERVICE ASSEMBLY ACCEPTANCE ID LABEL.

THIS DRAWING MUST BE COMPARED TO THE ERP SYSTEM TO ENSURE CORRECT REVISION LEVEL PRIOR TO USE.

THE COMPONENT, PART, OR ASSEMBLY DESCRIBED IN THIS DOCUMENT MUST COMPLY WITH THE EU (EUROPEAN UNION) DIRECTIVE: RoHS DIRECTIVE 2002/95/EC.

LAST SAVED IN SMARTTEAM
11/10/2010 1:48:12 PM

CRITICALITY SYMBOLS PER QPSP-001.2

LEVEL I
 LEVEL II
 LEVEL III

THIS DOCUMENT IS SOLELY THE PROPERTY OF PENTAIR WATER TREATMENT. REPRODUCTION, USE DISCLOSURE, OR TRANSMISSION OF THIS DOCUMENT OR DETAILS CONTAINED HEREIN, IN PART OR IN WHOLE, IS PROHIBITED WITHOUT THE WRITTEN CONSENT OF PENTAIR WATER TREATMENT ENGINEERING. THIS DOCUMENT AND ANY COPIES SHALL BE RETURNED TO PENTAIR WATER TREATMENT UPON WRITTEN REQUEST.

DO NOT SCALE DRAWING. DIMS. ARE IN INCHES [mm]
INTERPRET DIMS AND TOLERANCES PER ASME Y14.5M -1994 UNLESS OTHERWISE SPECIFIED:
CORNER FILLETS R.005-.020 [.127-.508]
TOLERANCES:
ANGLES : ± 1°
1 PLACE .X: ± .015 [0.38]
2 PLACE .XX: ± .01 [0.3]
3 PLACE .XXX: ± .005 [0.13]

THIRD ANGLE PROJECTION

APPROVALS	DATE
DRAWN	
CHECKED	
APPROVED	

Pentair Water Pentair Residential Filtration

TITLE: PISTON ASSY,7000,SOFTENER,D/F 28GPM

SIZE: **A** DWG NO. **BR61453-10** REV **E**

SCALE: 1:4 SOLIDWORKS FORMAT SHEET 1 OF 1

2

1