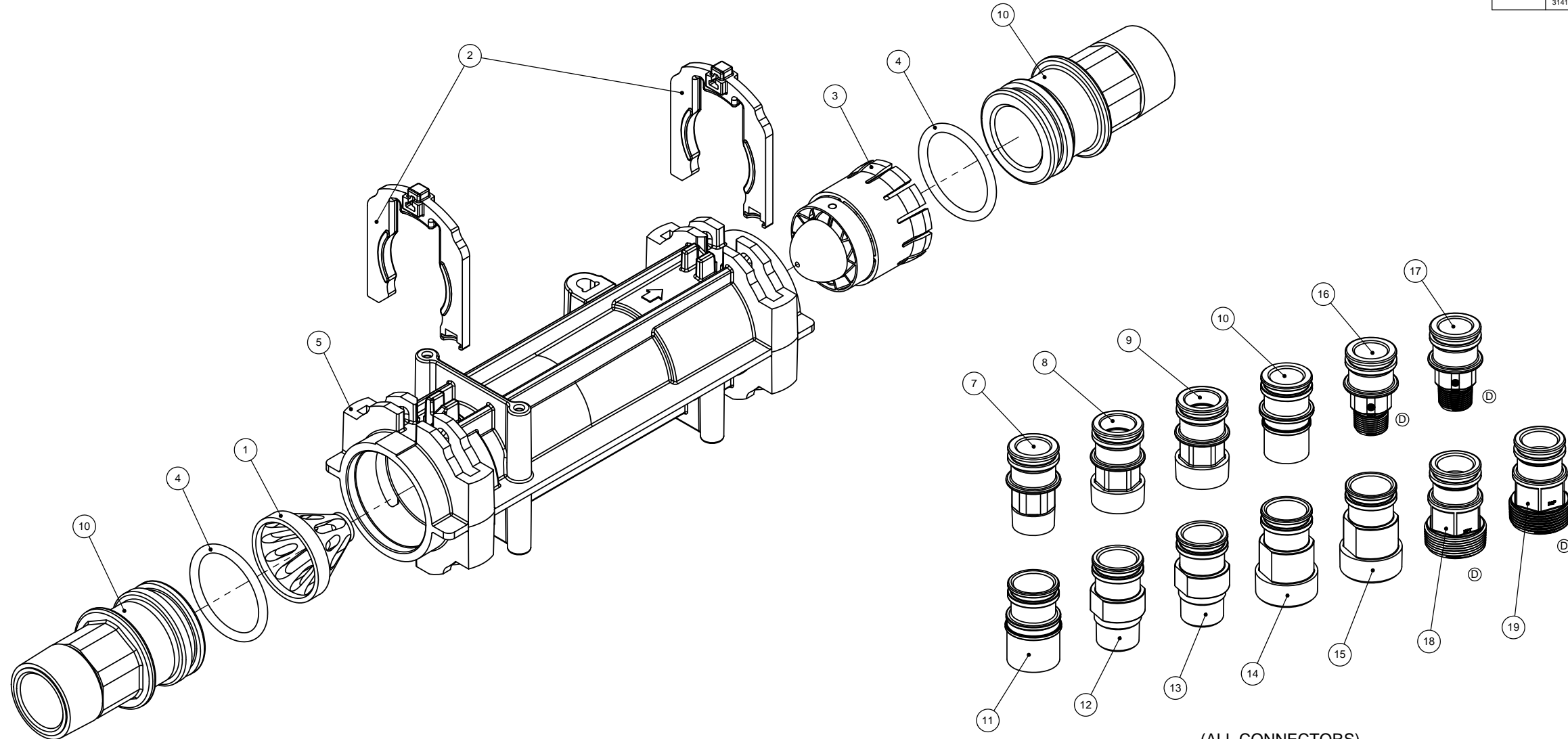
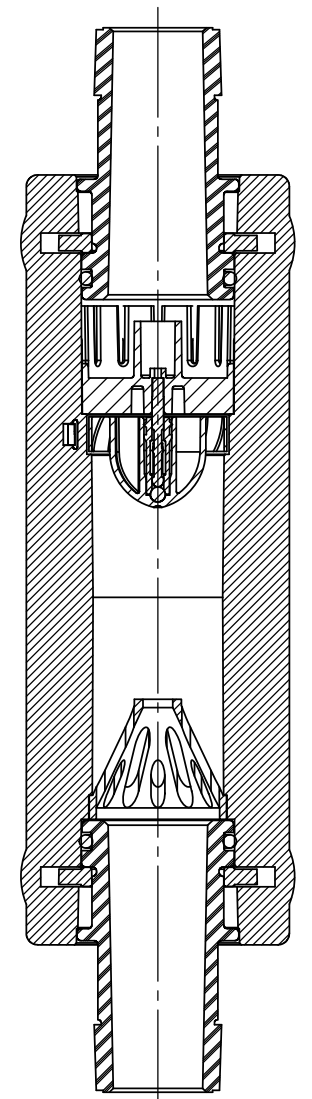


REVISIONS					
ZONE	ECN	REV.	DESCRIPTION	DATE	APP'D
	13557	A	RELEASE FOR PRE-PRODUCTION.	03/03/05	TLE
	13683	B	RELEASE FOR PRODUCTION.	03/28/05	TLE
	16968	C	RENAMED ALL ASSEMBLIES, AND ADDED TITLES TO ASSEMBLY STEPS	02/13/07	AB
	18001	D	ADDED ASSYS -11, -12, -13, -14, ADDED ITEMS 16, 17, 18, 19	09-07-07	STM
	31418	E	ADDED EXPLODE LINES IN VIEW	10-21-10	AB



(ALL CONNECTORS)



SECTION A-A

ITEM NO.	PART NO.	DESCRIPTION	61560 QTY.	61560-01 QTY.	61560-02 QTY.	61560-03 QTY.	61560-04 QTY.	61560-05 QTY.	61560-06 QTY.	61560-07 QTY.	61560-08 QTY.	61560-09 QTY.	61560-10 QTY.	61560-11/QTY.	61560-12/QTY.	61560-13/QTY.	61560-14/QTY.
1	BR17542	FLOW STRAIGHTENER, 1 1/2"	1	1	1	1	1	1	1	1	1	1	1	1	1	1	1
2	BR40576	CLIP, H, PLASTIC, 7000	2	2	2	2	2	2	2	2	2	2	2	2	2	2	2
3	BR40577	TURBINE METER ASSY, 7000	1	1	1	1	1	1	1	1	1	1	1	1	1	1	1
4	40951	O-RING, -220	-	2	2	2	2	2	2	2	2	2	2	2	2	2	2
5	BR41555	BODY, IN-LINE METER	1	1	1	1	1	1	1	1	1	1	1	1	1	1	1
6	BR42414	CONNECTOR, 3/4" NPT, 7000	-	-	-	-	-	-	-	-	-	-	2	-	-	-	-
7	BR42414-10	CONNECTOR, 3/4" BSP, 7000	-	-	-	-	-	-	-	-	-	-	-	2	-	-	-
8	BR42241	CONNECTOR, 1.5" NPT, 7000	-	-	-	-	-	-	-	-	-	-	-	-	2	-	-
9	BR42241-10	CONNECTOR, 1.5" BSP, 7000	-	-	-	-	-	-	-	-	-	-	-	-	-	-	3
10	BR40563	CONNECTOR, 1" NPT, 7000	-	2	-	-	-	-	-	-	-	-	-	-	-	-	-
11	40563-10	CONNECTOR, 1" BSP, 7000	-	-	2	-	-	-	-	-	-	-	-	-	-	-	-
12	BR40565	CONNECTOR, 1 1/4" NPT, 7000	-	-	-	2	-	-	-	-	-	-	-	-	-	-	-
13	40565-10	CONNECTOR, 1 1/4" BSP, 7000	-	-	-	-	2	-	-	-	-	-	-	-	-	-	-
14	BR41242	CONNECTOR, 1" & 1 1/4" SWEAT, 7000	-	-	-	-	-	2	-	-	-	-	-	-	-	-	-
15	BR41243	CONNECTOR, 1 1/4" & 1 1/2" SWEAT, 7000	-	-	-	-	-	-	2	-	-	-	-	-	-	-	-
16	BR41596	CONNECTOR, BRASS, 1" NPT	-	-	-	-	-	-	-	2	-	-	-	-	-	-	-
17	41596-10	CONNECTOR, BRASS, 1" BSP	-	-	-	-	-	-	-	-	2	-	-	-	-	-	-
18	BR41597	CONNECTOR, BRASS, 1 1/2" NPT	-	-	-	-	-	-	-	-	-	2	-	-	-	-	-
19	41597-10	CONNECTOR, BRASS, 1 1/2" BSP	-	-	-	-	-	-	-	-	-	-	2	-	-	-	-

LAST SAVED IN SMARTERAM/15/2010 10:50:49 AM

CRITICALITY SYMBOLS PER QPSP-001.2  
 LEVEL I    LEVEL II    LEVEL III

THIS DOCUMENT IS SOLELY THE PROPERTY OF PENTAIR WATER TREATMENT. REPRODUCTION, USE, DISCLOSURE, OR TRANSMISSION OF THIS DOCUMENT OR DETAILS CONTAINED HEREIN, IN PART OR IN WHOLE, IS PROHIBITED WITHOUT THE WRITTEN CONSENT OF PENTAIR WATER TREATMENT ENGINEERING. THIS DOCUMENT AND ANY COPIES SHALL BE RETURNED TO PENTAIR WATER TREATMENT UPON WRITTEN REQUEST.

DO NOT SCALE DRAWING. DIMS. ARE IN INCHES (mm) UNLESS OTHERWISE SPECIFIED.  
 1 PLACE .XX ± 0.15 (0.38)  
 2 PLACE .XX ± 0.1 (0.3)  
 3 PLACE .XXX ± 0.05 (0.13)  
 TOLERANCES:  
 ANGLES: ± 1°

THIS DRAWING MUST BE COMPARED TO THE ERP SYSTEM TO ENSURE CORRECT REVISION LEVEL PRIOR TO USE.

THIRD ANGLE PROJECTION	APPROVALS	DATE		Pentair Water Brookfield P.O. BOX 730 BROOKFIELD, WI 53008-0730
DRAWN TLE	DATE	3/3/2005 2		
CHECKED NAME	DATE			
APPROVED NAME	DATE		TITLE	METER ASSY, INLN, ELEC, PLAS TURB
SCALE 1:1	DWG NO.	BR61560	REV E	SHEET 1 OF 2