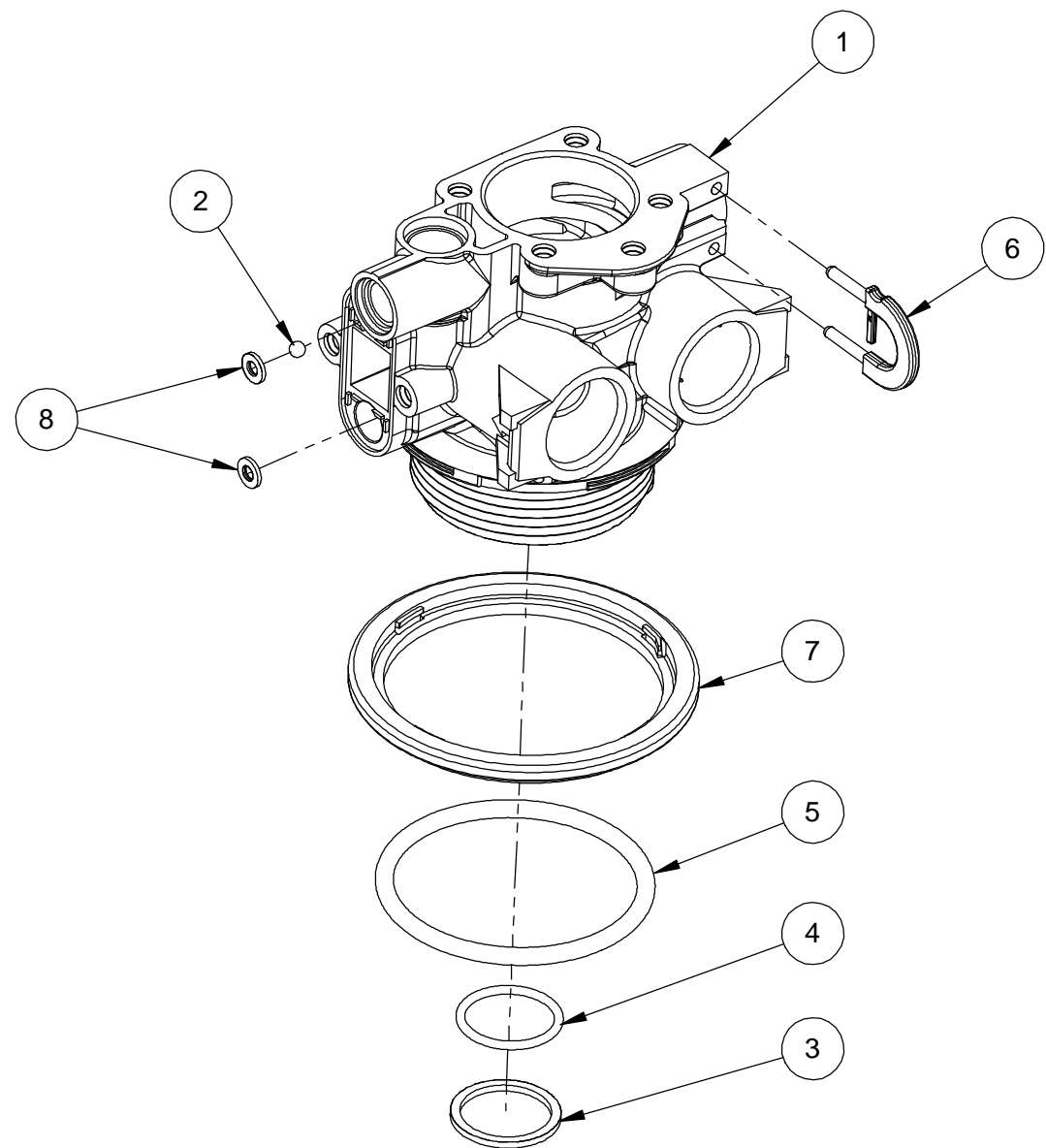


REVISIONS					
ZONE	ECN	REV.	DESCRIPTION	DATE	APP'D
	100372	A	RELEASE DRAWING INTO SYSTEM.	03-20-12	pws
	100631	B	RELEASE FOR PRODUCTION	05-18-12	pws



ITEM NO.	BR61857-01 QTY.	BR61857-20 MIXING OPTION QTY.	PART NUMBER	DESCRIPTION
1	1	-	BR43319	VALVE BODY, 5800
1	-	1	BR43319-02	VALVE BODY, 5800
2	1	1	BR11482	BALL, 3/16"
3	1	1	BR13030	RETAINER, DISTRIBUTOR
4	1	1	BR13304	O-RING, -121
5	1	1	BR18303	O-RING, -336
6	1	1	BR18312	RETAINER, DRAIN
7	1	1	BR18569	RETAINER, TANK SEAL
8	2	2	BR18762	RETAINER, BALL, 4200/5000

<p>THIS DOCUMENT IS SOLELY THE PROPERTY OF PENTAIR RESIDENTIAL FILTRATION, LLC. REPRODUCTION, USE DISCLOSURE, OR TRANSMISSION OF THIS DOCUMENT OR DETAILS CONTAINED HEREIN, IN PART OR IN WHOLE, IS PROHIBITED WITHOUT THE WRITTEN CONSENT OF PENTAIR RESIDENTIAL FILTRATION, LLC ENGINEERING. THIS DOCUMENT AND ANY COPIES SHALL BE RETURNED TO PENTAIR RESIDENTIAL FILTRATION, LLC UPON REQUEST.</p> <p>DO NOT SCALE DRAWING. DIMS. ARE IN INCHES [mm] INTERPRET DIMS AND TOLERANCES PER ASME Y14.5M -2009 UNLESS OTHERWISE SPECIFIED:</p> <p>TOLERANCES: ANGLES: ± 1° 1 PLACE .X: 2 PLACE .XX: 3 PLACE .XXX:</p>	<p>THIRD ANGLE PROJECTION</p>	Pentair Residential Filtration, LLC		
	<p>APPROVALS</p> <p>PWS</p>	<p>DATE</p> <p>03-20-12</p>	<p>TITLE</p> <p>VALVE BODY ASSY, 5800</p>	
	<p>APPROVED</p>		<p>SIZE</p> <p>B</p>	<p>DWG NO.</p> <p>BR61857</p>
	<p>CHECKED</p>		<p>SCALE</p> <p>1:2</p>	<p>REV</p> <p>B</p>
			<p>SHEET 1 OF 1</p>	