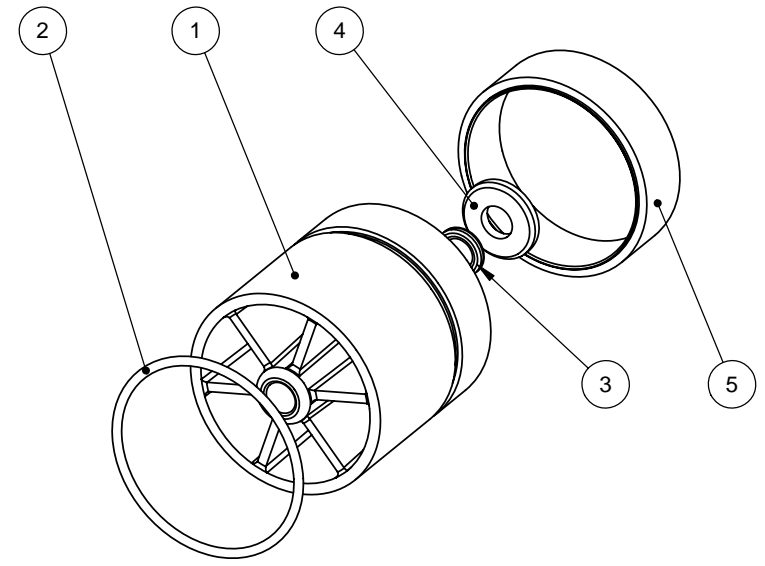
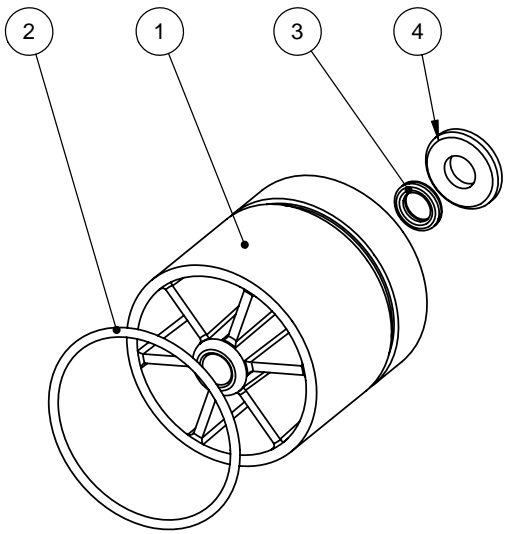


REVISIONS				
ECN	Rev.	Description	Date (dd/mm/yy)	Approved
F5157	A	BU16395 replace BR16395 (Edo) * BU16395-021 replace BR16395-021 (Edo)	3/05/10	MAN



ITEM	PART NO	DESCRIPTION	QTY
1	BR16217-00	PLUG, END, 2850, NATURAL	1
2	BU16394-01	O-RING, -029, 560CD	1
3	BR10209-01	QUAD RING, -010, 560CD	1
4	BU13008	RETAINER, END PLUG SEAL	1

**BU16395**  
**END PLUG ASSY, 2850**  
*(replace BR16395)*

ITEM	PART NO	DESCRIPTION	BU16395-021/Quantité
1	16217-02	PLUG, END, 2850, BLACK	1
2	BU16394-01	O-RING, -029, 560CD	1
3	BR10209-01	QUAD RING, -010, 560CD	1
4	BU13008	RETAINER, END PLUG SEAL	1
5	19716	PLUG, END, 2850, EXTENTION	1

**BU16395-021**  
**END PLUG ASSY, 2850, NHWP, 560CD**  
*(replace BR16395-021)*

ROHS NOTES : THE COMPONENT, PART, OR ASSEMBLY DESCRIBED IN THIS DOCUMENT MUST COMPLY WITH THE FOLLOWING EU (EUROPEAN UNION) DIRECTIVES: ROHS DIRECTIVE 2002/95/EC, WEE DIRECTIVE 2002/96/EC, AND ELV DIRECTIVE 2000/53/EC. THESE DIRECTIVES RESTRICT THE USE OF LEAD, CADMIUM, MERCURY, CHROMIUM, PBB, PBDE, AND OTHER HAZARDOUS MATERIALS. SEE THE TERMS AND CONDITIONS OF THE CONTRACT (PURCHASE ORDER) FOR MORE INFORMATION.						
All drawings and specifications as well as processes, materials, compounds and other similar criteria are to be strictly adhered to. No modifications allowed without prior written approval.	THIRD ANGLE PROJECTION		Pentair Water France 140, Av Rolland Garros 78532 Buc cedex France			
	DENOTES CRITICAL DIMENSION DENOTES REVISION					
TOLERANCES (UNLESS OTHERWISE SPECIFIED) 25 ±0.4 mm 25.0 ±0.25 mm 25.00 ±0.10 mm ANGULAR ±1° 3.2 Break all exposed sharp corners 0.25 x 45° max.	Material	X		Title		
DO NOT SCALE DRAWING DIMENSIONS - MM [inch]	Drawn MAN	Date 03/05/2010	Scale 1:1	Filename BU16395	Weight (kg) X	Sheet 1 of 1
	Approved CHT	Date 03/05/2010	Size A3	Part # BU16395	Dwg # BU16395	

This drawing is the absolute property of Pentair Water France. It may not be reproduced in any form without the written permission of Pentair Water France.