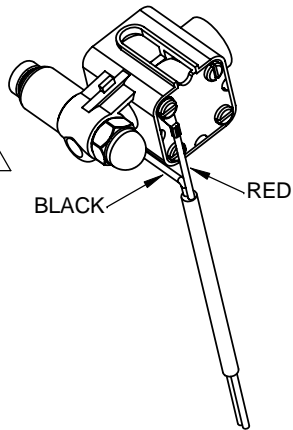
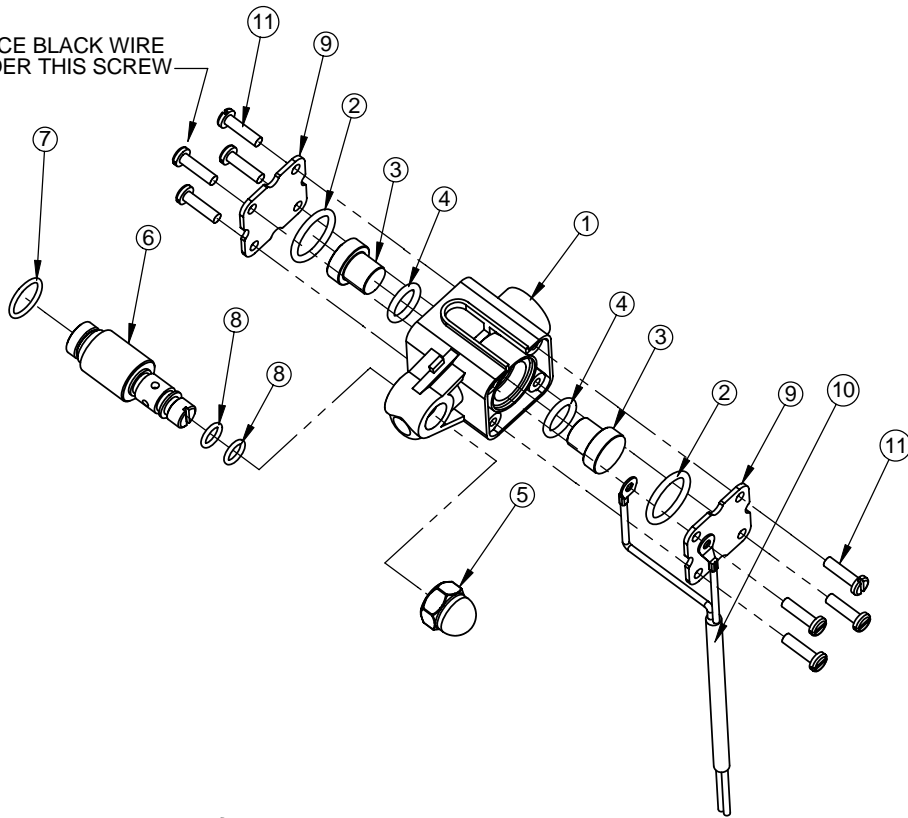


B
PLACE BLACK WIRE UNDER THIS SCREW



REVISIONS

ZONE	ECN	REV.	DESCRIPTION	DATE	APP'D
	10414	A		1-21-03	GH
	11601	B	ERROR CORRECTION: MOVED WIRING HARNESS TO THE CORRECT PLACE AS SHOWN	10-31-03	CM
		C	BR12646 WAS 12646 & BU13301-01 WAS 13301-01	07-09-07	LD

ITEM NO.	QTY.	PART NO.	DESCRIPTION
1	1	24684	CHLORINE GENERATOR BODY
2	2	25408	O RING
3	2	17468	ELECTRODE
4	2	25409	O RING
5	1	27919	ECROU BORGNE POUR CHLORINATEUR
6	1	BU27888	BLFC CHLORINE ADAPTER STANDARD
7	1	BU12977-01	O'RING -015
8	2	BU13301-01	O'RING -011 560CD
9	2	17593	END PLATE
10	1	28195	HARNESS WIRING FOR US CHLORINATOR
11	8	24688	SCREW, PAN HEAD, SLOTTED
12	1	BR12646(NOT SHOWN)	POTTING COMPOUND
13	1	17588 (NOT SHOWN)	GRAPHITE MATRIX

SUBASSY NO.	25610-40	27937	28083
PART NO.	24684	28083	27888
	17593	27919	12977-01
	24688		13301
	17468		
	25409		
	25408		
	28195		
	17588		
	12646		

LAST MODIFIED: 11/05/2003 15:47

CRITICALITY SYMBOLS PER QPSP-001.2

LEVEL I LEVEL II LEVEL III

THIS DOCUMENT IS SOLELY THE PROPERTY OF PENTAIR WATER TREATMENT. REPRODUCTION, USE DISCLOSURE, OR TRANSMISSION OF THIS DOCUMENT OR DETAILS CONTAINED HEREIN, IN PART OR IN WHOLE, IS PROHIBITED WITHOUT THE WRITTEN CONSENT OF PENTAIR WATER TREATMENT ENGINEERING. THIS DOCUMENT AND ANY COPIES SHALL BE RETURNED TO PENTAIR WATER TREATMENT UPON WRITTEN REQUEST.

1. DO NOT SCALE DRAWING
 2. DIMENSIONS = INCH/[mm]
 3. TOLERANCES (UNLESS OTHERWISE SPECIFIED)

	INCH	[mm]
1	± 0.015	± 0.40
0.1	± 0.015	± 0.25
0.01	± 0.010	± 0.13
0.001	± 0.005	

ANGULAR ± 1°
 BREAK ALL EXPOSED SHARP CORNERS .010 [25] X 45° MAX.

REVISION CONTROLLED BY PENTAIR FRANCE

PARTS LIST

THIRD ANGLE PROJECTION			
APPROVALS	DATE		
DRAWN	rsm	01/29/2003	
CHECKED	NAME	DATE	
APPROVED	NAME	DATE	

P.O. BOX 730
BROOKFIELD, WI 53008-0730

TITLE: **CHLORINATOR ASSY,USA**

SIZE B	DWG NO. BU28196	REV C
SCALE 1:2	SOLIDWORKS FORMAT	SHEET 1 OF 1