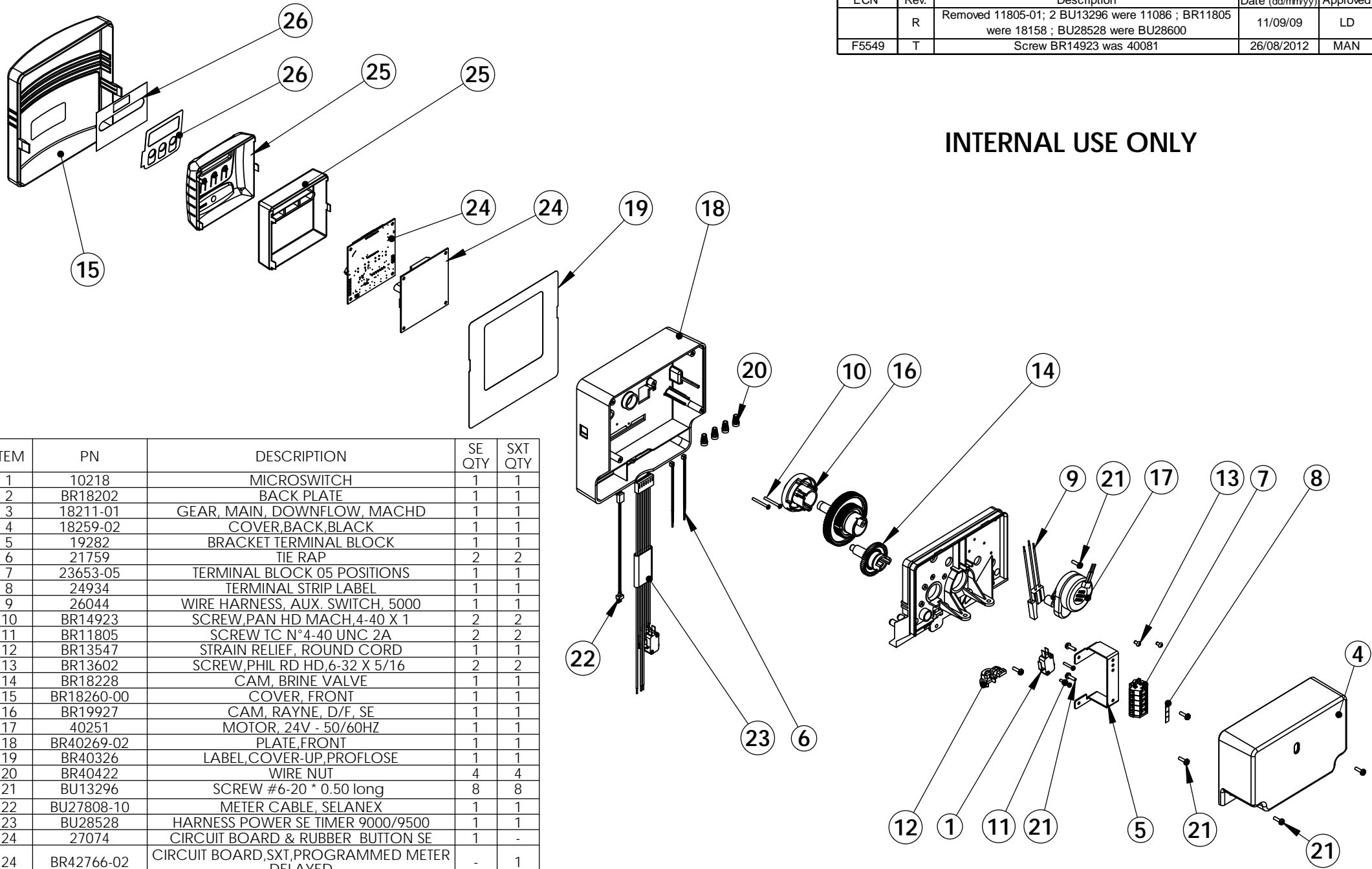


REVISIONS				
ECN	Rev.	Description	Date (dd/mm/yy)	Approved
	R	Removed 11805-01; 2 BU13296 were 11086 ; BR11805 were 18158 ; BU28528 were BU28600	11/09/09	LD
F5549	T	Screw BR14923 was 40081	26/08/2012	MAN

INTERNAL USE ONLY



ITEM	PN	DESCRIPTION	SE QTY	SXT QTY
1	10218	MICROSWITCH	1	1
2	BR18202	BACK PLATE	1	1
3	18211-01	GEAR, MAIN, DOWNFLOW, MACHD	1	1
4	18259-02	COVER, BACK, BLACK	1	1
5	19282	BRACKET, TERMINAL BLOCK	1	1
6	21759	TIE RAP	2	2
7	23653-05	TERMINAL BLOCK 05 POSITIONS	1	1
8	24934	TERMINAL STRIP LABEL	1	1
9	26044	WIRE HARNESS, AUX. SWITCH, 5000	1	1
10	BR14923	SCREW, PAN HD MACH, 4-40 X 1	2	2
11	BR11805	SCREW TC N°4-40 UNC 2A	2	2
12	BR13547	STRAIN RELIEF, ROUND CORD	1	1
13	BR13602	SCREW, PHIL RD HD, 6-32 X 5/16	2	2
14	BR18228	CAM, BRINE VALVE	1	1
15	BR18260-00	COVER, FRONT	1	1
16	BR19927	CAM, RAYNE, D/F, SE	1	1
17	40251	MOTOR, 24V - 50/60HZ	1	1
18	BR40269-02	PLATE, FRONT	1	1
19	BR40326	LABEL, COVER-UP, PROFLOSE	1	1
20	BR40422	WIRE NUT	4	4
21	BU13296	SCREW #6-20 * 0.50 long	8	8
22	BU27808-10	METER CABLE, SELANEX	1	1
23	BU28528	HARNESS POWER SE TIMER 9000/9500	1	1
24	27074	CIRCUIT BOARD & RUBBER BUTTON SE	1	-
24	BR42766-02	CIRCUIT BOARD, SXT, PROGRAMMED METER DELAYED	-	1
25	BR42635-01	FRONT COVER, SXT, SQUARE (Black)	-	1
25	BR19471-02	COVER, FRONT PANEL, 5600SE, BLACK	1	-
26	BU27793	FRONT LABEL SE DF	1	-
26	BR42637	LABEL, DISPLAY, SXT	-	1



POWER HEAD 5000 SE/SXT DF, SELANEX

BU28351