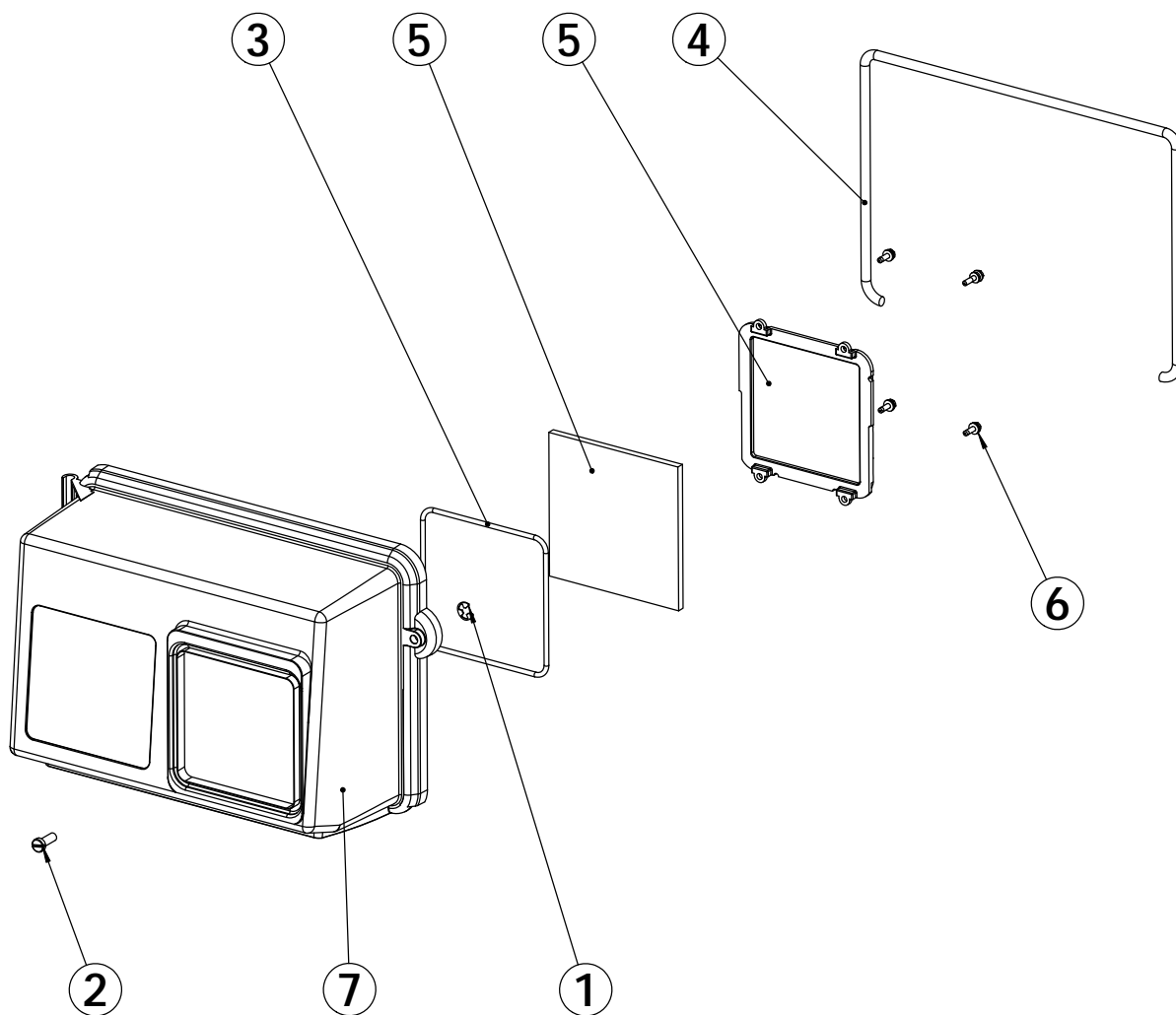


REVISIONS				
ECN	Rev.	Description	Date (dd/mm/yy)	Approved
F 5034	G	ADDED -01, -02, -03 AND -13 versions	23/07/09	LD
F 5466	H	ADDED -12 version	02/04/2012	MAN



ITEM	PN	DESCRIPTION	BU28469-01 QTY	BU28469-02 QTY	BU28469-03 QTY	BU28469-12 QTY	BU28469-13 QTY
1	BR11981-01	RING, RETAINING	1	1	1	1	1
2	BU11989	SCREW TC M6 x 16	1	1	1	1	1
3	BU18615	SEAL, Ø 3,4 mm	-	-	-	1	1
4	BU18716	SEAL, Ø 6,7mm	1	1	1	1	1
5	18745-02	WINDOW (BLACK), COVER	-	-	-	1	1
5	BR41556	WINDOW, ENVIRONMENTAL; CLEAR	1	1	1	-	-
6	BU13296	SCREW #6-20 * 0.50 long	4	4	4	-	-
6	BU17020	SCREW, HEX WASHER HEAD, #6-20 X .38	-	-	-	4	4
7	18670-020	COVER, HINGED, BLACK	-	-	1	-	1
7	18670-050	COVER, HINGED,GRAY	1	-	-	-	-
7	18670-070	COVER, HINGED, BLUE	-	1	-	1	-



COVER ASSY PRO2 UPPER W/ WINDOW W/O PIN

BU28469-XX