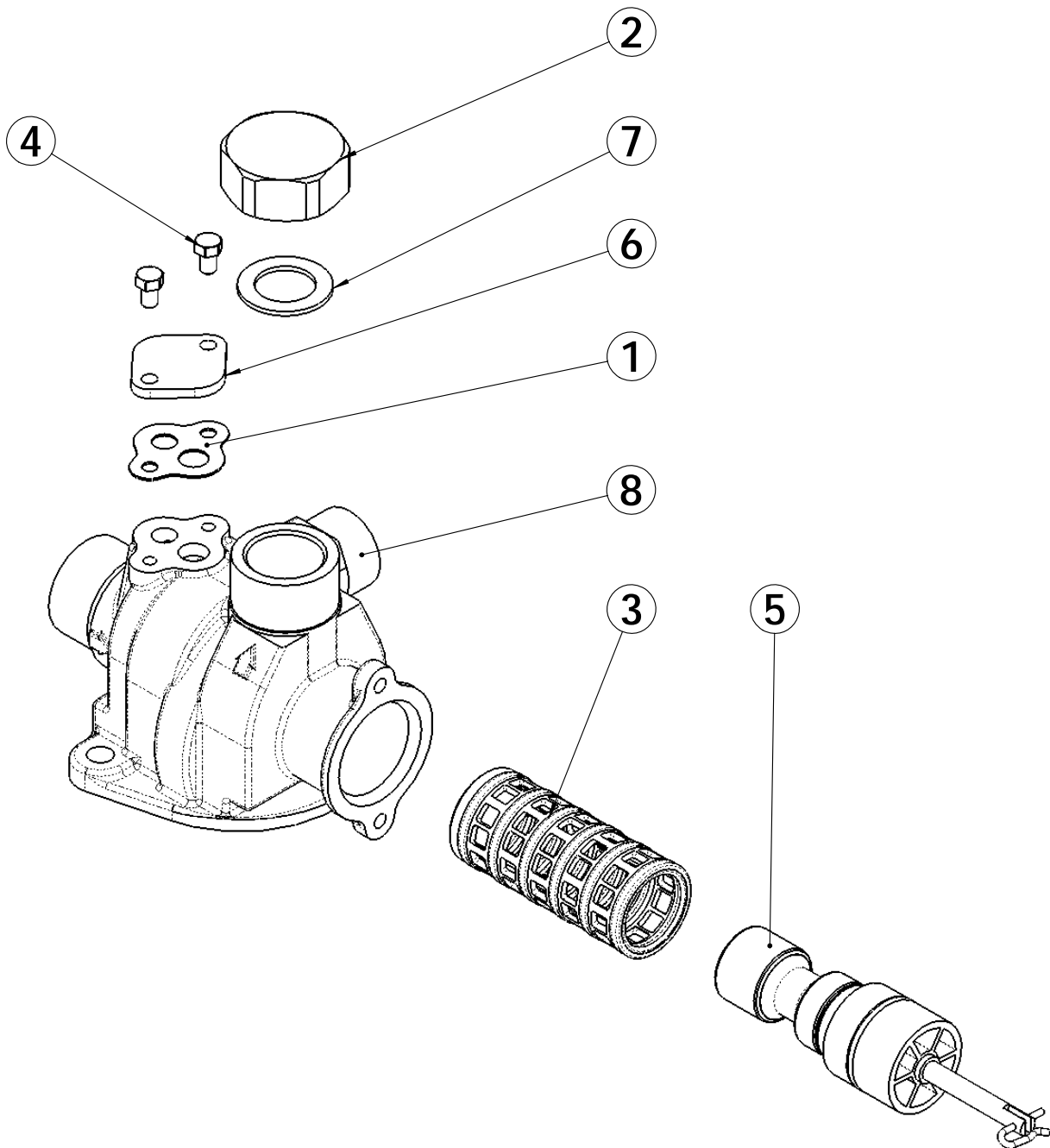
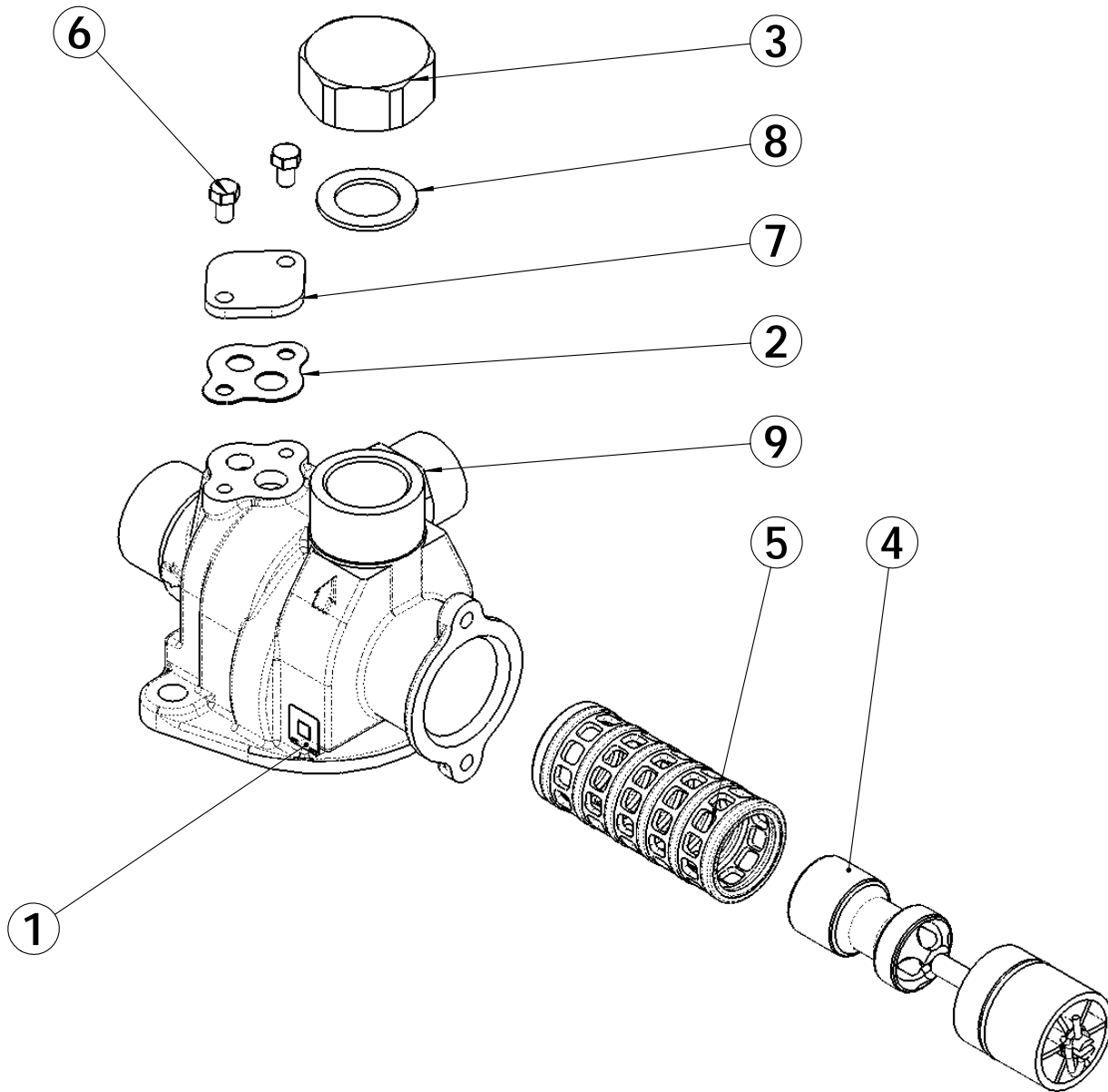


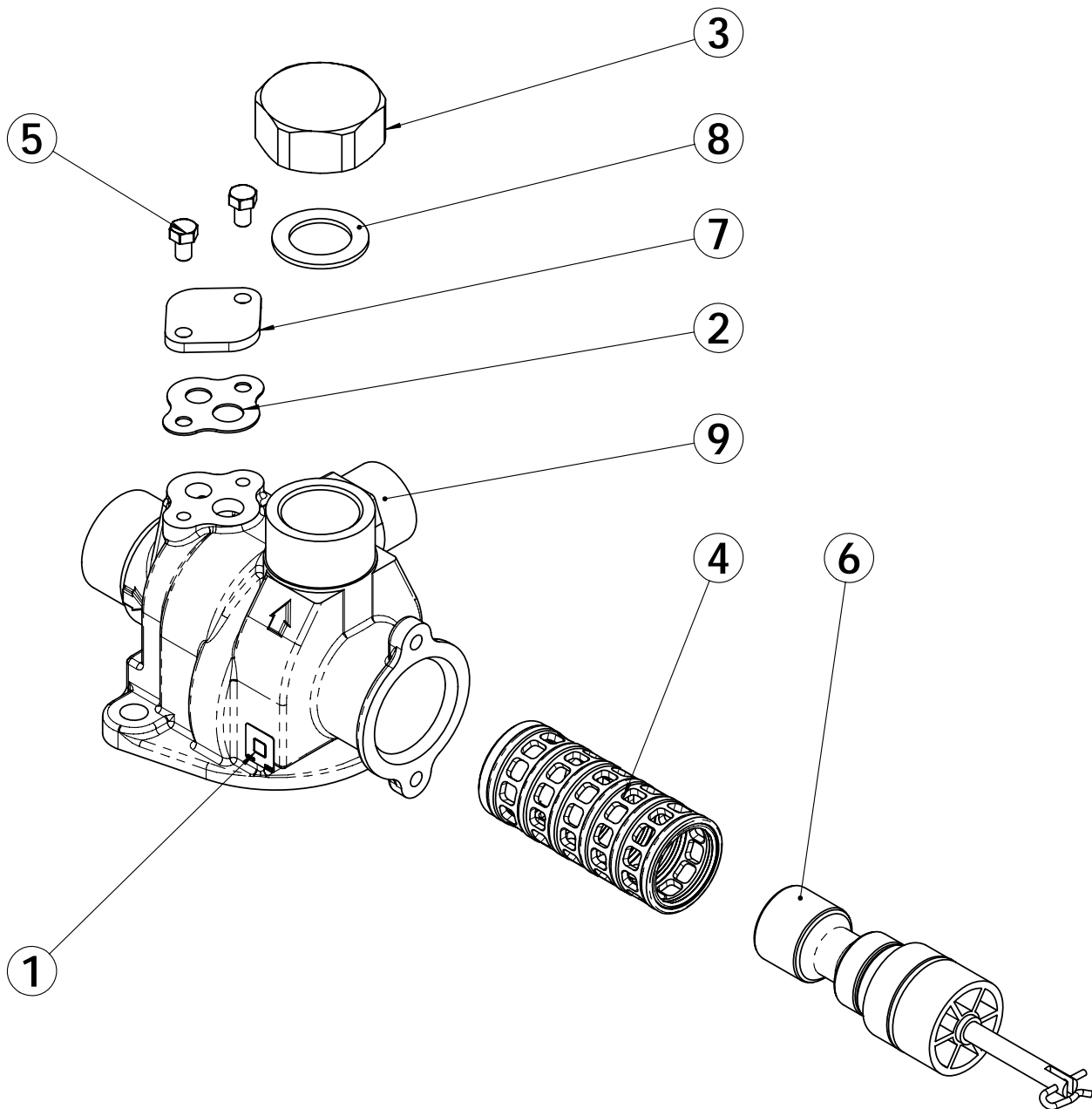
| ITEM | QTY | PART NO. | DESCRIPTION | NOM |
|------|-----|------------|--------------------------------------|--------------------------------------|
| 1 | 1 | 23304 | GASKET INJECTOR BODY | JOINT PLAT COUVERCLE INJECTEUR |
| 2 | 1 | 23705 | FEMALE PLUG | BOUCHON |
| 3 | 1 | 24067 | KIT STD PISTON ASSY 2510/2750/2900 | KIT PISTON STD 2510/2750/2900 |
| 4 | 1 | 24271 | SEALS AND SPACERS KIT 1550/2750/2900 | SEALS AND SPACERS KIT 1550/2750/2900 |
| 5 | 2 | 24874 | SCREW HEX. M5x8 | VIS TH M5x8 |
| 6 | 1 | BR11893 | INJECTOR COVER | COUVERCLE INJECTEUR |
| 7 | 1 | BU11206 | FITTING GASKET | JOINT PLAT |
| 8 | 1 | BU14749-20 | VALVE BODY 1" | CORPS DE VANNE 1" |



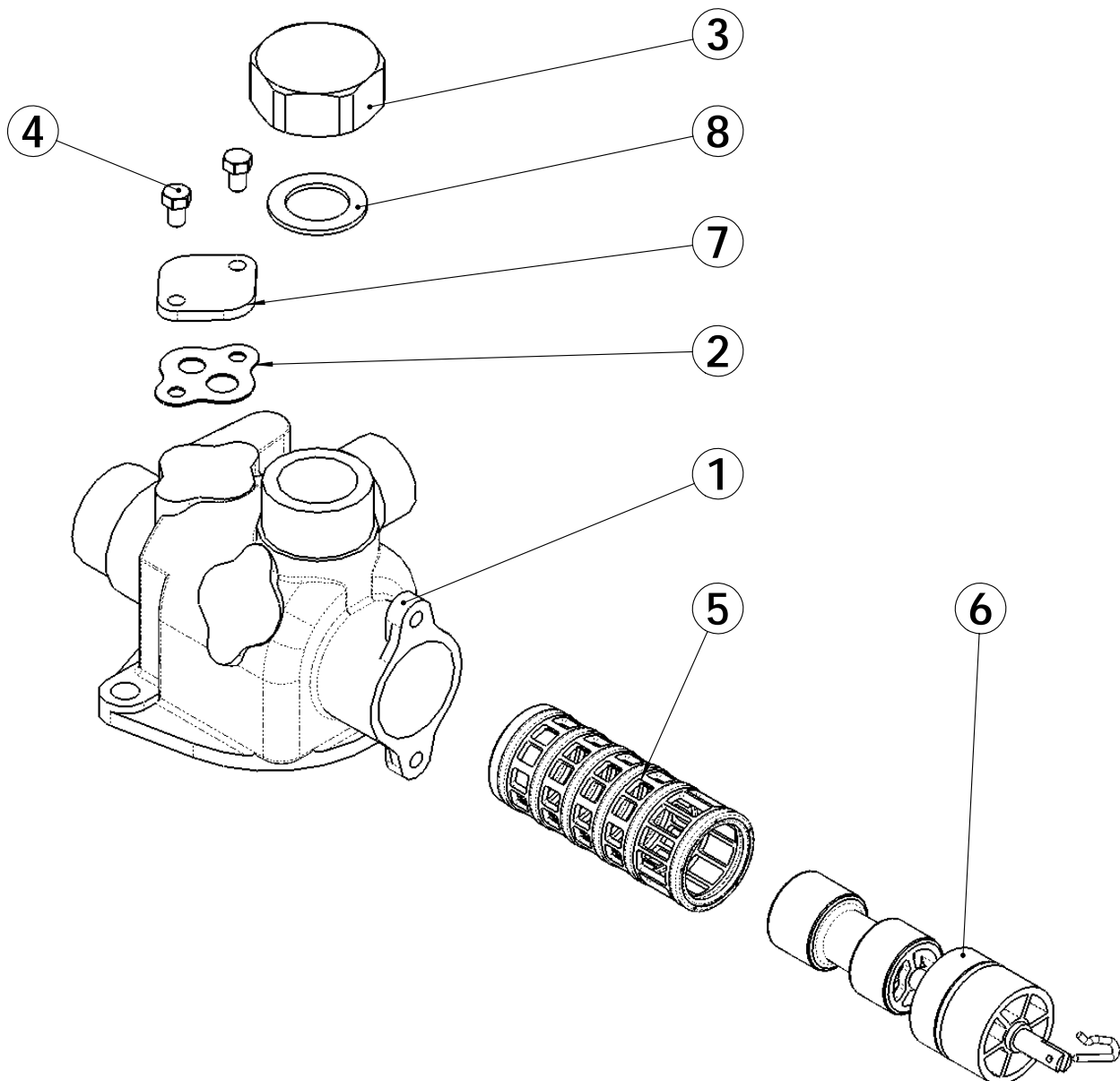
| ITEM | QTY | PART NO. | DESCRIPTION | NOM |
|------|-----|------------|--------------------------------------|--------------------------------------|
| 1 | 1 | 23304 | GASKET INJECTOR BODY | JOINT PLAT COUVERCLE INJECTEUR |
| 2 | 1 | 23705 | FEMALE PLUG | BOUCHON |
| 3 | 1 | 24271 | SEALS AND SPACERS KIT 1550/2750/2900 | SEALS AND SPACERS KIT 1550/2750/2900 |
| 4 | 2 | 24874 | SCREW HEX. M5x8 | VIS TH M5x8 |
| 5 | 1 | 26495-00 | KIT NBP PISTON for 2510/2750 | KIT NBP PISTON for 2510/2750 |
| 6 | 1 | BR11893 | INJECTOR COVER | COUVERCLE INJECTEUR |
| 7 | 1 | BU11206 | FITTING GASKET | JOINT PLAT |
| 8 | 1 | BU14749-20 | VALVE BODY 1" | CORPS DE VANNE 1" |



| ITEM | QTY | PART NO. | DESCRIPTION | NOM |
|------|-----|------------|--------------------------------------|--------------------------------------|
| 1 | 1 | 18976 | 65°C LABEL , TEMPERATURE INDICATOR | ETIQUETTE TEMPERATURE 65°C |
| 2 | 1 | 23304 | GASKET INJECTOR BODY | JOINT PLAT COUVERCLE INJECTEUR |
| 3 | 1 | 23705 | FEMALE PLUG | BOUCHON |
| 4 | 1 | 24067 | KIT STD PISTON ASSY 2510/2750/2900 | KIT PISTON STD 2510/2750/2900 |
| 5 | 1 | 24553 | SEALS AND SPACERS KIT 1550/2750/2900 | SEALS AND SPACERS KIT 1550/2750/2900 |
| 6 | 2 | 24874 | SCREW HEX. M5x8 | VIS TH M5x8 |
| 7 | 1 | BR11893 | INJECTOR COVER | COUVERCLE INJECTEUR |
| 8 | 1 | BU11206 | FITTING GASKET | JOINT PLAT |
| 9 | 1 | BU14749-20 | VALVE BODY 1" | CORPS DE VANNE 1" |



| ITEM | QTY | PART NO. | DESCRIPTION | NOM |
|------|-----|------------|--------------------------------------|--------------------------------------|
| 1 | 1 | 18976 | 65°C LABEL , TEMPERATURE INDICATOR | ETIQUETTE TEMPERATURE 65°C |
| 2 | 1 | 23304 | GASKET INJECTOR BODY | JOINT PLAT COUVERCLE INJECTEUR |
| 3 | 1 | 23705 | FEMALE PLUG | BOUCHON |
| 4 | 1 | 24553 | SEALS AND SPACERS KIT 1550/2750/2900 | SEALS AND SPACERS KIT 1550/2750/2900 |
| 5 | 2 | 24874 | SCREW HEX. M5x8 | VIS TH M5x8 |
| 6 | 1 | 26495-00 | KIT NBP PISTON for 2510/2750 | KIT NBP PISTON for 2510/2750 |
| 7 | 1 | BR11893 | INJECTOR COVER | COUVERCLE INJECTEUR |
| 8 | 1 | BU11206 | FITTING GASKET | JOINT PLAT |
| 9 | 1 | BU14749-20 | VALVE BODY 1" | CORPS DE VANNE 1" |



| ITEM | QTY | PART NO. | DESCRIPTION | NOM |
|------|-----|----------|---------------------------------------|---------------------------------------|
| 1 | 1 | 19401-20 | VALVE BODY 2750, UF | CORPS DE VANNE 2750, UF |
| 2 | 1 | 23304 | GASKET INJECTOR BODY | JOINT PLAT COUVERCLE INJECTEUR |
| 3 | 1 | 23705 | FEMALE PLUG | BOUCHON |
| 4 | 2 | 24874 | SCREW HEX. M5x8 | VIS TH M5x8 |
| 5 | 1 | 26859 | SEALS & SPACERS KIT UF 2750/2900 | KIT SELAS ET SPACERS UF 2750/2900 |
| 6 | 1 | 26861 | KIT UP FLOW PISTON ASSY for 2750/2900 | KIT UP FLOW PISTON ASSY for 2750/2900 |
| 7 | 1 | BR11893 | INJECTOR COVER | COUVERCLE INJECTEUR |
| 8 | 1 | BU11206 | FITTING GASKET | JOINT PLAT |