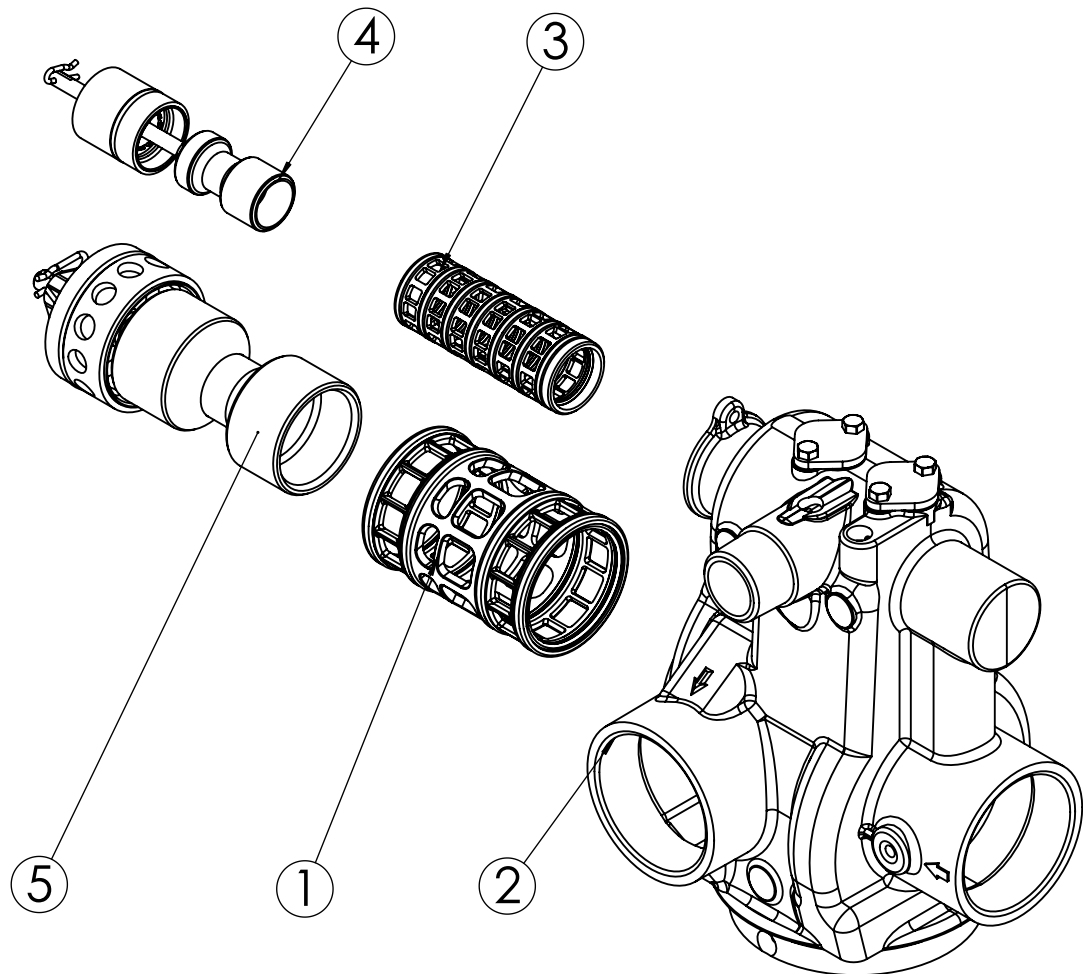
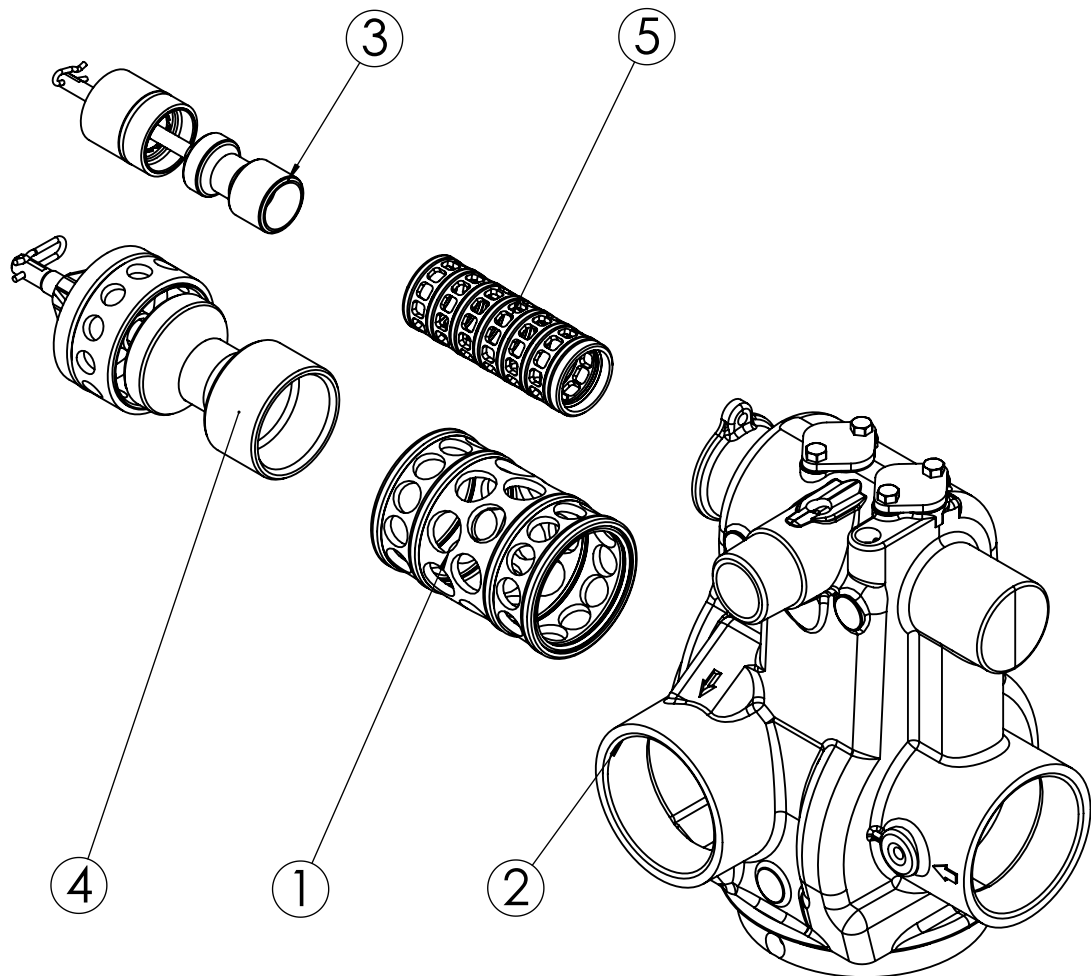


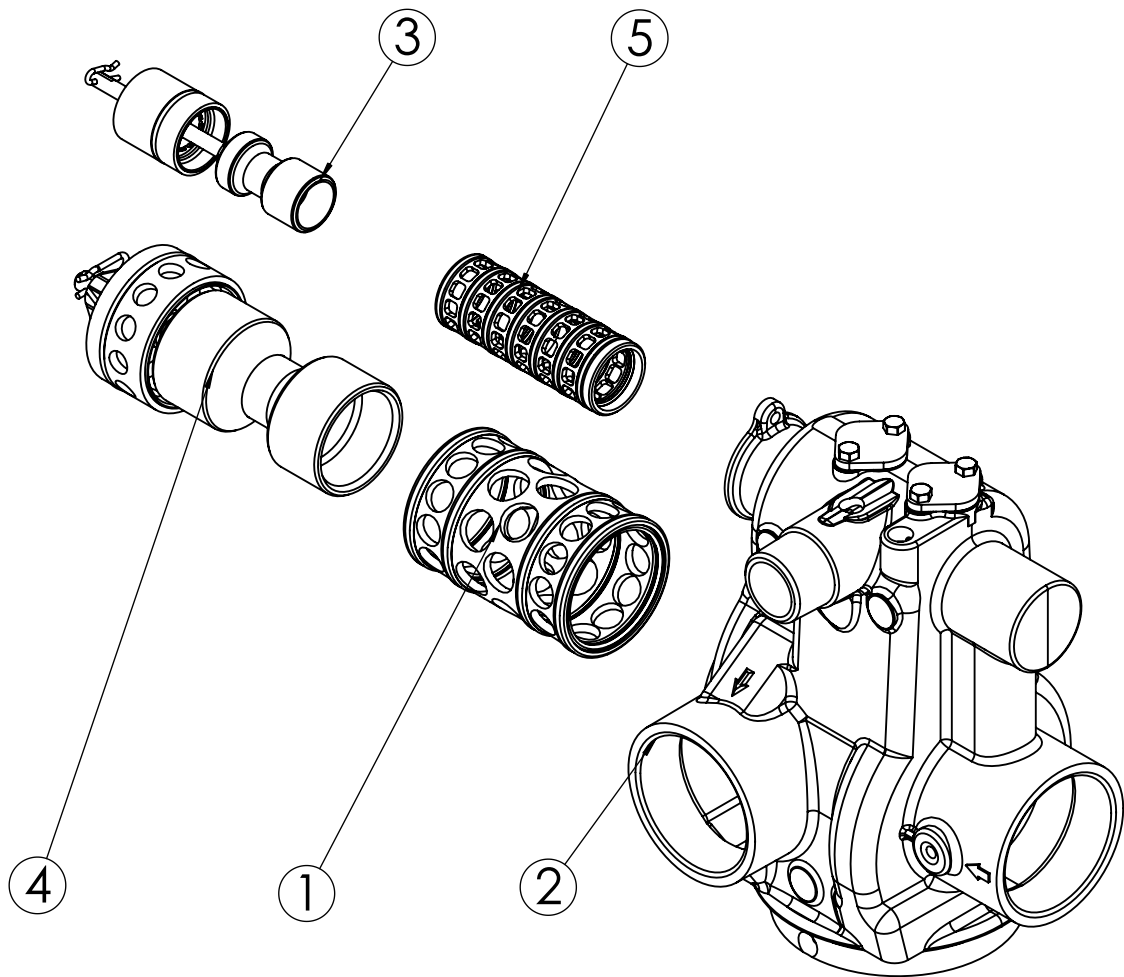
ITEM	QTY	PART NO.	DESCRIPTION	NOM
1	1	24205	SEALS AND SPACERS KIT 2900/2910, LOWER	KIT SEALS ET SPACERS 2900/2910
2	1	28411	VALVE BODY 2910 WITH O-RING	CORPS DE VANNE 2910 AVEC JOINTS
3	1	28415	SEALS & SPACERS KIT, 2510/2750/2900/2910, UPPER	KIT SEALS & SPACERS, 2510/2750/2900/2910, HAUT
4	1	28416	PISTON UPPER ASSY, DF, 2910	ENSEMBLE PISTON HAUT, DF, 2910
5	1	bu28412	PISTON ASSY, WBP 2900/2910, LOWER	PISTON WBP 2900/2910 ASSEMBLE



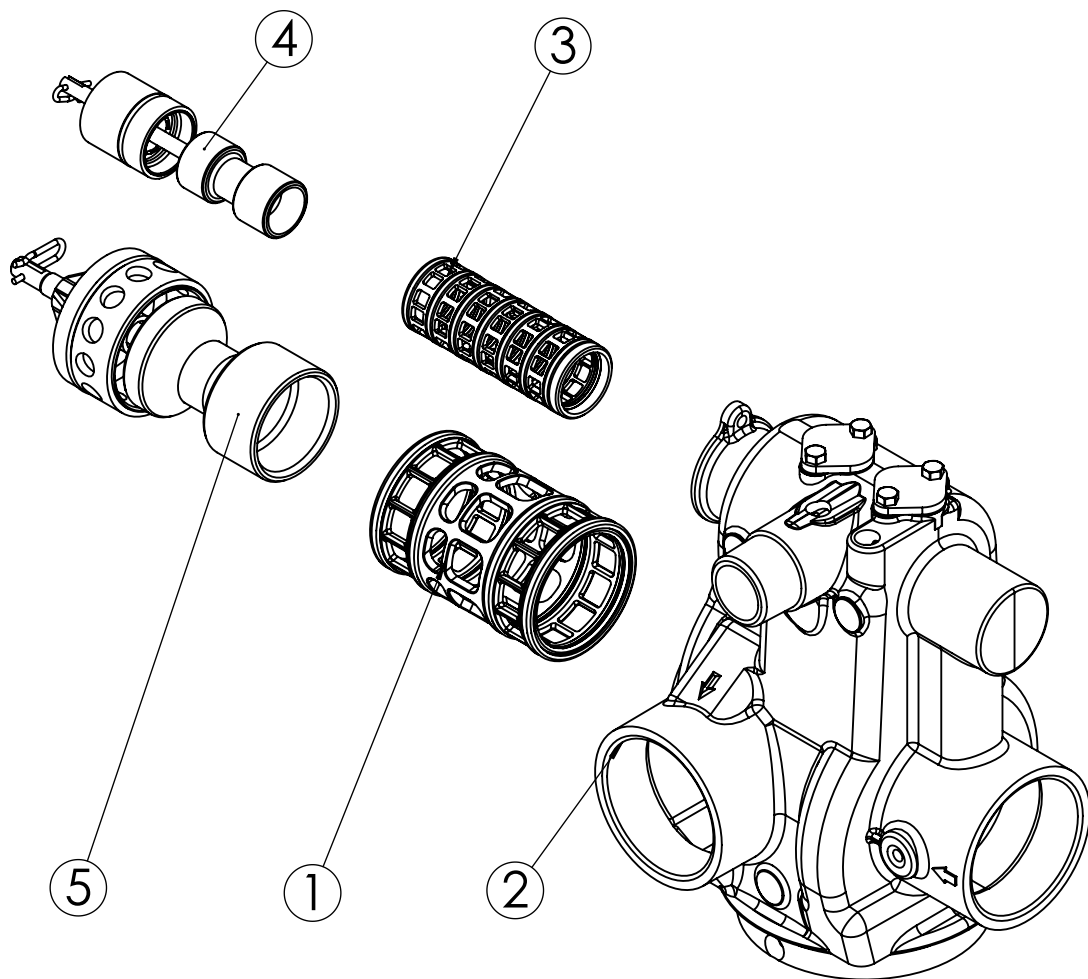
ITEM	QTY	PART NO.	DESCRIPTION	NOM
1	1	24205	SEALS AND SPACERS KIT 2900/2910, LOWER	KIT SEALS ET SPACERS 2900/2910
2	1	28411	VALVE BODY 2910 WITH O-RING	CORPS DE VANNE 2910 AVEC JOINTS
3	1	28415	SEALS & SPACERS KIT, 2510/2750/2900/2910, UPPER	KIT SEALS & SPACERS, 2510/2750/2900/2910, HAUT
4	1	28416	PISTON UPPER ASSY, DF, 2910	ENSEMBLE PISTON HAUT, DF, 2910
5	1	BU28413	PISTON ASSY, NBP 2900/2910, LOWER	PISTON NBP 2900/2910 ASSEMBLE



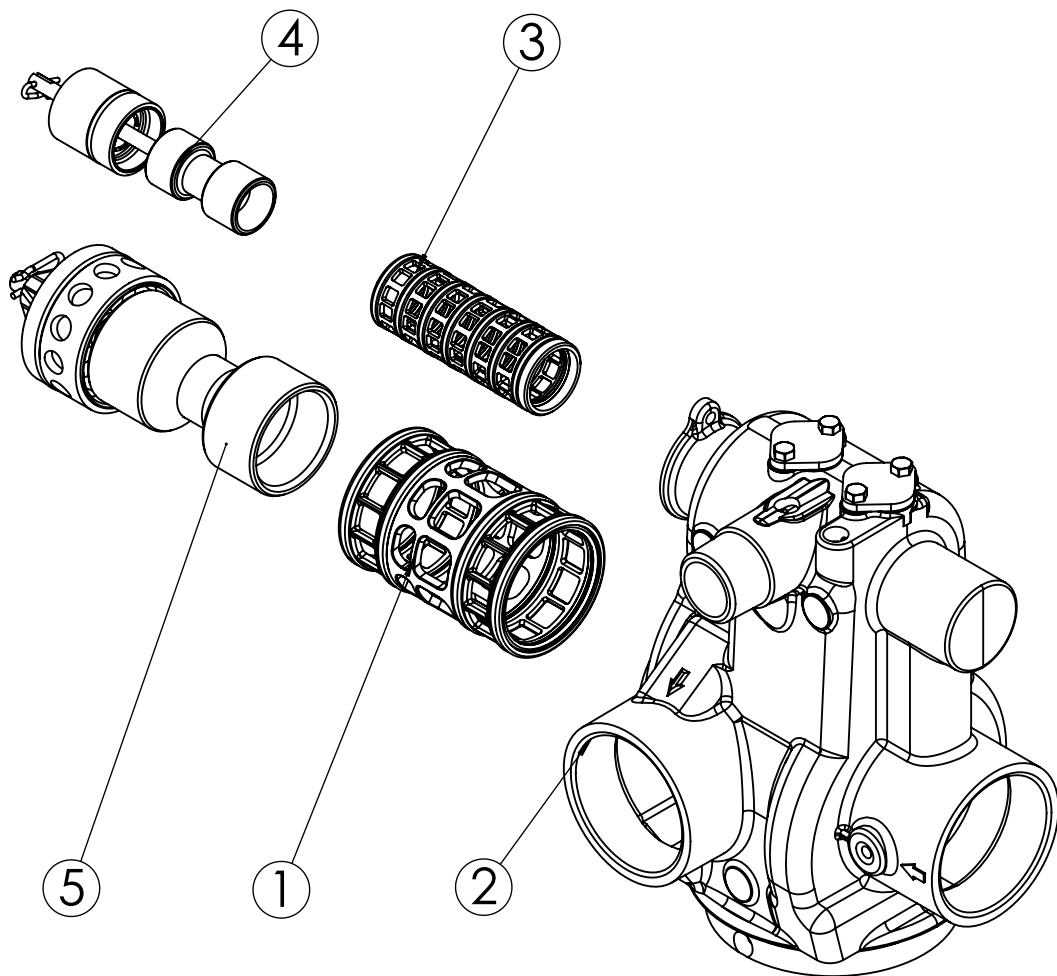
ITEM	QTY	PART NO.	DESCRIPTION	NOM
1	1	26107	SEALS AND SPACERS KIT 2900/2910, LOWER, HW	KIT SEALS ET SPACERS 2900/2910, EAU CHAUDE
2	1	28411	VALVE BODY 2910 WITH O-RING	CORPS DE VANNE 2910 AVEC JOINTS
3	1	28416	PISTON UPPER ASSY, DF, 2910	ENSEMBLE PISTON HAUT, DF, 2910
4	1	bu28412	PISTON ASSY, WBP 2900/2910, LOWER	PISTON WBP 2900/2910 ASSEMBLE
5	1	BU28414	SEALS & SPACERS KIT, 2510/2750/2900/2910, UPPER, HW	KIT SEALS & SPACERS, 2510/2750/2900/2910, HAUT



ITEM	QTY	PART NO.	DESCRIPTION	NOM
1	1	26107	SEALS AND SPACERS KIT 2900/2910, LOWER, HW	KIT SEALS ET SPACERS 2900/2910, EAU CHAUDE
2	1	28411	VALVE BODY 2910 WITH O-RING	CORPS DE VANNE 2910 AVEC JOINTS
3	1	28416	PISTON UPPER ASSY, DF, 2910	ENSEMBLE PISTON HAUT, DF, 2910
4	1	BU28413	PISTON ASSY, NBP 2900/2910, LOWER	PISTON NBP 2900/2910 ASSEMBLE
5	1	BU28414	SEALS & SPACERS KIT, 2510/2750/2900/2910, UPPER, HW	KIT SEALS & SPACERS, 2510/2750/2900/2910, HAUT



ITEM	QTY	PART NO.	DESCRIPTION	NOM
1	1	24205	SEALS AND SPACERS KIT 2900/2910, LOWER	KIT SEALS ET SPACERS 2900/2910
2	1	28411	VALVE BODY 2910 WITH O-RING	CORPS DE VANNE 2910 AVEC JOINTS
3	1	28415	SEALS & SPACERS KIT, 2510/2750/2900/2910, UPPER	KIT SEALS & SPACERS, 2510/2750/2900/2910, HAUT
4	1	28417	PISTON UPPER ASSY, UF, 2910	ENSEMBLE PISTON HAUT, UF, 2910
5	1	bu28412	PISTON ASSY, WBP 2900/2910, LOWER	PISTON WBP 2900/2910 ASSEMBLE



ITEM	QTY	PART NO.	DESCRIPTION	NOM
1	1	24205	SEALS AND SPACERS KIT 2900/2910,LOWER	KIT SEALS ET SPACERS 2900/2910
2	1	28411	VALVE BODY 2910 WITH O-RING	CORPS DE VANNE 2910 AVEC JOINTS
3	1	28415	SEALS & SPACERS KIT, 2510/2750/2900/2910, UPPER	KIT SEALS & SPACERS, 2510/2750/2900/2910, HAUT
4	1	28417	PISTON UPPER ASSY, UF, 2910	ENSEMBLE PISTON HAUT, UF, 2910
5	1	BU28413	PISTON ASSY, NBP 2900/2910, LOWER	PISTON NBP 2900/2910 ASSEMBLE