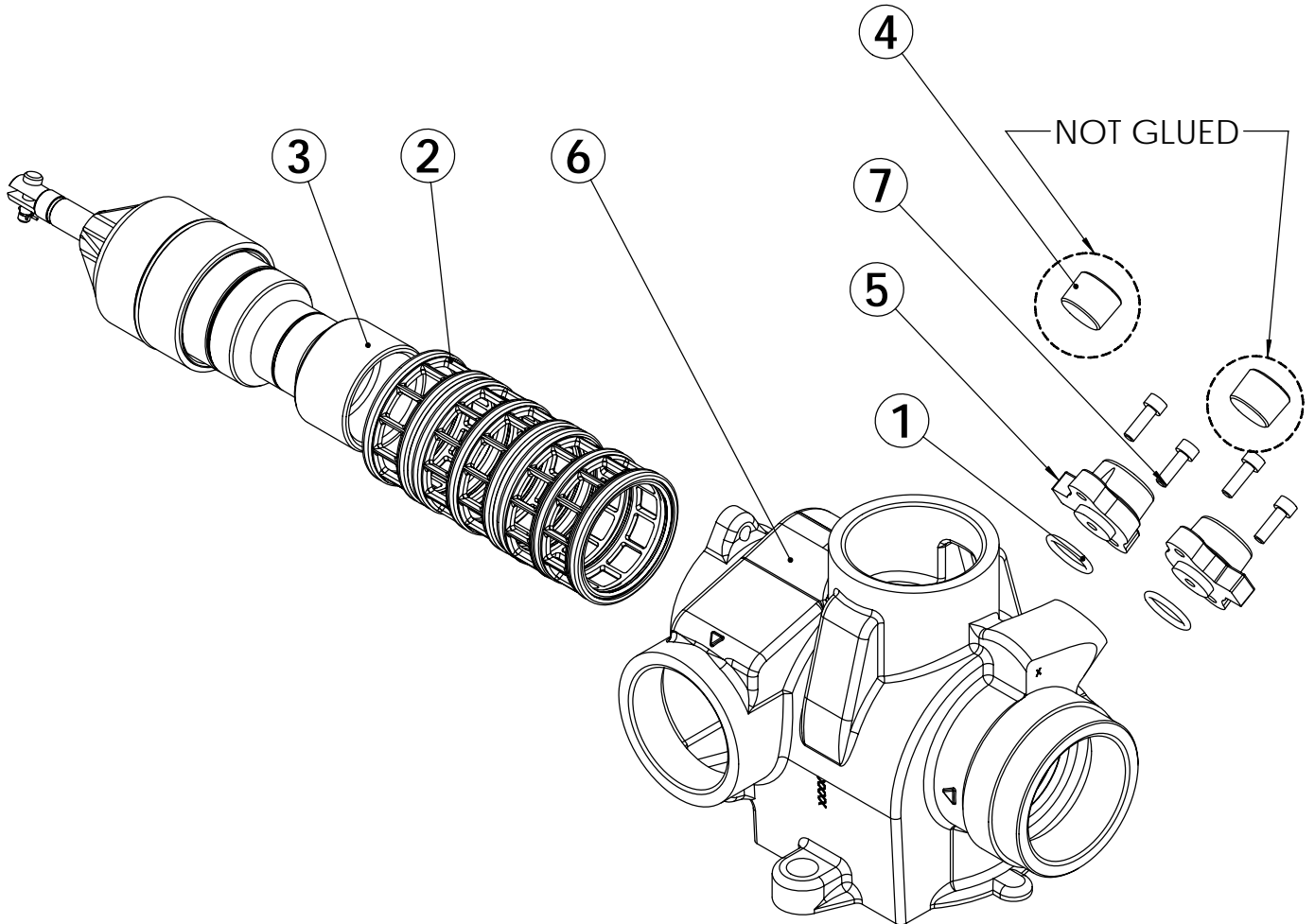
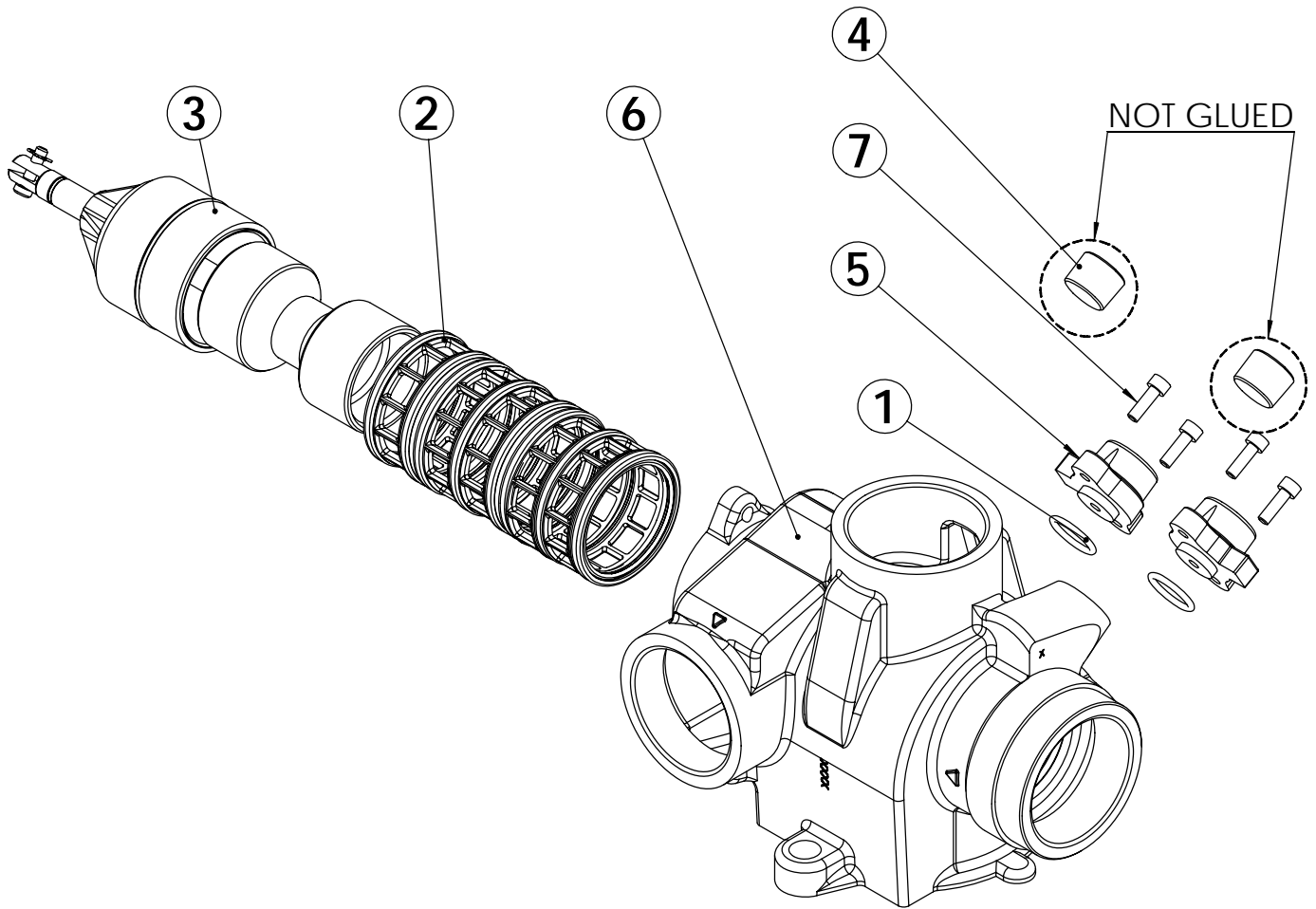


ITEM	QTY	PART NO.	DESCRIPTION	NOM
1	2	15246-01	O-RING, -116	JOINT TORIQUE -116
2	1	18022	SEAL & SPACER KIT 3150/3900 UPPER	KIT JOINTS ASSEMBLES
3	1	60106-00	PISTON ASSY 3150/3900 UPPER DF	PISTON ASSEMBLE 3150/3900 DF
4	2	BR16387	PLUG, PIPE 1/2", NPT	BOUCHAON 1/2"
5	4	21716	SCREW H - M5 x 16,0	VIS H - M5 x 16,0
6	1	60106-00	PISTON ASSY 3150/3900 UPPER DF	PISTON ASSEMBLE 3150/3900 DF
7	2	BR16387	PLUG, PIPE 1/2", NPT	BOUCHON 1/2" NPT



ITEM	QTY	PART NO.	DESCRIPTION	NOM
1	2	15246-01	O-RING, -116	JOINT TORIQUE -116
2	1	18022	SEAL & SPACER KIT 3150/3900 UPPER	KIT JOINTS ASSEMBLES
3	1	BU60113-01	PISTON ASSY 3150 NBP	PISTON ASSEMBLE 3150 NBP
4	2	BR16387	PLUG, PIPE 1/2", NPT	BOUCHAON 1/2"
5	2	BU16341-02	INJECTOR COVER, 1800	COUVERCLE D'INJECTEUR
6	1	BR15114-20	VALVE BODY,3150, BSP/METRIC	CORPS DE VANNE 3150
7	4	BU19677	SCH CAP SCREW M5 x 16	VIS SCH M5 x 16



ITEM	QTY	PART NO.	DESCRIPTION	NOM
1	2	15246-01	O-RING, -116	JOINT TORIQUE -116
2	1	18022	SEAL & SPACER KIT 3150/3900 UPPER	KIT JOINTS ASSEMBLES
3	1	60106-10	PISTON ASSY 3150/3900 UPPER UF	PISTON ASSEMBLE 3150/3900 UF
4	2	BR16387	PLUG, PIPE 1/2", NPT	BOUCHAON 1/2"
5	2	BU16341-02	INJECTOR COVER, 1800	COUVERCLE D'INJECTEUR
6	1	BR15114-20	VALVE BODY,3150, BSP/METRIC	PISTON ASSEMBLE 3150/3900 UF
7	2	BR16387	PLUG, PIPE 1/2", NPT	BOUCHON 1/2" NPT