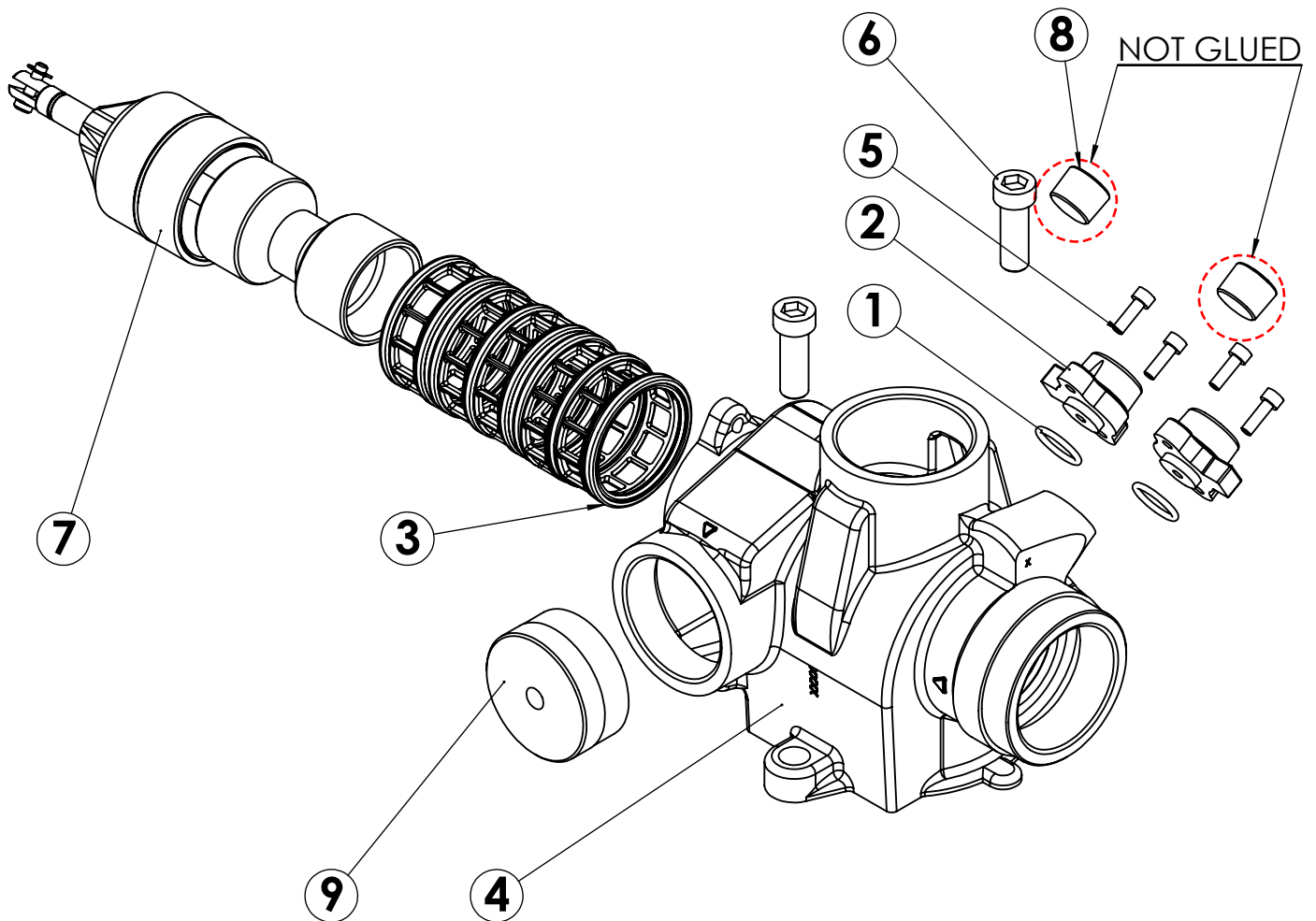


ITEM	QTY	PART NO.	DESCRIPTION	NOM
1	2	15246-01	O-RING, -116	JOINT TORIQUE -116
2	2	16341-02	INJECTOR COVER	COUVERCLE D'INJECTEUR
3	1	18022	SEAL & SPACER KIT 3150/3900 UPPER	KIT JOINTS ASSEMBLES
4	1	BR15114-20	VALVE BODY,3150, BSP/METRIC	CORPS DE VANNE 3150
5	4	BU19677	SCH CAP SCREW M5 x 16	VIS SCH M5 x 16
6	2	25165	SCREW M12 x 35	VIS M12 x 35
7	1	60106-00	PISTON ASSY 3150/3900 UPPER DF	PISTON ASSEMBLE 3150/3900 DF
8	2	BR16387	PLUG, PIPE 1/2", NPT	BOUCHON 1/2" NPT
9	1	BU28506	PIPE PLUG 2" -11 BSP	BOUCHON 2" -11 BSP



ITEM	QTY	PART NO.	DESCRIPTION	NOM
1	2	15246-01	O-RING, -116	JOINT TORIQUE -116
2	2	16341-02	INJECTOR COVER	COUVERCLE D'INJECTEUR
3	1	18022	SEAL & SPACER KIT 3150/3900 UPPER	KIT JOINTS ASSEMBLES
4	1	BR15114-20	VALVE BODY,3150, BSP/METRIC	CORPS DE VANNE 3150
5	4	BU19677	SCH CAP SCREW M5 x 16	VIS SCH M5 x 16
6	2	25165	SCREW M12 x 35	VIS M12 x 35
7	1	60106-10	PISTON ASSY 3150/3900 UPPER UF	PISTON ASSEMBLE 3150/3900 UF
8	2	BR16387	PLUG, PIPE 1/2", NPT	BOUCHON 1/2" NPT
9	1	BU28506	PIPE PLUG 2" -11 BSP	BOUCHON 2" -11 BSP