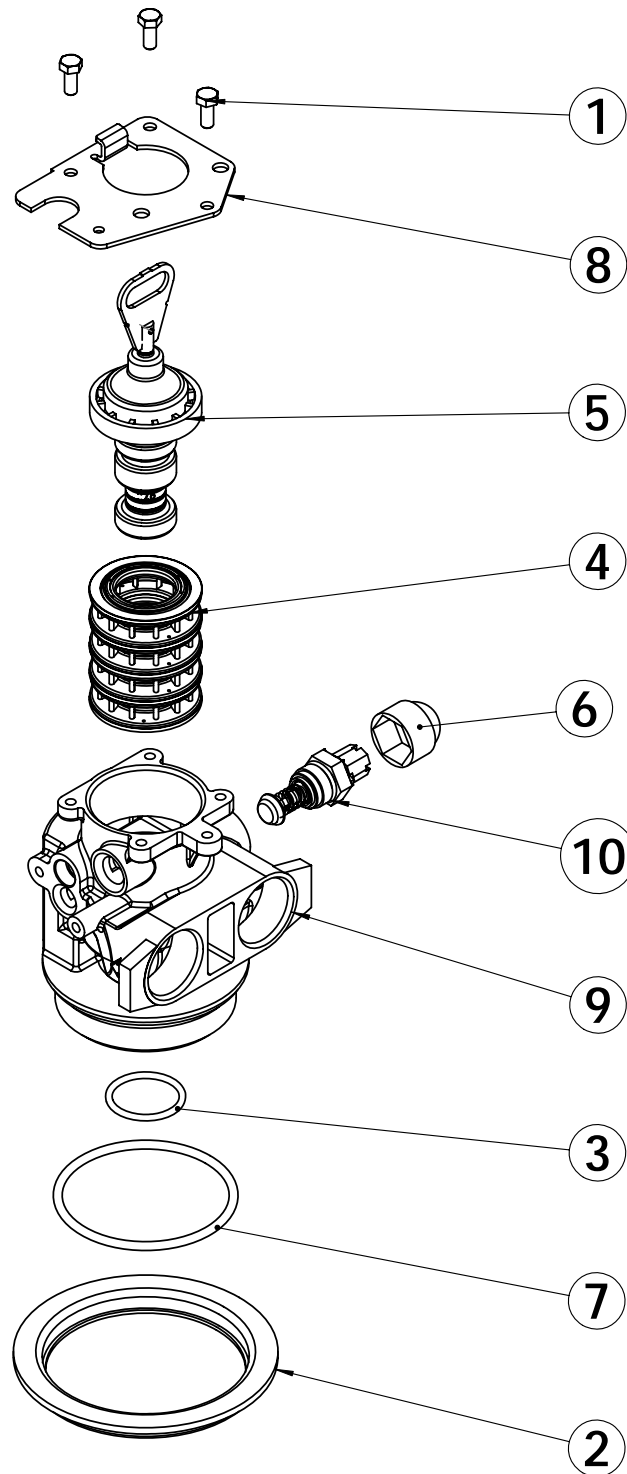
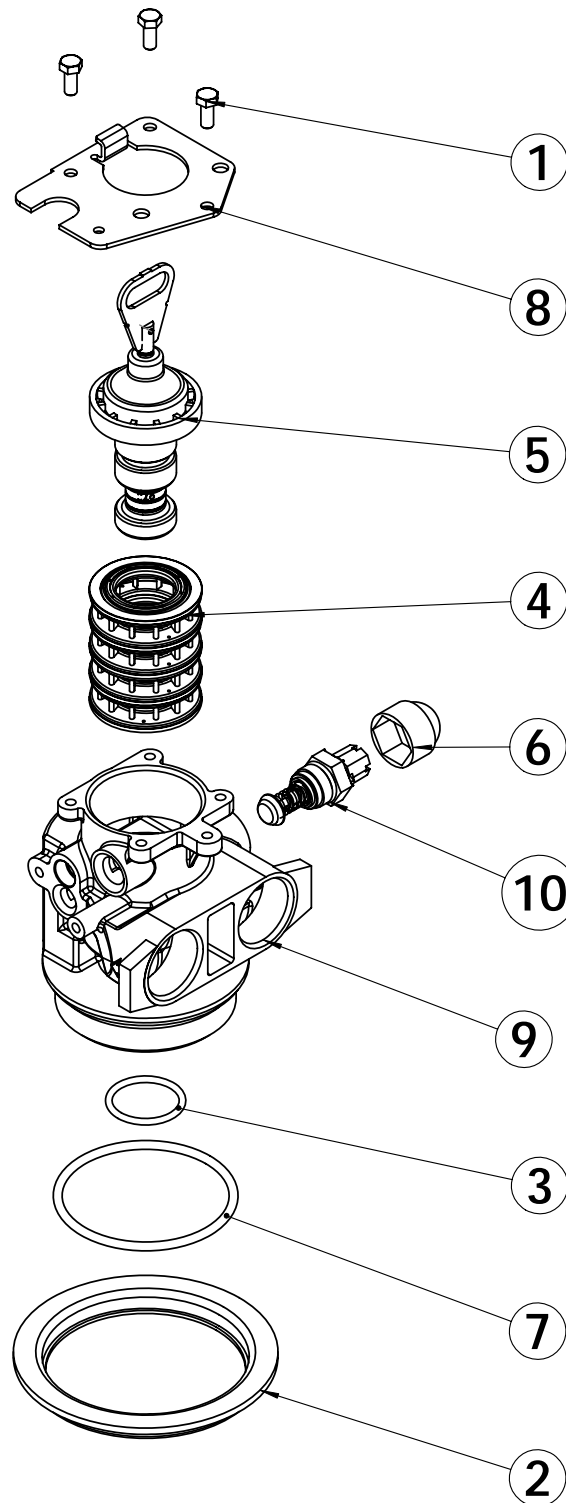


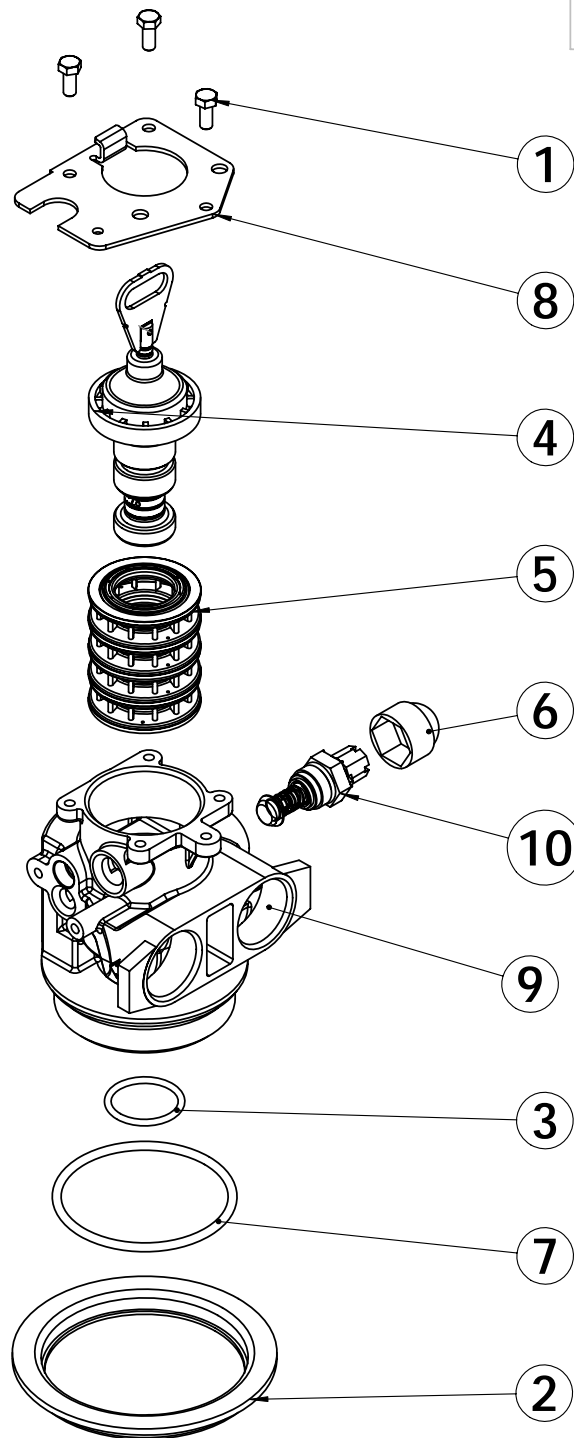
ITEM	QTY	PART NO.	DESCRIPTION	NOM
1	3	11737	SCREW	VIS
2	1	11965	CABINET RETAINER	BAGUE PLASTIQUE
3	1	BU13304-01	O-RING, 26,64 x 2,62	JOINT TORIQUE 26,64*2,62
4	1	BU13546	RETAINER, END PLUG	PLAQUE DE RETENUE
5	1	18928	PISTON ASSY 5600 FILTER	PISTON ASSEMBLE, 5600 FILTRE
6	1	24115	SEAL AND SPACER KIT 5600/4600 / 9000 (Upper Seals & Spacers Kit)	ENSEMBLE JOINTS ET ENTRETOISES
7	1	BU14066-10	VALVE BODY 4600 WITHOUT MIXING	CORPS DE VANNE 4600 SANS MITIGEUR
8	1	BU10381-01	JOINT TORIQUE	TANK O'RING



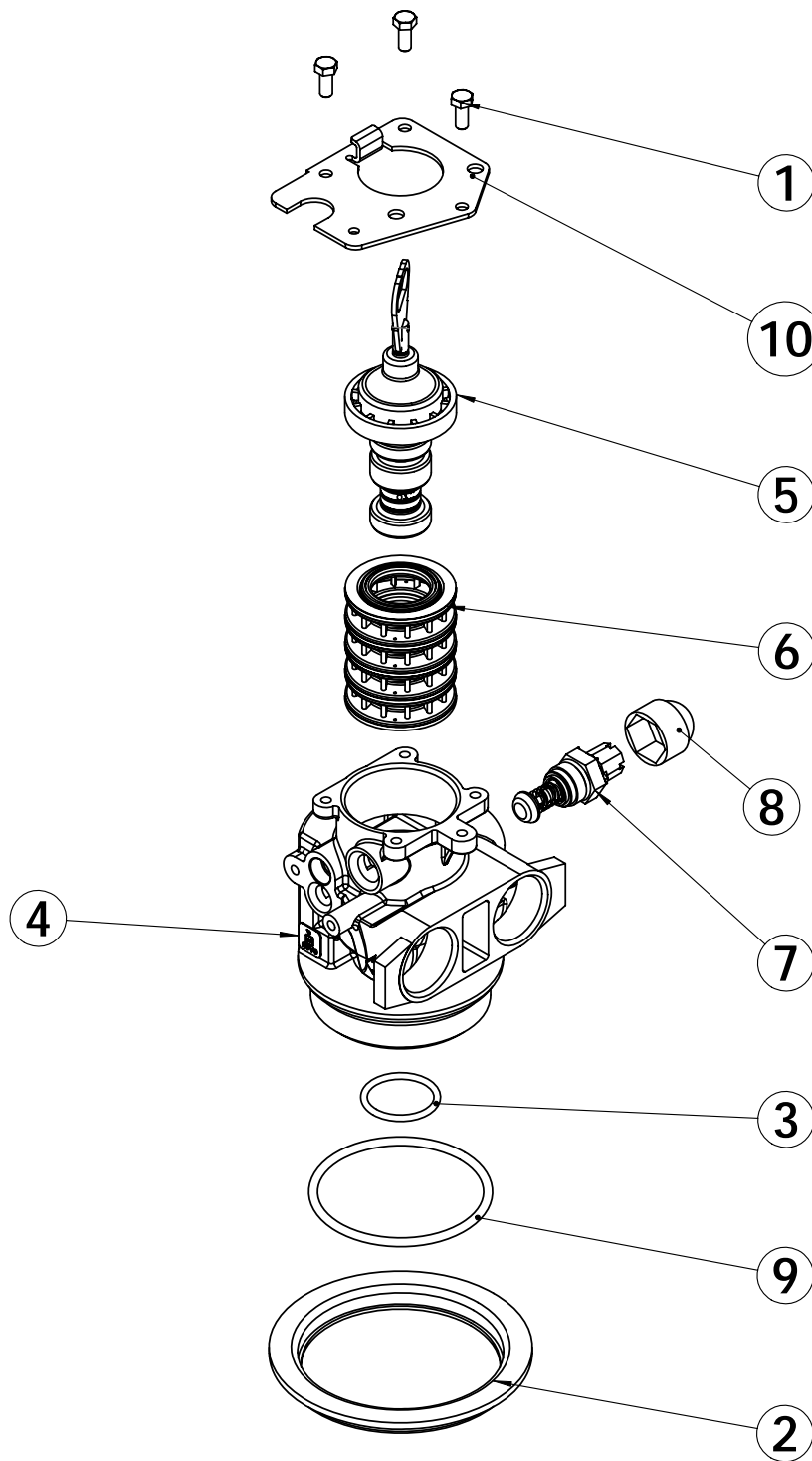
ITEM	QTY	PART NO.	DESCRIPTION	NOM
1	3	11737	SCREW	VIS
2	1	11965	CABINET RETAINER	BAGUE PLASTIQUE
3	1	BU13304-01	O-RING, 26,64 x 2,62	JOINT TORIQUE 26,64*2,62
4	1	24115	SEAL AND SPACER KIT 5600/4600 / 9000 (Upper Seals & Spacers Kit)	ENSEMBLE JOINTS ET ENTRETOISES
5	1	24116	PISTON ASSY STD 4600/5600	PISTON 4600/5600 STD ASSEMBLE
6	1	28454	PROTECTOR CAP FOR MIXING	CHAPEAU DE PROTECTION POUR MITIGEUR
7	1	BU10381-01	JOINT TORIQUE	TANK O'RING
8	1	BU13546	RETAINER, END PLUG	PLAQUE DE RETENUE
9	1	BU14066-20	VALVE BODY 4600 WITH MIXING	CORPS DE VANNE 4600 AVEC MITIGEUR
10	1	BU24509-01	NEW PROPORTIONAL MIXING ASSY	MITIGEUR PROPORTIONNEL ASSEMBLE



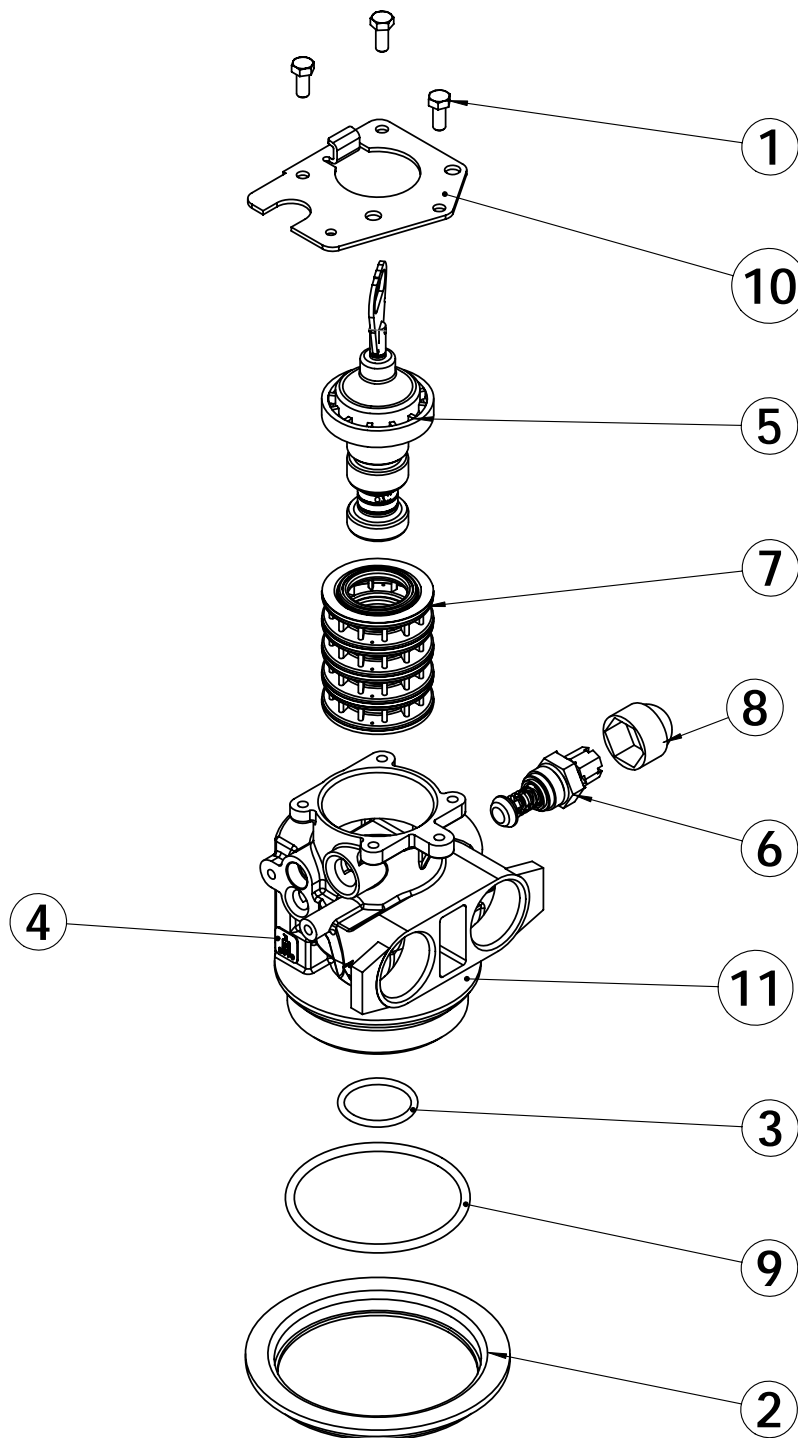
ITEM	QTY	PART NO.	DESCRIPTION	NOM
1	3	11737	SCREW	VIS
2	1	11965	CABINET RETAINER	BAGUE PLASTIQUE
3	1	BU13304-01	O-RING, 26,64 x 2,62	JOINT TORIQUE 26,64*2,62
4	1	24115	SEAL AND SPACER KIT 5600/4600 / 9000 (Upper Seals & Spacers Kit)	ENSEMBLE JOINTS ET ENTRETOISES
5	1	24117	PISTON ASSY LWU 4600/5600	PISTON 4600/5600 LWU ASSEMBLE
6	1	28454	PROTECTOR CAP FOR MIXING	CHAPEAU DE PROTECTION POUR MITIGEUR
7	1	BU10381-01	JOINT TORIQUE	TANK O-RING
8	1	BU13546	RETAINER, END PLUG	PLAQUE DE RETENUE
9	1	BU14066-20	VALVE BODY 4600 WITH MIXING	CORPS DE VANNE 4600 AVEC MITIGEUR
10	1	BU24509-01	NEW PROPORTIONAL MIXING ASSY	MITIGEUR PROPORTIONNEL ASSEMBLE



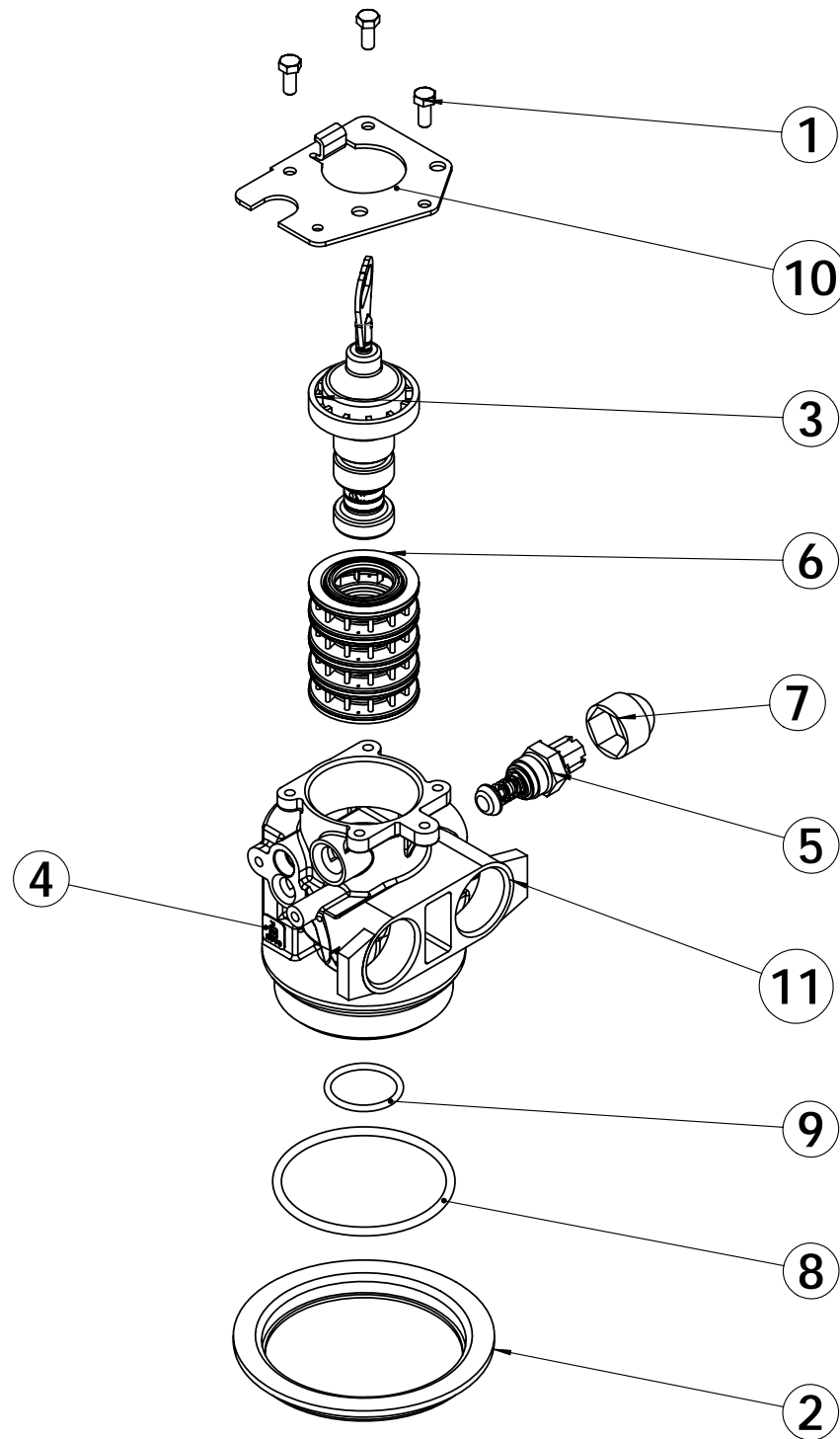
ITEM	QTY	PART NO.	DESCRIPTION	NOM
1	3	11737	SCREW	VIS
2	1	11965	CABINET RETAINER	BAGUE PLASTIQUE
3	1	BU13304-01	O-RING, 26,64 x 2,62	JOINT TORIQUE 26,64*2,62
4	1	18089	PISTON ASSY FAST REGEN 4600/5600	PISTON FAST REGEN ASSEMBLE 4600/5600
5	1	24115	SEAL AND SPACER KIT 5600/4600 / 9000 (Upper Seals & Spacers Kit)	ENSEMBLE JOINTS ET ENTRETOISES
6	1	28454	PROTECTOR CAP FOR MIXING	CHAPEAU DE PROTECTION POUR MITIGEUR
7	1	BU10381-01	JOINT TORIQUE	TANK O'RING
8	1	BU13546	RETAINER, END PLUG	PLAQUE DE RETENUE
9	1	BU14066-20	VALVE BODY 4600 WITH MIXING	CORPS DE VANNE 4600 AVEC MITIGEUR
10	1	BU24509-01	NEW PROPORTIONAL MIXING ASSY	MITIGEUR PROPORTIONNEL ASSEMBLE



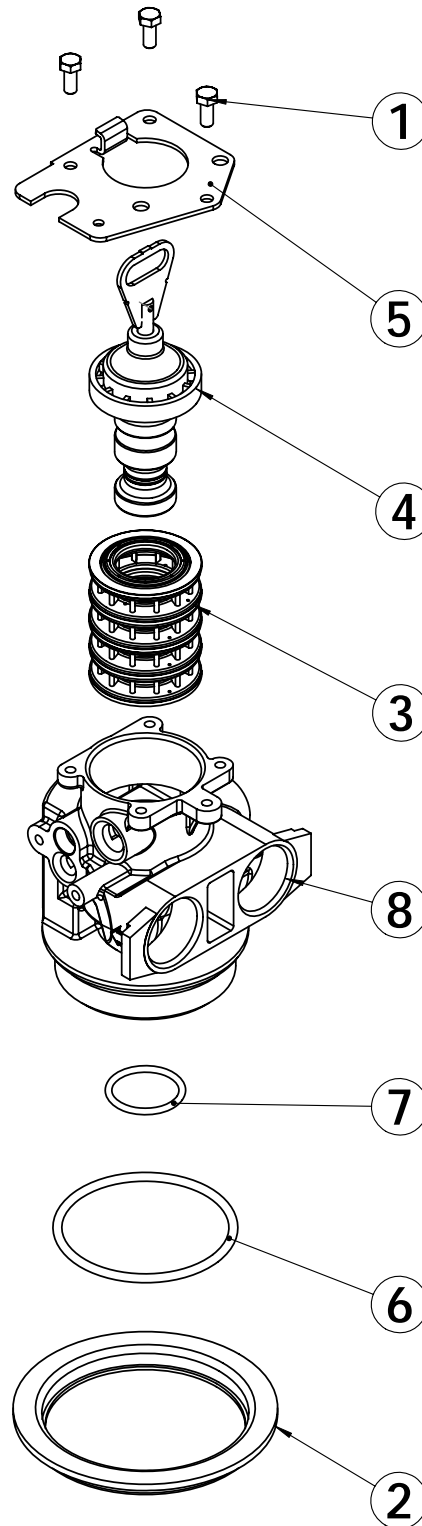
ITEM	QTY	PART NO.	DESCRIPTION	NOM
1	3	11737	SCREW	VIS
2	1	11965	CABINET RETAINER	BAGUE PLASTIQUE
3	1	BU13304-01	O-RING, 26,64 x 2,62	JOINT TORIQUE 26,64*2,62
4	1	BR18975	82°C LABEL,TEMPERATURE INDICATOR	ETIQUETTE 82°C TEMPERATURE
5	1	24116	PISTON ASSY STD 4600/5600	PISTON 4600/5600 STD ASSEMBLE
6	1	24944	SEALS AND SPACERS KIT 4600 HOT WATER / 9000 HOT WATER UPPER	KIT JOINT ET ENTRETOISE
7	1	24509-02	PROPORTIONAL MIXING ASSY (brass casting)	MITIGEUR PROPORTIONNEL ASSEMBLE (casting bronze)
8	1	28454	PROTECTOR CAP FOR MIXING	CHAPEAU DE PROTECTION POUR MITIGEUR
9	1	BU10381-01	JOINT TORIQUE	TANK O-RING
10	1	BU13546	RETAINER, END PLUG	PLAQUE DE RETENUE
11	1	BU14066-20	VALVE BODY 4600 WITH MIXING	CORPS DE VANNE 4600 AVEC MITIGEUR



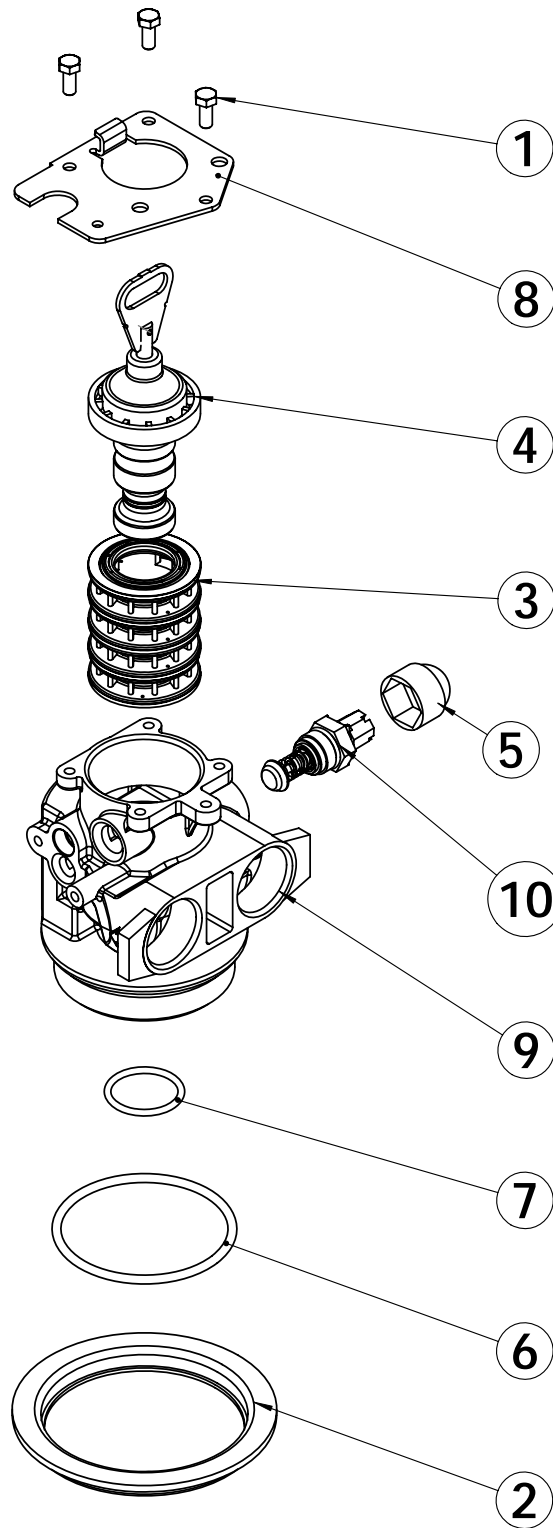
ITEM	QTY	PART NO.	DESCRIPTION	NOM
1	3	11737	SCREW	VIS
2	1	11965	CABINET RETAINER	BAGUE PLASTIQUE
3	1	BU13304-01	O-RING, 26,64 x 2,62	JOINT TORIQUE 26,64*2,62
4	1	BR18975	82°C LABEL, TEMPERATURE INDICATOR	ETIQUETTE 82°C TEMPERATURE
5	1	24117	PISTON ASSY LWU 4600/5600	PISTON 4600/5600 LWU ASSEMBLE
6	1	24509-02	PROPORTIONAL MIXING ASSY (brass casting)	MITIGEUR PROPORTIONNEL ASSEMBLE (casting bronze)
7	1	24944	SEALS AND SPACERS KIT 4600 HOT WATER / 9000 HOT WATER UPPER	KIT JOINT ET ENTRETOISE
8	1	28454	PROTECTOR CAP FOR MIXING	CHAPEAU DE PROTECTION POUR MITIGEUR
9	1	BU10381-01	JOINT TORIQUE	TANK O-RING
10	1	BU13546	RETAINER, END PLUG	PLAQUE DE RETENUE
11	1	BU14066-20	VALVE BODY 4600 WITH MIXING	CORPS DE VANNE 4600 AVEC MITIGEUR



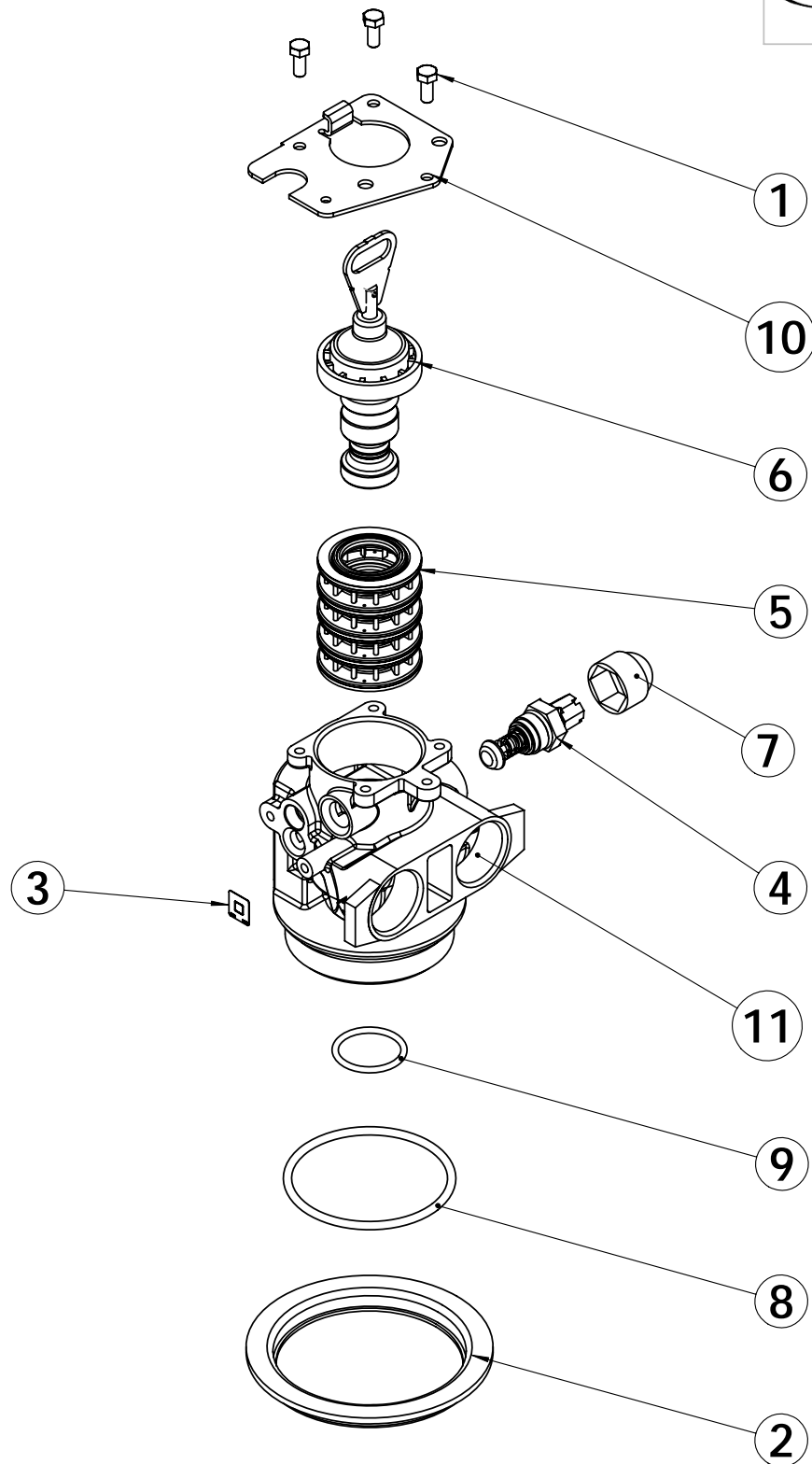
ITEM	QTY	PART NO.	DESCRIPTION	NOM
1	3	11737	SCREW	VIS
2	1	11965	CABINET RETAINER	BAGUE PLASTIQUE
3	1	18089	PISTON ASSY FAST REGEN 4600/5600	PISTON FAST REGEN ASSEMBLE 4600/5600
4	1	BR18975	82°C LABEL, TEMPERATURE INDICATOR	ETIQUETTE 82°C TEMPERATURE
5	1	24509-02	PROPORTIONAL MIXING ASSY (brass casting)	MITIGEUR PROPORTIONNEL ASSEMBLE (casting bronze)
6	1	24944	SEALS AND SPACERS KIT 4600 HOT WATER / 9000 HOT WATER UPPER	KIT JOINT ET ENTRETOISE
7	1	28454	PROTECTOR CAP FOR MIXING	CHAPEAU DE PROTECTION POUR MITIGEUR
8	1	BU10381-01	JOINT TORIQUE	TANK O'RING
9	1	BU13304-01	O-RING, 26,64 x 2,62	JOINT TORIQUE 26,64*2,62
10	1	BU13546	RETAINER, END PLUG	PLAQUE DE RETENUE
11	1	BU14066-20	VALVE BODY 4600 WITH MIXING	CORPS DE VANNE 4600 AVEC MITIGEUR



ITEM	QTY	PART NO.	DESCRIPTION	NOM
1	3	11737	SCREW	VIS
2	1	11965	CABINET RETAINER	BAGUE PLASTIQUE
3	1	24115	SEAL AND SPACER KIT 5600/4600 / 9000 (Upper Seals & Spacers Kit)	ENSEMBLE JOINTS ET ENTRETOISES
4	1	27077	PISTON ASSY ELECTRONIC DOWN FLOW	PISTON ASSEMBLE POUR ELECTRONIQUE DOWN FLOW
5	1	BU13546	RETAINER, END PLUG	PLAQUE DE RETENUE
6	1	BU10381-01	JOINT TORIQUE	TANK O-RING
7	1	BU13304-01	O-RING, 26,64 x 2,62	JOINT TORIQUE 26,64*2,62
8	1	BU14066-10	VALVE BODY 4600 WITHOUT MIXING	CORPS DE VANNE 4600 SANS MITIGEUR



ITEM	QTY	PART NO.	DESCRIPTION	NOM
1	3	11737	SCREW	VIS
2	1	11965	CABINET RETAINER	BAGUE PLASTIQUE
3	1	24115	SEAL AND SPACER KIT 5600/4600 / 9000 (Upper Seals & Spacers Kit)	ENSEMBLE JOINTS ET ENTRETOISES
4	1	27077	PISTON ASSY ELECTRONIC DOWN FLOW	PISTON ASSEMBLE POUR ELECTRONIQUE DOWN FLOW
5	1	28454	PROTECTOR CAP FOR MIXING	CHAPEAU DE PROTECTION POUR MITIGEUR
6	1	BU10381-01	JOINT TORIQUE	TANK O'RING
7	1	BU13304-01	O-RING, 26,64 x 2,62	JOINT TORIQUE 26,64*2,62
8	1	BU13546	RETAINER, END PLUG	PLAQUE DE RETENUE
9	1	BU14066-20	VALVE BODY 4600 WITH MIXING	CORPS DE VANNE 4600 AVEC MITIGEUR
10	1	BU24509-01	NEW PROPORTIONAL MIXING ASSY	MITIGEUR PROPORTIONNEL ASSEMBLE



ITEM	QTY	PART NO.	DESCRIPTION	NOM
1	3	11737	SCREW	VIS
2	1	11965	CABINET RETAINER	BAGUE PLASTIQUE
3	1	18976	65°C LABEL , TEMPERATURE INDICATOR	ETIQUETTE TEMPERATURE 65°C
4	1	24509-02	PROPORTIONAL MIXING ASSY (brass casting)	MITIGEUR PROPORTIONNEL ASSEMBLE (casting bronze)
5	1	24944	SEALS AND SPACERS KIT 4600 HOT WATER / 9000 HOT WATER UPPER	KIT JOINT ET ENTRETOISE
6	1	27077-01	PISTON ASSY ELECTRONIC HW DF	PISTON ASSEMBLE POUR ELECTRONIQUE DF HW
7	1	28454	PROTECTOR CAP FOR MIXING	CHAPEAU DE PROTECTION POUR MITIGEUR
8	1	BU10381-01	JOINT TORIQUE	TANK O'RING
9	1	BU13304-01	O-RING, 26,64 x 2.62	JOINT TORIQUE 26,64*2,62
10	1	BU13546	RETAINER, END PLUG	PLAQUE DE RETENUE
11	1	BU14066-20	VALVE BODY 4600 WITH MIXING	CORPS DE VANNE 4600 AVEC MITIGEUR