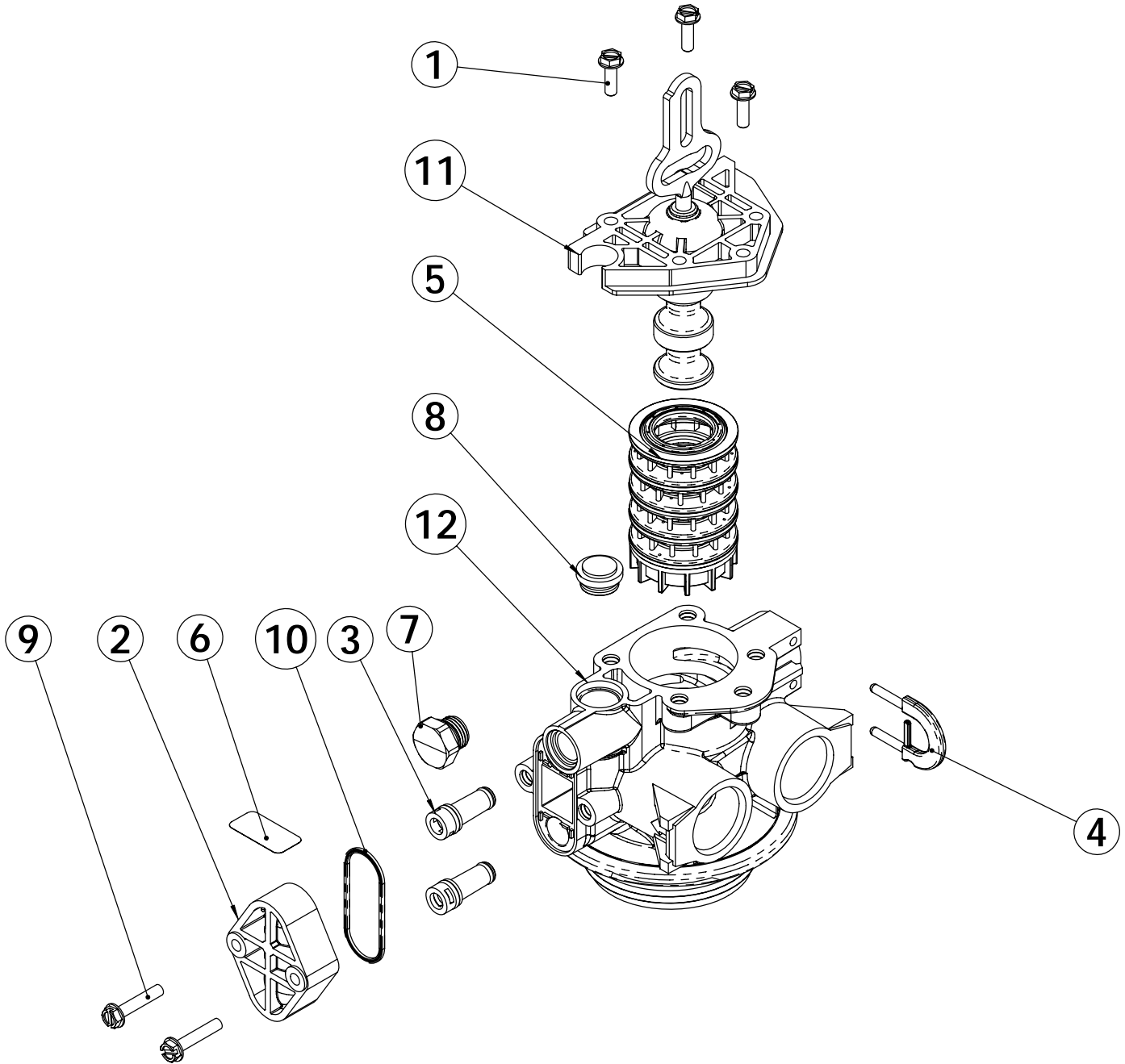


REVISIONS				
ECN	Rev.	Description	Date (dd/mm/yy)	Approved
	D	Added BU28519-04; 12473 was 18261 ; 18278-20 was 18278-30	3/06/09	LD



ITEM	QTY	PART NO.	DESCRIPTION	NOM
1	3	12473	SCREW 10-24 X 5/8	VIS 10-24 x 5/8
2	1	18277	CAP, INJECTOR	COUVERCLE, INJECTEUR
3	2	18276-01	INJECTOR PLUG ASSY 5000/8500	BOUCHON INJECTEUR ASSEMBLE
4	1	18312	RETAINING CLIP	CLIP DE RETENUE
5	1	26045	SEALS AND SPACERS KIT ASSY 5000	KIT JOINTS/ENTRETOISES Pour 5000
6	1	26110-10	LABEL	ETIQUETTE
7	1	26958	PLUG ASSY 5600 FILTER	BOUCHON ASSEMBLE 5600 FILTER
8	1	BR15155	BRINE VALE PLUG ASSY	BOUCHON CAME A SAUMURE ASSEMBLE
9	2	BR18262	SCREW, HEX WASHER HEAD, #10-24 X 1.00	VIS TETE HEXAGONAL #10-24
10	1	BR18301	SEAL, INJECTOR, 4200	JOINT
11	1	BU26080	PISTON ASSY 5000, UF & FILTER	PISTON ASSEMBLE 5000, UF & FILTRE
12	1	BU26073	VALVE BODY 5000 ASSY W/O MIXING	ENSEMBLE CORPS DE VANNE 5000 SANS MIXING



VALVE BODY ASSY 5000 SE FILTER

BU28519-01

CHAP. 25