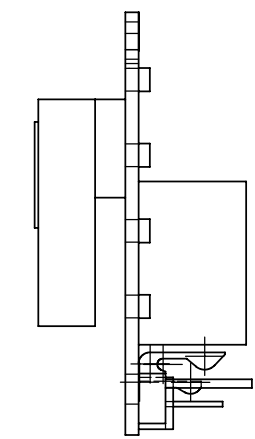
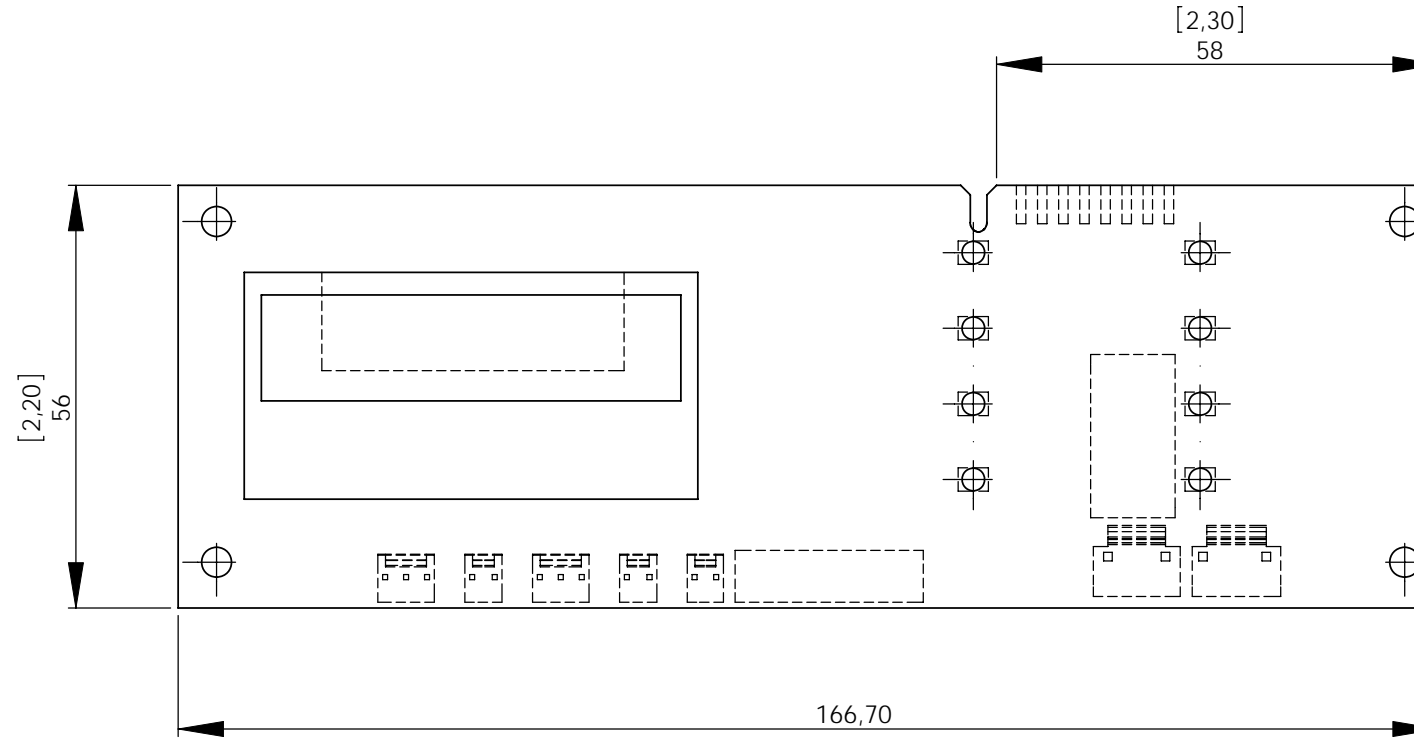
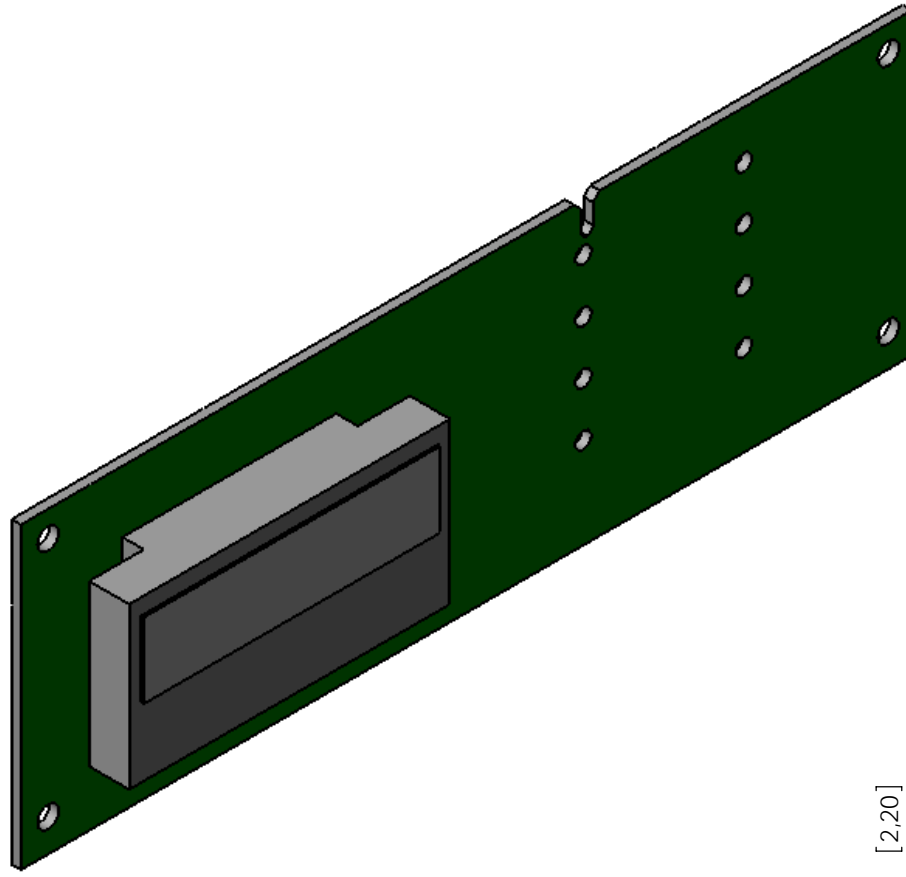
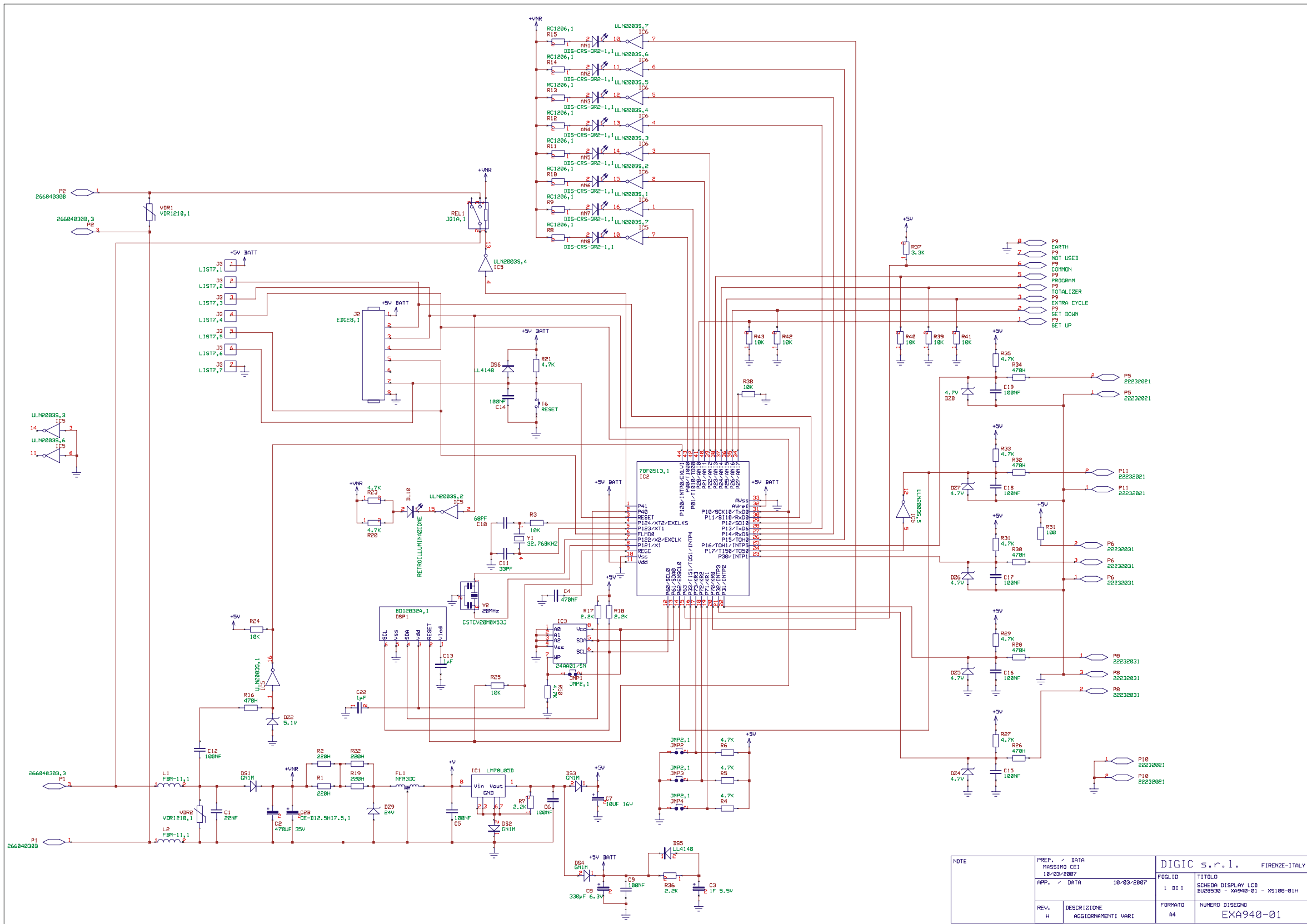


REVISIONS				
ECN	Rev.	Description	Date (dd/mm/yy)	Approved
F4292	A	ADD SHEETS 2 / 3 / 4 / 5 / 6 = TECHNICALS SPECS **	06/06/2007	LD
4685	B	Correction : changed general tolerances	28/02/2008	LD



<p>ROHS NOTES : THE COMPONENT, PART, OR ASSEMBLY DESCRIBED IN THIS DOCUMENT MUST COMPLY WITH THE FOLLOWING EU (EUROPEAN UNION) DIRECTIVES: RoHS DIRECTIVE 2002/95/EC, WEE DIRECTIVE 2002/96/EC, AND ELV DIRECTIVE 2000/53/EC. THESE DIRECTIVES RESTRICT THE USE OF LEAD, CADMIUM, MERCURY, CHROMIUM, PBB, PBDE, AND OTHER HAZARDOUS MATERIALS. SEE THE TERMS AND CONDITIONS OF THE CONTRACT (PURCHASE ORDER) FOR MORE INFORMATION.</p>															
<p>All drawings and specifications as well as processes, materials, compounds and other similar criteria are to be strictly adhered to. No modifications allowed without prior written approval.</p>	<p>THIRD ANGLE PROJECTION</p>		<p>Pentair Water France 140, Av Rolland Garros 78532 Buc cedex France</p>												
	<p>TOLERANCES (UNLESS OTHERWISE SPECIFIED)</p> <table border="0"> <tr> <td>25</td> <td>±0,4 mm</td> </tr> <tr> <td>25,0</td> <td>±0,25 mm</td> </tr> <tr> <td>25,00</td> <td>±0,10 mm</td> </tr> <tr> <td>ANGULAR</td> <td>±1°</td> </tr> <tr> <td>√</td> <td>3,2</td> </tr> </table> <p>Break all exposed sharp corners 0,25 x 45° max.</p>		25	±0,4 mm	25,0	±0,25 mm	25,00	±0,10 mm	ANGULAR	±1°	√	3,2	<p>Material: SEE NOTES</p>		<p>Title: Circuit board 6600/6700GFX 24V 1 Relay</p>
25	±0,4 mm														
25,0	±0,25 mm														
25,00	±0,10 mm														
ANGULAR	±1°														
√	3,2														
<p>DO NOT SCALE DRAWING DIMENSIONS = MM [inch]</p>		<p>Drawn: CHT</p>	<p>Date (dd/mm/yy): 28/02/08</p>	<p>Scale: 1:1</p>	<p>Filename: BU28530</p>	<p>Weight (kg): X</p>	<p>Sheet: 1 of 6</p>								
		<p>Approved: LD</p>	<p>Date (dd/mm/yy): 28/02/08</p>	<p>Size: A3</p>	<p>Part#: BU28530</p>	<p>Dwg#: BU28530</p>									

This drawing is the absolute property of Pentair Water France. It may not be reproduced in any form without the written permission of Pentair Water France.



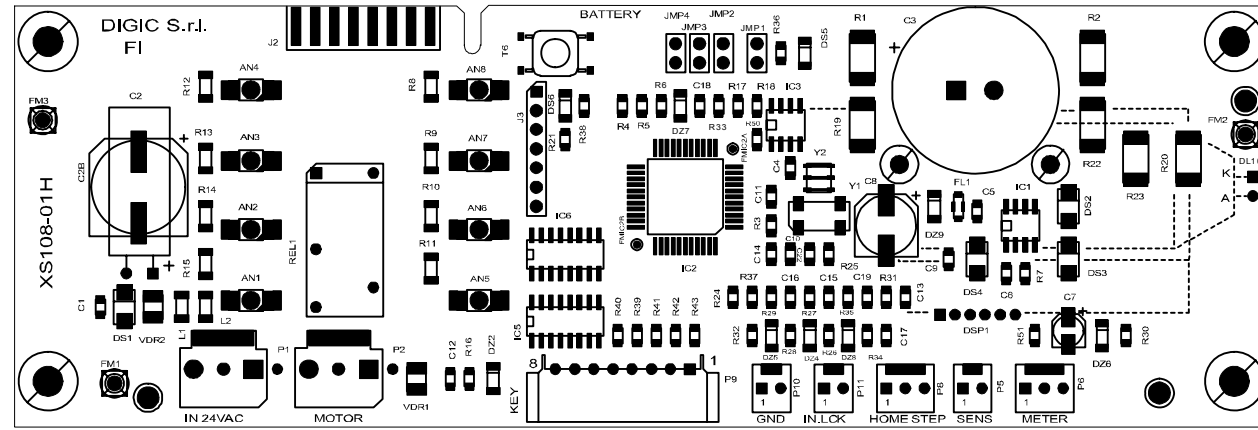
NOTE	PREP. / DATA MASSIMO CE1 18-03-2007	DIGIC s.r.l. FIRENZE-ITALY
APP. / DATA	10-03-2007	FOGLIO 1 DI 1
REV. H	DESCRIZIONE AGGIORNAMENTI VARI	TITOLO SCHEDA DISPLAY LCD BU28530 - XH948-01 - XS108-01H FORMATO A4 NUMERO DISEGNO EXA940-01

ROHS NOTES :
THE COMPONENT, PART, OR ASSEMBLY DESCRIBED IN THIS DOCUMENT MUST COMPLY WITH THE FOLLOWING EU (EUROPEAN UNION) DIRECTIVES:
RoHS DIRECTIVE 2002/95/EC, WEE DIRECTIVE 2002/96/EC, AND ELV DIRECTIVE 2000/53/EC. THESE DIRECTIVES RESTRICT THE USE OF LEAD, CADMIUM, MERCURY, CHROMIUM, PBB, PBDE, AND OTHER HAZARDOUS MATERIALS. SEE THE TERMS AND CONDITIONS OF THE CONTRACT (PURCHASE ORDER) FOR MORE INFORMATION.

All drawings and specifications as well as processes, materials, compounds and other similar criteria are to be strictly adhered to. No modifications allowed without prior written approval.	THIRD ANGLE PROJECTION		DENOTES CRITICAL DIMENSION DENOTES REVISION		Pentair Water France 140, Av Rolland Garros 78532 Buc cedex France		
	TOLERANCES (UNLESS OTHERWISE SPECIFIED): 25 ±0.4 mm 25.0 ±0.25 mm 25.00 ±0.10 mm ANGULAR ±1° Break all exposed sharp corners 0.25 x 45° max.				Material	SEE NOTES	Title
DO NOT SCALE DRAWING DIMENSIONS = MM [inch]	Drawn CHT	Date (dd/mm/yy) 28/02/08	Scale 1:1	Filename BU28530	Weight (kg) X	Sheet 2 of 1	
	Approved LD	Date (dd/mm/yy) 28/02/08	Size A3	Part# BU28530	Dwg# BU28530		

This drawing is the absolute property of Pentair Water France. It may not be reproduced in any form without the written permission of Pentair Water France.

COMPONENT PLACEMENT,
CIRCUIT BOARD, 6600-6700, 24V



<p>ROHS NOTES : THE COMPONENT, PART, OR ASSEMBLY DESCRIBED IN THIS DOCUMENT MUST COMPLY WITH THE FOLLOWING EU (EUROPEAN UNION) DIRECTIVES: RoHS DIRECTIVE 2002/95/EC, WEE DIRECTIVE 2002/96/EC, AND ELV DIRECTIVE 2000/53/EC. THESE DIRECTIVES RESTRICT THE USE OF LEAD, CADMIUM, MERCURY, CHROMIUM, PBB, PBDE, AND OTHER HAZARDOUS MATERIALS. SEE THE TERMS AND CONDITIONS OF THE CONTRACT (PURCHASE ORDER) FOR MORE INFORMATION.</p>					
<p>All drawings and specifications as well as processes, materials, compounds and other similar criteria are to be strictly adhered to. No modifications allowed without prior written approval.</p>	<p>THIRD ANGLE PROJECTION</p>		<p>Pentair Water France 140, Av Rolland Garros 78532 Buc cedex France</p>		
	<p>△ DENOTES CRITICAL DIMENSION □ DENOTES REVISION</p>				
<p>TOLERANCES (UNLESS OTHERWISE SPECIFIED)</p> <p>25 ±0.4 mm 25.0 ±0.25 mm 25.00 ±0.10 mm</p> <p>ANGULAR ±1°</p> <p>√ 3.2 Break all exposed sharp corners 0.25 x 45° max.</p>	<p>Material</p> <p>SEE NOTES</p>		<p>Title</p> <p>CIRCUIT BOARD 6600/6700 GFX, 24V</p>		
	<p>Drawn</p> <p>CHT</p>	<p>Date (dd/mm/yy)</p> <p>28/02/08</p>	<p>Scale</p> <p>1:1</p>	<p>Filename</p> <p>BU28530</p>	<p>Weight (kg)</p> <p>X</p>
<p>DO NOT SCALE DRAWING DIMENSIONS = MM [inch]</p>	<p>Approved</p> <p>LD</p>	<p>Date (dd/mm/yy)</p> <p>28/02/08</p>	<p>Size</p> <p>A3</p>	<p>Part#</p> <p>BU28530</p>	<p>Dwg#</p> <p>BU28530</p>

This drawing is the absolute property of Pentair Water France. It may not be reproduced in any form without the written permission of Pentair Water France.

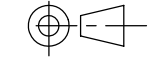
BU 28530 ... BILL OF MATERIAL
CIRCUIT BOARD, 6600-6700, 24V



SCHEDA BU28530 - XA940-01

ITEM	REF. DESIGNATION(S°)	Codes	PART DESCRIPTION	QTE
1	AN1-AN2-AN3-AN4-AN5-AN6-AN7-AN8	LED-RED-REV	LED ROSSO REVERSE SMD -DDS-CRS-QR2-1	8
2	C1	CM-22N0805	22NF -COND. CER. 0805	1
3	C10	CM-68P0805	68PF -COND. CER. 0805	1
4	C11	CM-33P0805	33PF -COND. CER. 0805	1
5	C5-C6-C9-C12-C14-C15-C16-C17-C18-C19	CM-100N0805	100NF -COND. CER. 0805	10
6	C13-C22	CM-1UF0805	1µF -COND. CER. 0805	2
7	C2	CE-470UF50NO	COND. ELETT. 470µF 50V	1
8	C4	CM-470N0805	470NF -COND. CER. 0805	1
9	C7	CE-10UF35SMD	10UF 16V -COND. ELETT. SMD -4x5,5mm	1
10	C8	CE-330UF6.3SM	330µF 6.3V -COND. ELETT.SMD -8x6mm	1
11	DL10	XD003-01	LED RETROILLUMINAZIONE	1
12	DS1-DS2-DS3-DS4	DI-SN1M	GN1M	4
13	DS5-DS6	DI-LL4148	LL4148	2
14	DSP1	XD001-01	DISPLAY LCD GRAFICO CUSTOM 128x32 PIXEL	1
15	C3	CE-0.22F5.5V	SUPERCAPACITOR 0,22F 5,5V	1
16	DZ2	DZ-5.1VMM	5.1V -DIODO ZENER MINIMELF	1
17	DZ4-DZ5-DZ6-DZ7-DZ8	DZ-4.7VMM	4.7V -DIODO ZENER MINIMELF	5
18	DZ9	DZ-24VMM	24V -DIODO ZENER MINIMELF	1
19	FL1	FLT-22N100VSM	NFM3DC -FILTRO SMD	1
20	IC1	CI-78L05SMD	LM78L05D -REGOL. 5V SOIC8	1
21	IC2	CI-78F0513	78F0513 -MICRO NEC QFP44	1
22	IC3	CI-24AA01	24AA01/SN -EEPROM I2C SOIC8	1
23	IC5-IC6	CI-ULN2003S	ULN2003S -DRIVER SOIC16	2
24	J3	STR-1	STRIP 1 POLO (POLI)	7
25	JMP1-JMP2-JMP3-JMP4	STR-1	STRIP 1 POLO (POLI)	8
26	L1 -L2	IND-BLM31A	INDUTTANZA SMD RFBM-11	2
27	P1-P2	CON-M3P3.96	26604030B CONNETTORE MOLEX 3 POLI PASSO 3,96mm	2
28	P5-P10-P11	CON-M2PD	22232021 CONNETTORE MOLEX 2 POLI DRITTO PASSO 2,54mm	3
29	P6-P8	CON-M3PD	22232031 CONNETTORE MOLEX 3 POLI DRITTO PASSO 2,54mm	2
30	P9	CON-FLAT8P90	CONNETTORE 8 POLI 90 GRADI PER FLAT	1
31	R1-R2-R19-R22	RES-220H2512	220H -RESISTENZA 2512	4
32	R8-R9-R10-R11-R12-R13-R14-R15	RES-2.2K1206	2.2K -RESISTENZA 1206	8
33	R16-R26-R28-R30-R32-R34	RES-470H0805	470H -RESISTENZA 0805	6
34	R7-R17-R18-R36	RES-2.2K0805	2.2K -RESISTENZA 0805	4
35	R4-R5-R6-R21-R27-R29-R31-R33-R35-R50	RES-4.7K0805	4.7K -RESISTENZA 0805	10
36	R20 (O R23)	RES-4.7K2512	4.7K -RESISTENZA 2512	1
37	R3-R24-R25-R38-R39-R40-R41-R42-R43	RES-10K0805	10K -RESISTENZA 0805	9
38	R37	RES-3.3K0805	3.3K -RESISTENZA 0805	1
39	R51	RES-100H0805	100H -RESISTENZA 0805	1
40	REL1	REL-JQ1A-24V	JQ1A RELE' 24V	1
41	T6	TAS-3	TASTO SMD 6X6	1
42	VDR1-VDR2	VR-47-1206	VARISTORE 1206	2
43	Y1	QUA-32KHZ-SMD	32.768KHZ -QUARZO SMD	1
44		XS108-01H	CIRCUITO STAMPATO	1

ROHS NOTES :
THE COMPONENT, PART, OR ASSEMBLY DESCRIBED IN THIS DOCUMENT MUST COMPLY WITH THE FOLLOWING EU (EUROPEAN UNION) DIRECTIVES:
RoHS DIRECTIVE 2002/95/EC, WEE DIRECTIVE 2002/96/EC, AND ELV DIRECTIVE 2000/53/EC. THESE DIRECTIVES RESTRICT THE USE OF LEAD, CADMIUM, MERCURY, CHROMIUM, PBB, PBDE, AND OTHER HAZARDOUS MATERIALS SEE THE TERMS AND CONDITIONS OF THE CONTRACT (PURCHASE ORDER) FOR MORE INFORMATION.


All drawings and specifications as well as processes, materials, compounds and other similar criteria are to be strictly adhered to. No modifications allowed without prior written approval.

THIRD ANGLE PROJECTION 

 DENOTES CRITICAL DIMENSION
 DENOTES REVISION

TOLERANCES (UNLESS OTHERWISE SPECIFIED)
25 ±0.4 mm
25.0 ±0.25 mm
25.00 ±0.10 mm
ANGULAR ±1°
3.2
Break all exposed sharp corners 0.25 x 45° max.

DO NOT SCALE DRAWING DIMENSIONS = MM [inch]

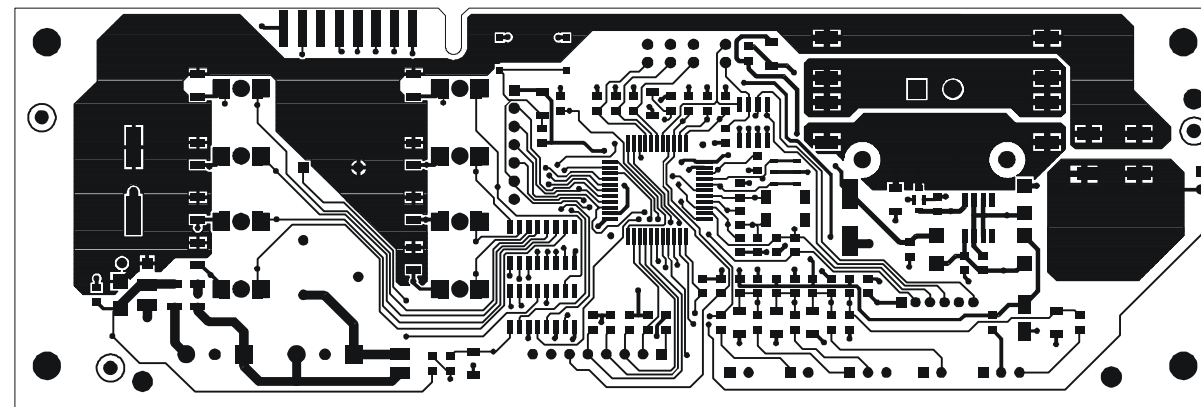
 Pentair Water France
140, Av Rolland Garros
78532 Buc cedex
France

Title
CIRCUIT BOARD 6600/6700 GFX, 24V

Drawn CHT	Date (dd/mm/yy) 28/02/08	Scale 1:1	Filename BU28530	Weight (kg) X	Sheet 4 of 6
Approved LD	Date (dd/mm/yy) 28/02/08	Size A3	Part# BU28530	Dwg# BU28530	

This drawing is the absolute property of Pentair Water France. It may not be reproduced in any form without the written permission of Pentair Water France.

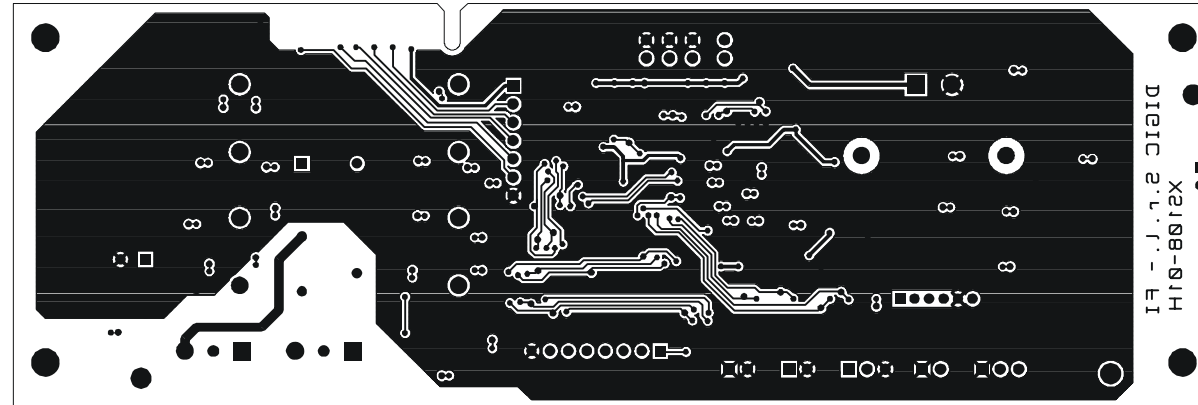
COMPONENT LAYER ,
CIRCUIT BOARD, 6600-6700, 24V

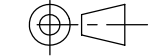



<p>ROHS NOTES : THE COMPONENT, PART, OR ASSEMBLY DESCRIBED IN THIS DOCUMENT MUST COMPLY WITH THE FOLLOWING EU (EUROPEAN UNION) DIRECTIVES: RoHS DIRECTIVE 2002/95/EC, WEE DIRECTIVE 2002/96/EC, AND ELV DIRECTIVE 2000/53/EC. THESE DIRECTIVES RESTRICT THE USE OF LEAD, CADMIUM, MERCURY, CHROMIUM, PBB, PBDE, AND OTHER HAZARDOUS MATERIALS. SEE THE TERMS AND CONDITIONS OF THE CONTRACT (PURCHASE ORDER) FOR MORE INFORMATION.</p>						
<p>All drawings and specifications as well as processes, materials, compounds and other similar criteria are to be strictly adhered to. No modifications allowed without prior written approval.</p>	<p>THIRD ANGLE PROJECTION</p>		<p>Pentair Water France 140, Av Rolland Garros 78532 Buc cedex France</p>			
	<p>Material</p> <p>SEE NOTES</p>		<p>Title</p> <p>CIRCUIT BOARD 6600/6700 GFX, 24V</p>			
<p>TOLERANCES (UNLESS OTHERWISE SPECIFIED)</p> <p>25 ±0.4 mm 25.0 ±0.25 mm 25.00 ±0.10 mm</p> <p>ANGULAR ±1°</p> <p>√ 3.2 Break all exposed sharp corners 0.25 x 45° max.</p>	<p>Drawn</p> <p>CHT</p>	<p>Date (dd/mm/yy)</p> <p>28/02/08</p>	<p>Scale</p> <p>1:1</p>	<p>Filename</p> <p>BU28530</p>	<p>Weight (kg)</p> <p>X</p>	<p>Sheet</p> <p>5 of 6</p>
<p>DO NOT SCALE DRAWING DIMENSIONS = MM [inch]</p>	<p>Approved</p> <p>LD</p>	<p>Date (dd/mm/yy)</p> <p>28/02/08</p>	<p>Size</p> <p>A3</p>	<p>Part#</p> <p>BU28530</p>	<p>Dwg#</p> <p>BU28530</p>	

This drawing is the absolute property of Pentair Water France. It may not be reproduced in any form without the written permission of Pentair Water France.

SOLDER LAYER,
CIRCUIT BOARD, 6600-6700, 24V



<p>ROHS NOTES : THE COMPONENT, PART, OR ASSEMBLY DESCRIBED IN THIS DOCUMENT MUST COMPLY WITH THE FOLLOWING EU (EUROPEAN UNION) DIRECTIVES: RoHS DIRECTIVE 2002/95/EC, WEE DIRECTIVE 2002/96/EC, AND ELV DIRECTIVE 2000/53/EC. THESE DIRECTIVES RESTRICT THE USE OF LEAD, CADMIUM, MERCURY, CHROMIUM, PBB, PBDE, AND OTHER HAZARDOUS MATERIALS. SEE THE TERMS AND CONDITIONS OF THE CONTRACT (PURCHASE ORDER) FOR MORE INFORMATION.</p>								
<p>All drawings and specifications as well as processes, materials, compounds and other similar criteria are to be strictly adhered to. No modifications allowed without prior written approval.</p>	<p>THIRD ANGLE PROJECTION</p> 		 <p>Pentair Water France 140, Av Rolland Garros 78532 Buc cedex France</p>					
	<p>△ DENOTES CRITICAL DIMENSION △ DENOTES REVISION</p>		<p>Title CIRCUIT BOARD 6600/6700 GFX, 24V</p>					
<p>TOLERANCES (UNLESS OTHERWISE SPECIFIED) 25 ±0.4 mm 25.0 ±0.25 mm 25.00 ±0.10 mm ANGULAR ±1° 3.2 Break all exposed sharp corners 0.25 x 45° max.</p>	<p>Material SEE NOTES</p>		<p>Drawn CHT</p>	<p>Date (dd/mm/yy) 28/02/08</p>	<p>Scale 1:1</p>	<p>Filename BU28530</p>	<p>Weight (kg) X</p>	<p>Sheet 6 of 6</p>
<p>DO NOT SCALE DRAWING DIMENSIONS = MM [inch]</p>	<p>Approved LD</p>	<p>Date (dd/mm/yy) 28/02/08</p>	<p>Size A3</p>	<p>Part# BU28530</p>	<p>Dwg# BU28530</p>			