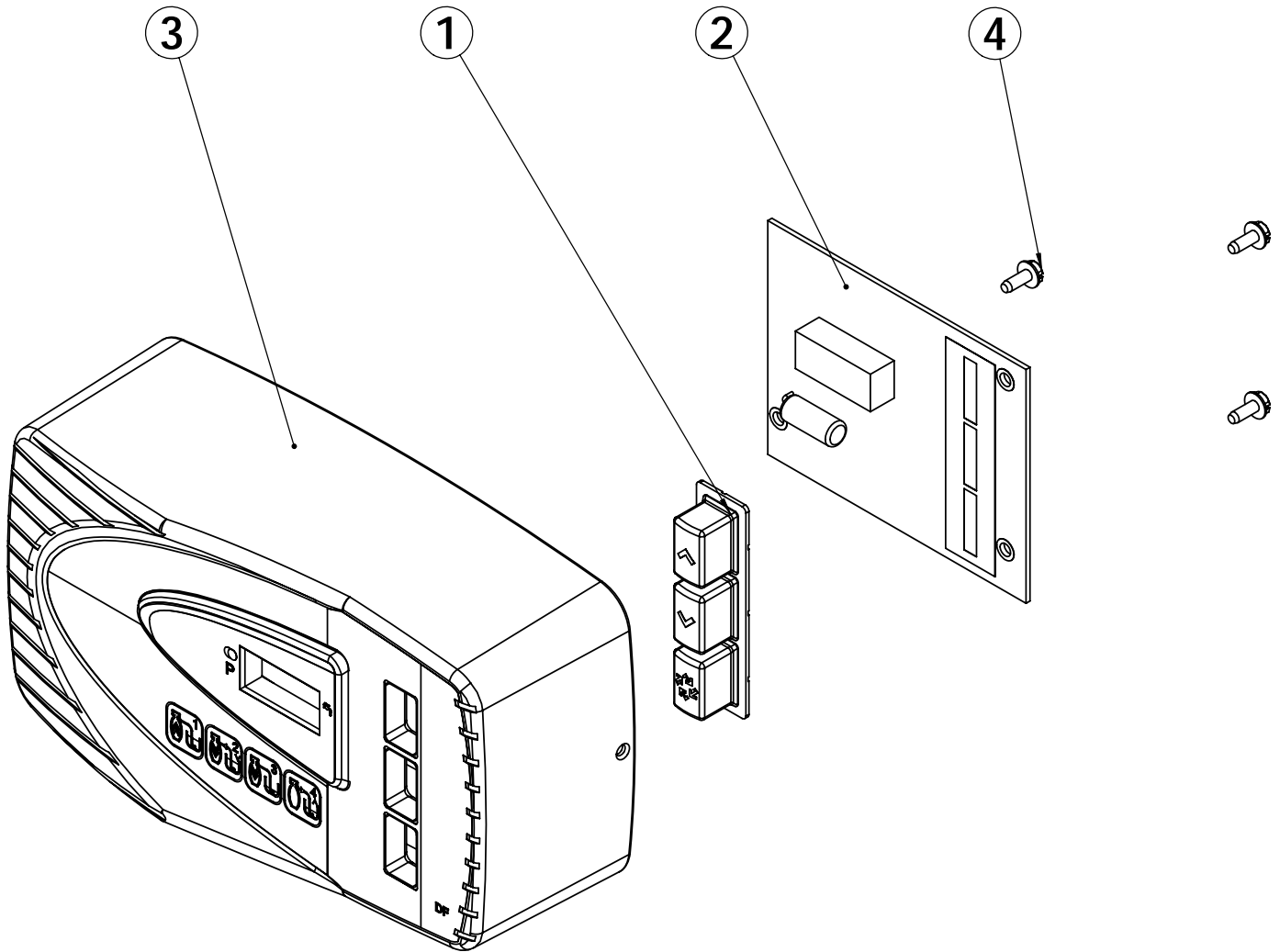


REVISIONS				
ECN	Rev.	Description	Date (dd/mm/yy)	Approved
	A	CREATED		LD
4947	B	17798 WAS 13296	24/03/09	LD
5230	C	17020 was 17798	27/07/10	CHT



ITEM	PN	DESCRIPTION	QTY
1	28035	PAD BUTTON VERTICAL	1
2	28036	CIRCUIT BOARD FOR NEW DESIGN	1
3	28482	Cover w/label Assy 5600 ES DOWN FLOW	1
4	BU17020	SCREW, HEX WASHER HEAD, #6-20 X .38	3



FRONT PANEL ASSY 4600/5600 ES DF

BU28536

CHAP. 28