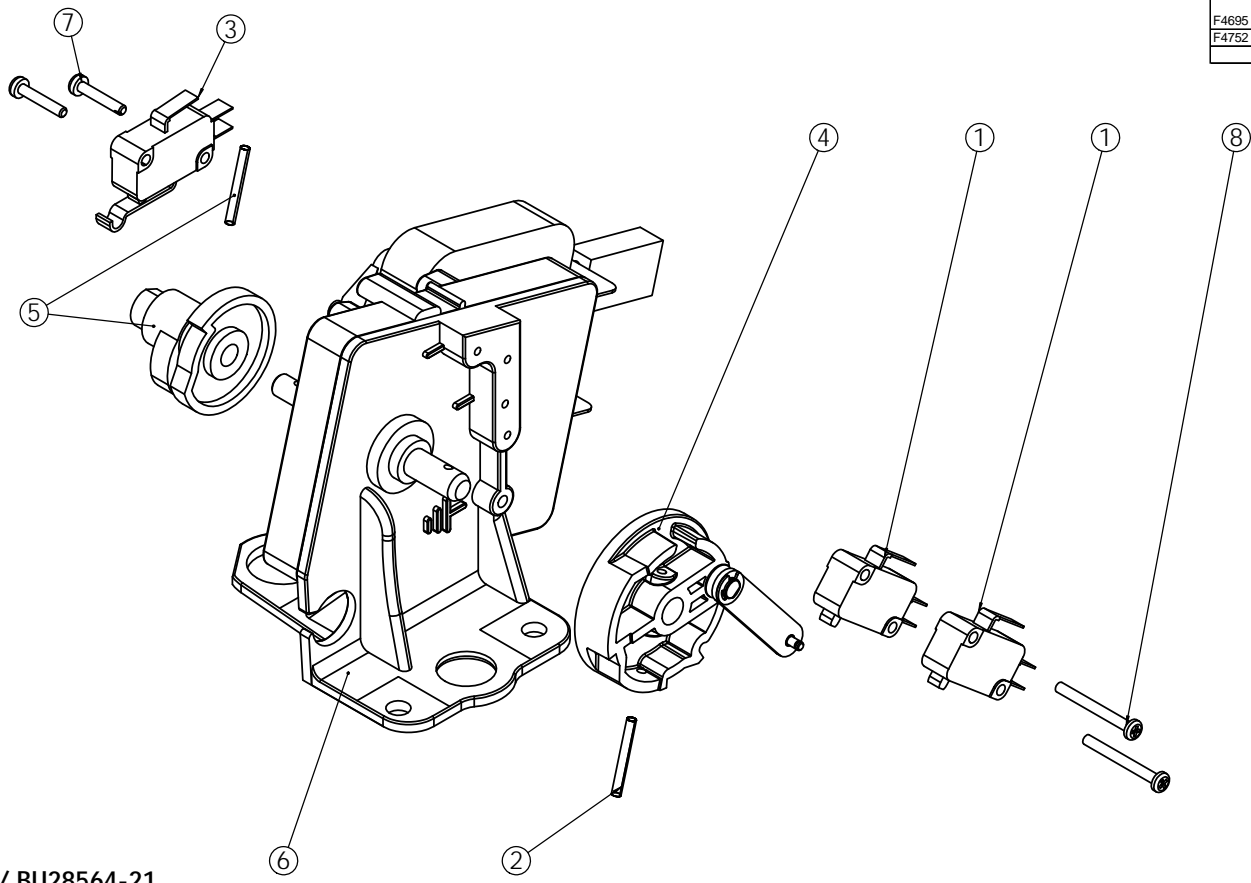


ECN	Rev.	Description	Date (dd/mm/yy)	Approved
F4695	B	Redrawn : Suppress Insulators * BR41544 / BR41543 New Motors for 24v and 115 Volts ** Versions -03 / -13 / - 23 keep the 40386 Motor **	14/03/08	LD
F4752	C	BR10909 was 10909	02/06/2008	MP/LD
	D	Replaced 24215, 24265, 40386, 11826-02 by BR41545	18/12/2008	LD



24 Volts Versions:
BU28564-01 / BU28564-11 / BU28564-21

115 Volts Versions :
BU28564-02 / BU28564-12 / BU28564-22

230 Volts versions
BU28564-03 / BU28564-13 / BU28564-23

2870 with switch	2870 Without Switch	2870 FILTER Valves
---------------------	------------------------	-----------------------

OBSOLETE
see F5613

ITEM	PART N°.	DESCRIPTION	BU28564-01	BU28564-11	BU28564-21	BU28564-02	BU28564-12	BU28564-22	BU28564-03	BU28564-13	BU28564-23
1	10218	MICROSWITCH	2	2	2	2	2	2	2	2	-
2	BR10338	PIN, ROLL, 2900/3900	1	1	1	1	1	1	1	1	1
3	10896	MICROSWITCH	1	-	-	1	-	-	1	-	-
4	BU28563	DRIVE CAM S.T.F ASSY 2910	1	1	1	1	1	1	1	1	1
5	28389	KIT CAM DOWN FLOW & ROLL PIN FOR 2510/2750/2850/2870/2910	1	1	-	1	1	-	1	1	1
6	BR41544	MOTOR, DRIVE, 24V/ 50-60 HZ	1	1	1	-	-	-	-	-	-
7	BR11805	SCREW TC N°4-40 UNC 2A	2	-	-	2	-	-	2	-	-
8	BR14923	SCREW,PAN HD MACH.4-40 X 1	2	2	2	2	2	2	2	2	-
9	BR41543	MOTOR, DRIVE, 115V, 60 Hz	-	-	-	1	1	1	-	-	-
10	BR41545	MOTOR, DRIVE, 230V/ 50-60 HZ	-	-	-	-	-	-	1	1	1

ROHS NOTES :
THE COMPONENT, PART, OR ASSEMBLY DESCRIBED IN THIS DOCUMENT MUST COMPLY WITH THE FOLLOWING EU (EUROPEAN UNION) DIRECTIVES:
ROHS DIRECTIVE 2002/95/EC, WEE DIRECTIVE 2002/96/EC, AND ELV DIRECTIVE 2000/53/EC.
THESE DIRECTIVES RESTRICT THE USE OF LEAD, CADMIUM, MERCURY, CHROMIUM, PBB, PBDE, AND OTHER HAZARDOUS MATERIALS.
SEE THE TERMS AND CONDITIONS OF THE CONTRACT (PURCHASE ORDER) FOR MORE INFORMATION.

All drawings and specifications as well as processes, materials, compounds and other similar criteria are to be strictly followed to. No modifications allowed without prior written approval. TOLERANCES UNLESS OTHERWISE SPECIFIED: 25.00 ±0.05 mm 25.00 ±0.10 mm ANGULAR ±0.2° Break all exposed sharp corners to 2.0 x 45° min. DO NOT SCALE DRAWING DIMENSIONS - MM (inch)	THRD ANGLE PROJECTION 	 Pentair Water France 14, Av. Rolland Garros 78532 Buc cedex France			
	DENOTES CRITICAL DIMENSION DENOTES REVISION 		Title DRIVE MOTOR ASSY XX VOLTS for 2870 (Specify voltage)		
Drawn MAN	Date (dd/mm/yy) 13/03/2008	Scale 1:1	Filenames BU28564-XX	Weight (kg) X	Sheet 1 of 1
Approved LD	Date (dd/mm/yy) 13/03/2008	Size A2	Part # BU28564-XX	Dwg # BU28564-XX	

This drawing is the sole property of Pentair Water France. It may not be reproduced in any form without the written permission of Pentair Water France.