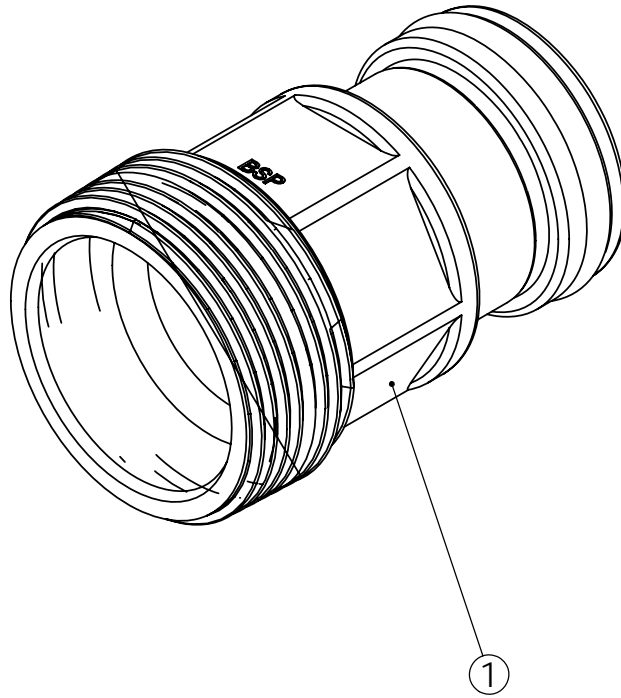


REVISIONS				
ECN	Rev.	Description	Date (dd/mm/yy)	Approved
F	A	CREATION	8/10/07	LD



ITEM	QTY	PART NO.	DESCRIPTION	NOM
1	1	BR42241-11	CONNECTOR ASSY, 1"1/2 BSP, PLASTIC	CONNECTEUR 1"1/2 BSP, PLASTIC ASSEMBLE



CONNECTOR ASSY, 1 1/2" BSP, PLASTIC

**BU28569**  
Chap.14