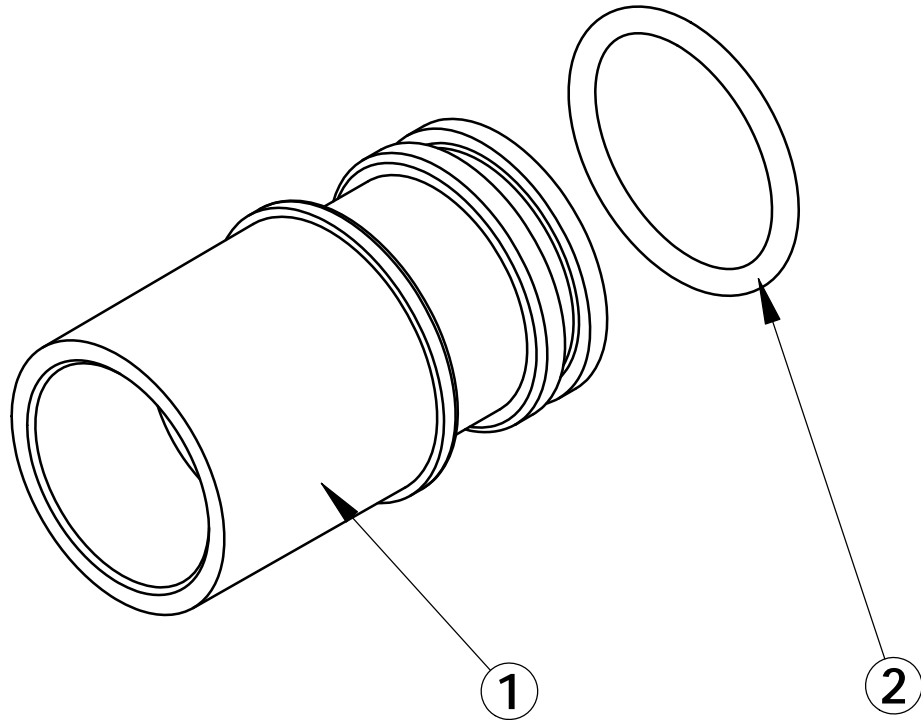


REVISIONS				
ECN	Rev.	Description	Date (dd/mm/yy)	Approved
F4532	A	CREATED ON SOLIDWORKS	17/10/07	LD
F5609	B	OBSOLETISATION	21/11/2012	MAN



**OBSOLETE
SEE ECO F5609**

ITEM NO.	PART NUMBER	QTY.	DESCRIPTION
1	28460	1	PVC CONNECTOR, 32mm, 7000
2	40951	1	O-RING, -220

	CONNECTOR ASSY 32 mm	BU28571
--	-----------------------------	----------------