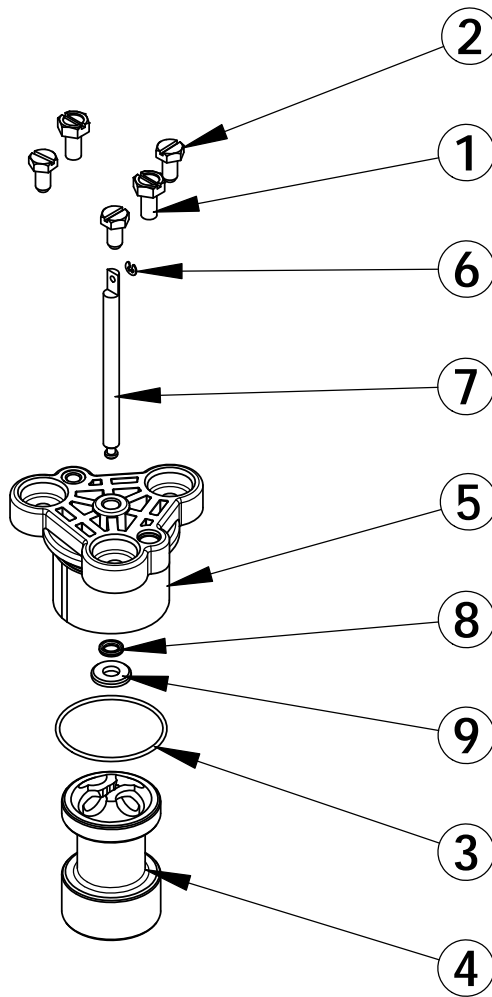


REVISIONS				
ECN	Rev.	Description	Date (dd/mm/yy)	Approved
F4454	A	CREATION	3/12/07	LD
F5157	B	BU40952 was BR40952	03/05/2010	MP



OBSOLETE
see F5613

ITEM	PN	DESCRIPTION	PISTON 2870 STD BU28575 QTY	PISTON 2870 HW BU28575-01 QTY
1	BR10231	SCREW, SLOTTED, INDENTED HEX HEAD, 1/4 - 20 X .50	2	2
2	23728	SCREW	3	3
3	BU40952	O-RING, -.030	1	1
4	BR42177	PISTON, 2850	1	1
5	BR42181	PLUG,END,2850S,3 BOLT	1	-
5	BR42181-01	PLUG,END,2850S,3 BOLT	-	1
6	BR42302	RING, RETAINING	1	1
7	BR42394	Piston Rod	1	1
8	BU10209-01	QUAD RING DURO=60	1	1
9	BU13008	RETAINER, END PLUG SEAL	1	1



PISTON ASSY 2870 STD

BU28575-XX

CHAP. 19