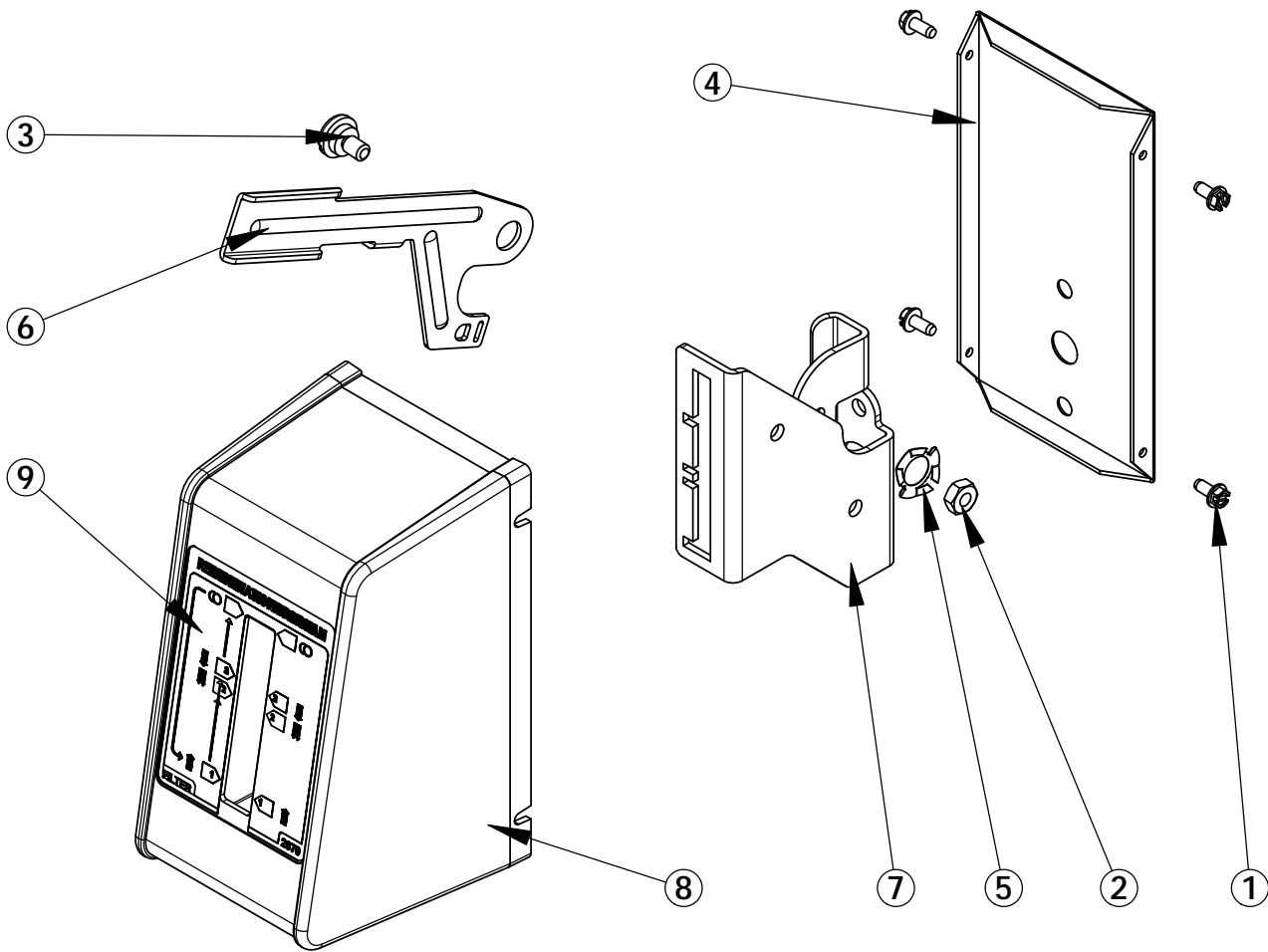


REVISIONS				
ECN	Rev.	Description	Date (dd/mm/yy)	Approved
	A	CREATED ON SOLIDWORKS	3/12/07	LD
	B	BR41740 was 41740	02/01/2008	LD



OBSOLETE
 see F5613

ITEM	PN	DESCRIPTION	BU28576-01	BU28576-02
			2870 SOFTENER	2870 FILTER
			QTY	QTY
1	BR10300	SCREW, SLOT HEX WSH, 8-18 X 3/8	4	4
2	BR11235	1/4-20 HEX, NUT	1	1
3	12596	SCREW, SPEC MACH, 1/4-20 X 1/2	1	1
4	BR12593	BACK PLATE, MANUAL VALVE	1	1
5	BR12707	WASHER, SPRING	1	1
6	BR42185	LEVER, VALVE POSITION	1	1
7	BR42186	BRACKET, LEVER POSITION	1	1
8	BR41740	COVER, MANUAL CONTROL	1	1
9	BU28578	LABEL, 2870 MANUAL SOFTENER	1	-
9	BU28579	LABEL, 2870 MANUAL FILTER	-	1



POWER HEAD 2870, MANUAL

BU28576-xx