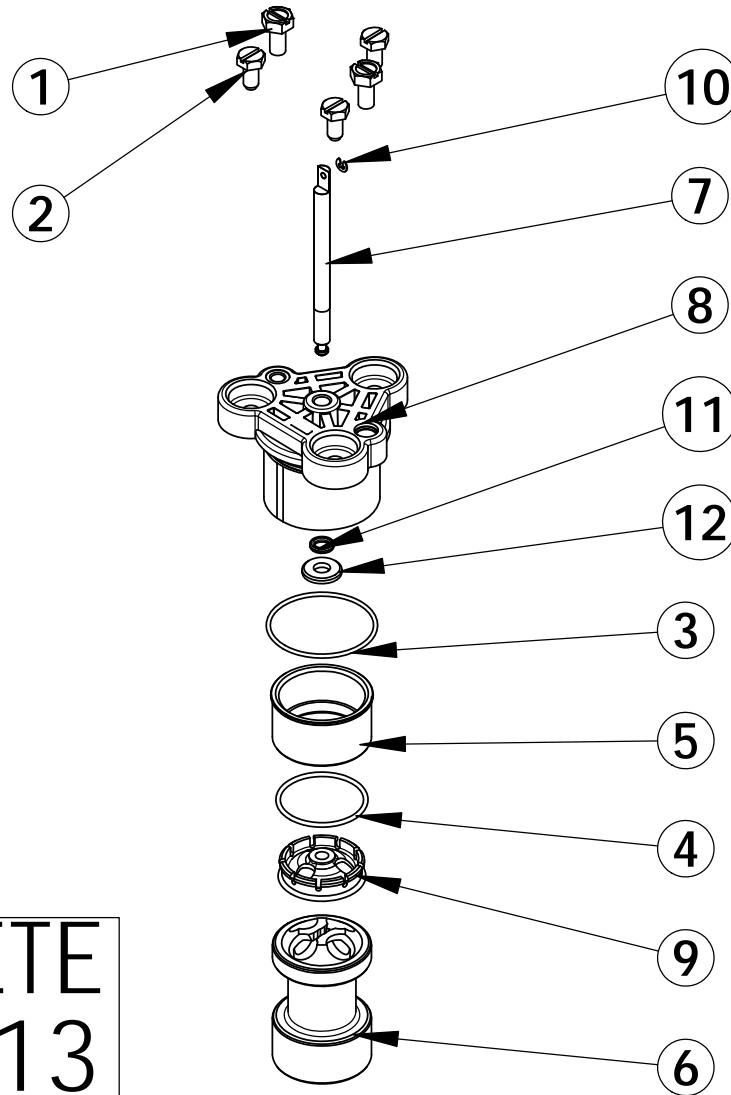


REVISIONS				
ECN	Rev.	Description	Date (dd/mm/yy)	Approved
4454	A	CREATE ON SOLIDWORKS	3/12/07	LD
F5157	B	BU40952 was BR40952	03/05/2010	MP



OBSOLETE
see F5613

ITEM	PN	DESCRIPTION	BU28577 QTY	BU28577-01 QTY
1	BR10231	SCREW, SLOTTED, INDENTED HEX HEAD, 1/4 - 20 X .50	2	2
2	23728	SCREW	3	3
3	BU40952	O-RING, -030	1	1
4	BR19877	O-RING, -027	1	1
5	BR42174	NHWB-P PISTON 3150	1	1
6	BR42177	PISTON, 2850	1	1
7	BR42178	Piston Rod	1	1
8	BR42181	PLUG, END, 2850S, 3 BOLT	1	-
8	BR42181-01	PLUG, END, 2850S, 3 BOLT	-	1
9	BR42182	NHWB-P PISTON 3150	1	1
10	BR42302	RING, RETAINING	1	1
11	BU10209-01	QUAD RING DURO=60	1	1
12	BU13008	RETAINER, END PLUG SEAL	1	1



PISTON ASSY 2870 NBP

BU28577-XX

CHAP. 19