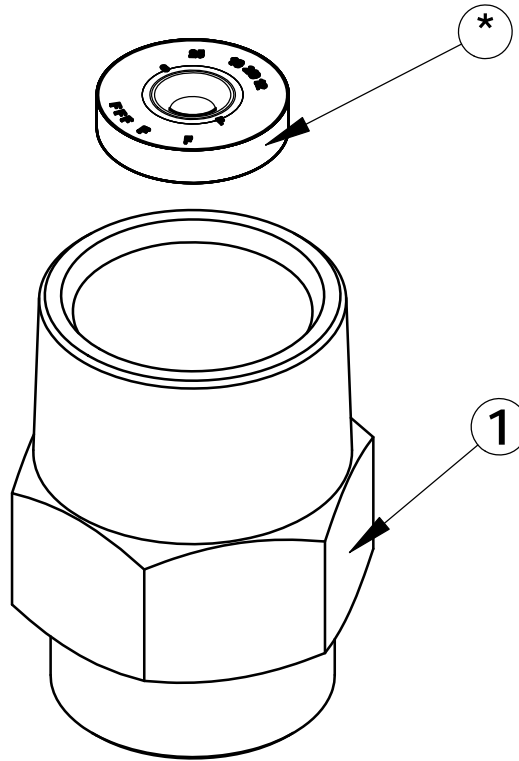


REVISIONS				
ECN	Rev.	Description	Date (dd/mm/yy)	Approved
4454	A	CREATED ON SOLIDWORKS	5/12/07	LD



**OBSOLETE**  
 see F5613

ITEM	PN	DESCRIPTION	BU28582-10 QTY	BU28582-12 QTY	BU28582-15 QTY	BU28582-20 QTY	BU28582-25 QTY
2	16529	FLOW CONTROL WASHER 10 GPM	1	-	-	-	-
2	16735	FLOW CONTROL WASHER 12 GPM	-	1	-	-	-
2	16736	FLOW CONTROL WASHER 15 GPM	-	-	1	-	-
2	16528	FLOW CONTROL WASHER 20 GPM	-	-	-	1	-
2	16737	FLOW CONTROL WASHER 25 GPM	-	-	-	-	1



**DLFC ASSY, 1"1/4, BRASS**

**BU28582-xx**