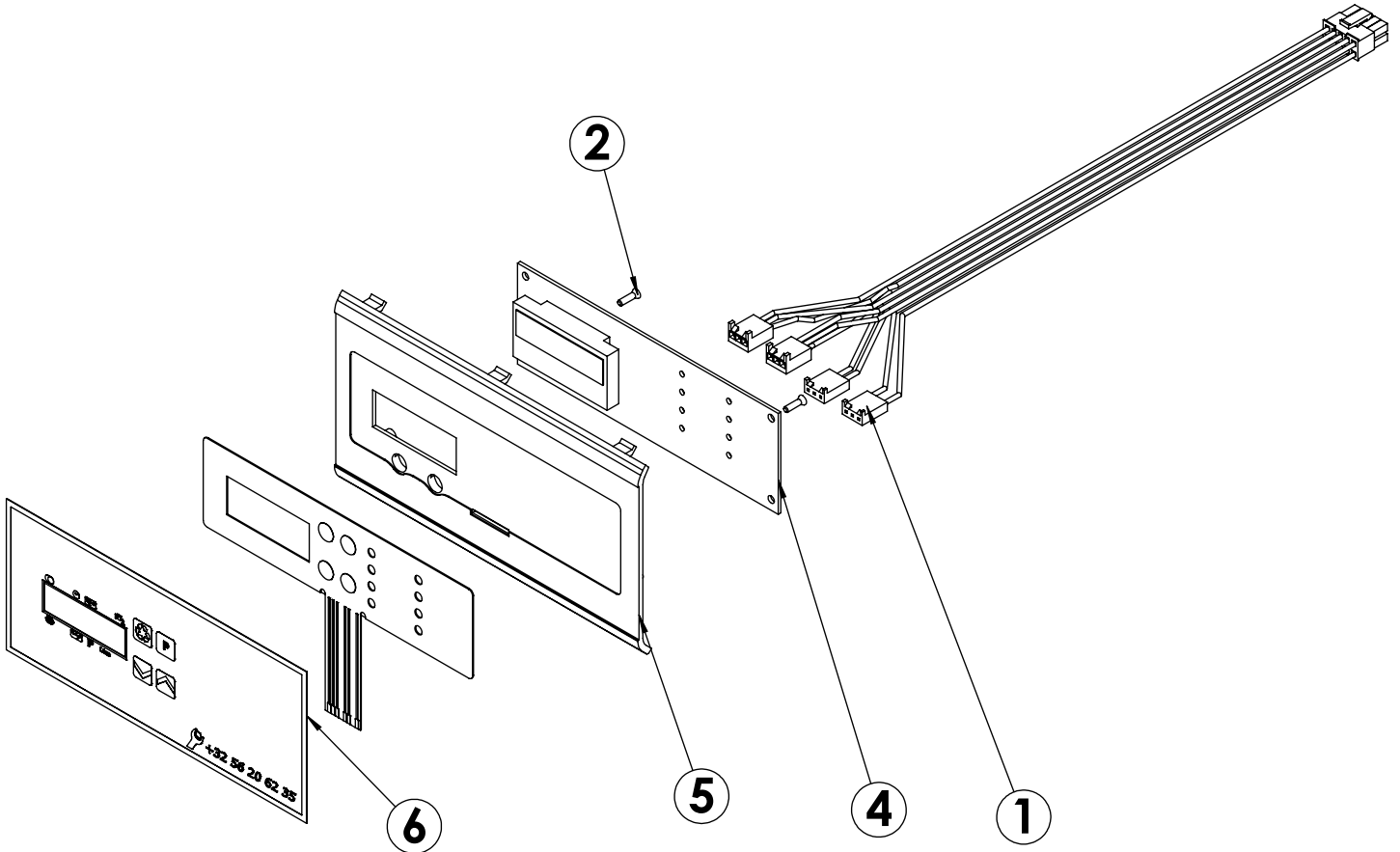


REVISIONS				
ECN	Rev.	Description	Date (dd/mm/yy)	Approved
	A	CREATED ON SOLIDWORKS	19/03/08	LD
4745	B	Correction : added 19083 and description of BU28594 was	14/05/08	LD



ITEM	PN	DESCRIPTION	QTY
1	26664	WIRE HARNES, ELECTRONIC CARD	1
2	BU13898	SCREW 4-24	2
3	BU19083	PAD, SWITCH-7 DIGIT, 6700	1
4	BU28530	Circuit board 6600/6700GFX 24V 1 Relay	1
5	BU28593	FRONT PANEL BAYARD	1
6	BU28594	BAYARD FRONT LABEL	1



BAYARD COVER ASSY

BU28596

CHAP. 28