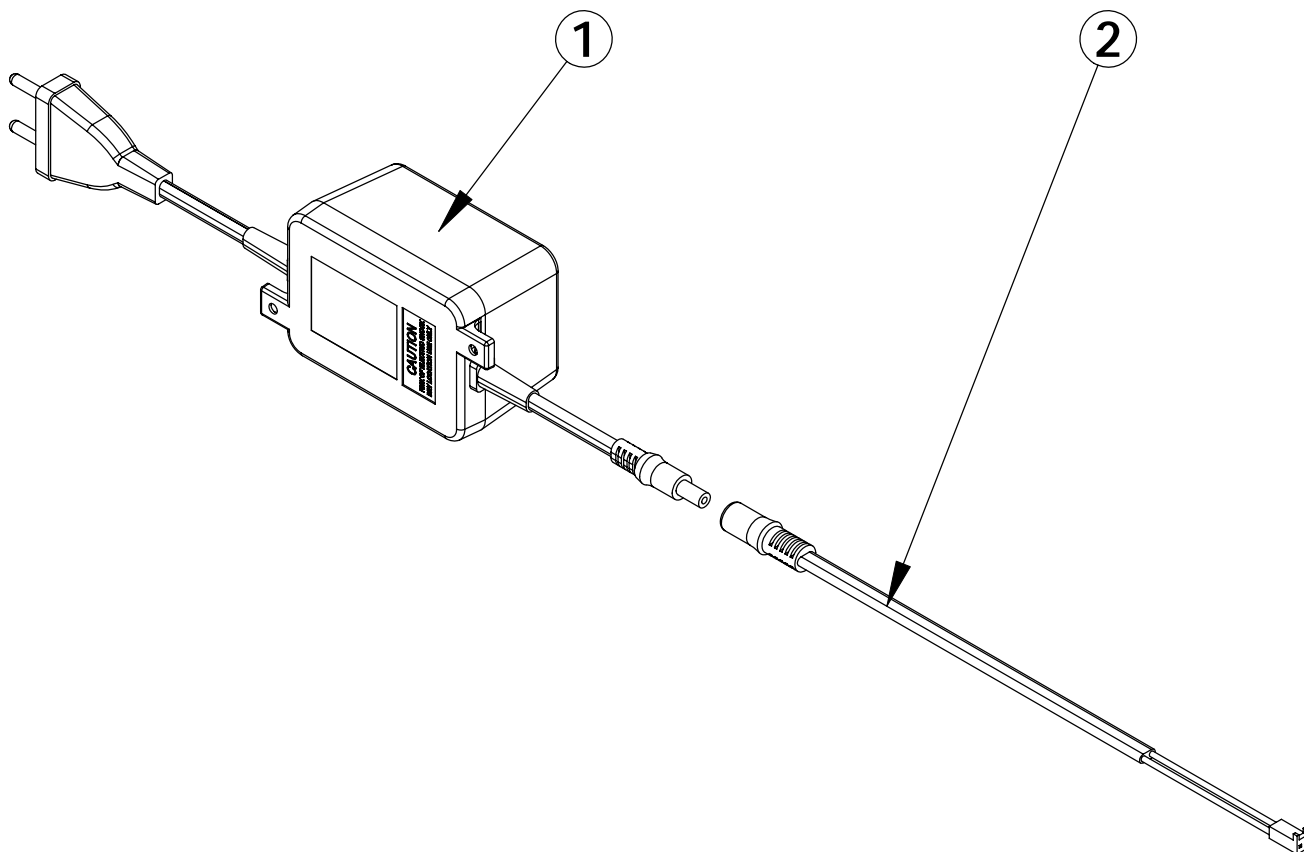


REVISIONS				
ECN	Rev.	Description	Date (dd/mm/yy)	Approved
F4991	A	CREATED ON SOLIDWORKS	2/06/09	LD



ITEM	QTY	PART NO.	DESCRIPTION	NOM
1	1	25651	24v, STANDARD TRANSFORMER	TRANSFORMATEUR STANDARD 24v
2	1	BU28552-10	TRANSFORMER PLUG WIRE HARNESS, 7700	CABLE TRANSFORMATEUR pour 7700



KIT TRANSFORMER ASSY, 7700

BU28597-10