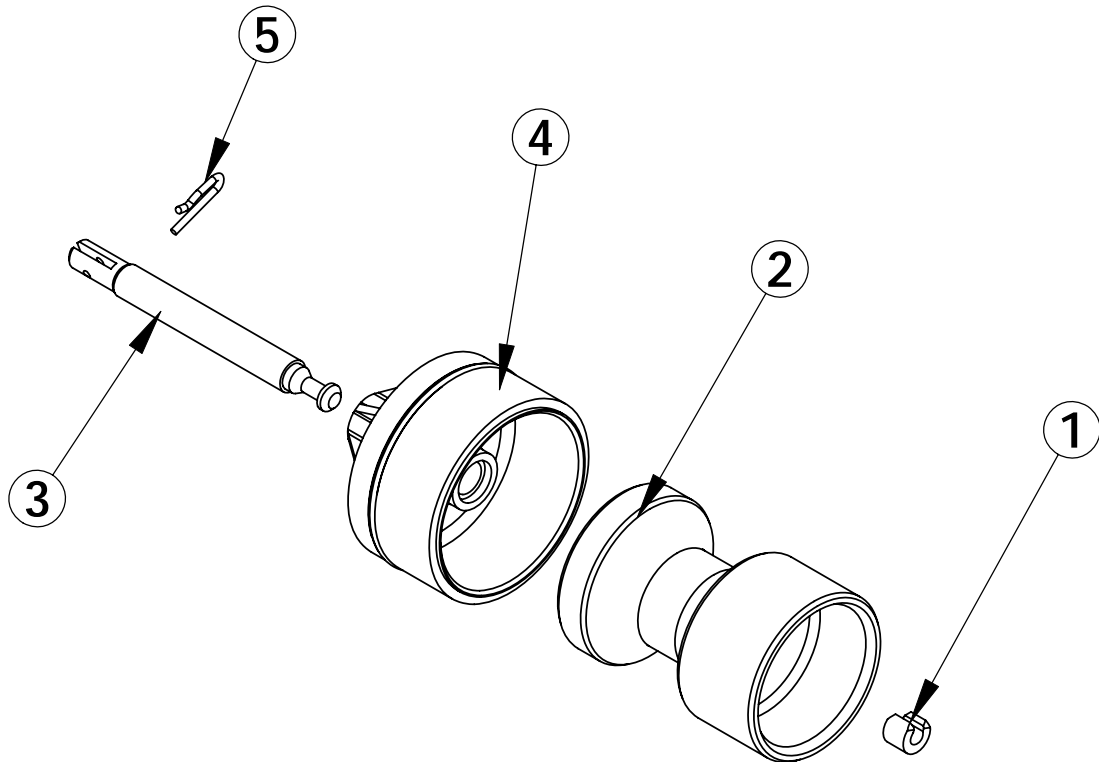


REVISIONS				
ECN	Rev.	Description	Date (dd/mm/yy)	Approved
	A	CREATED ON SOLIDWORKS	11/02/08	LD
	B	BU28604 was 24213	14/02/2008	LD
F4752	C	ADD BR10909 * ADD NOTE "SPARE PARTS ONLY"	30/05/2008	MP/LD



**OBSOLETE
SEE F5229**

SPARE PARTS ONLY

ITEM	QTY	PART NO.	DESCRIPTION	NOM
1	1	BR14818	RING,PISTON ROD,SNAP	ANNEAU
2	1	BU14757	PISTON WBP 2900	PISTON WBP 2900
3	1	BU14758	PISTON ROD	TIGE DE PISTON
4	1	BU28604	END PLUG ASSY 2910 SOFT REGENERATION	ETRIER ASSEMBLE 2910 Soft Regeneration
5	1	BR10909	PIN, CONNECTING ROD SPRING	GOUPILLE



KIT WBP PISTON ASSY 2910 SOFTWATER

BU28598

Chap.19