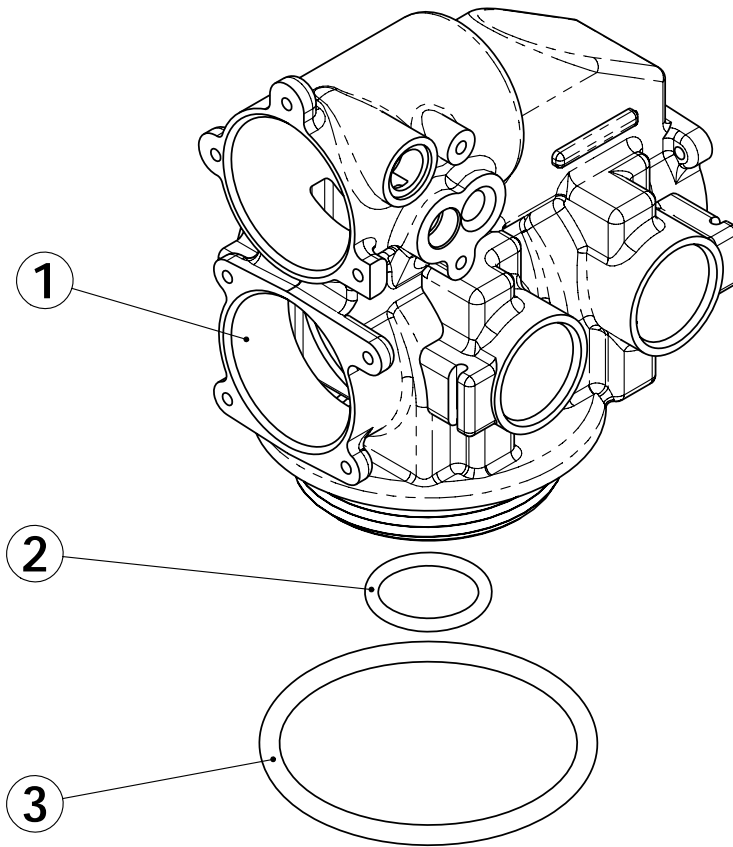


REVISIONS				
ECN	Rev.	Description	Date (dd/mm/yy)	Approved
F4692	A	CREATION	11/03/08	MAN/LD



ITEM	QTY	PART NO.	DESCRIPTION	NOM
1	1	BU14861	VALVE BODY, 9000	CORPS DE VANNE 9000
2	1	BR11710-01	O-RING, -215, 560CD	JOINT TORIQUE
3	1	BU12281-01	O'RING 78,74x5,33	JOINT TORIQUE 78,74x5,33



VALVE BODY 9000 ASSY

BU28606

Chap.28