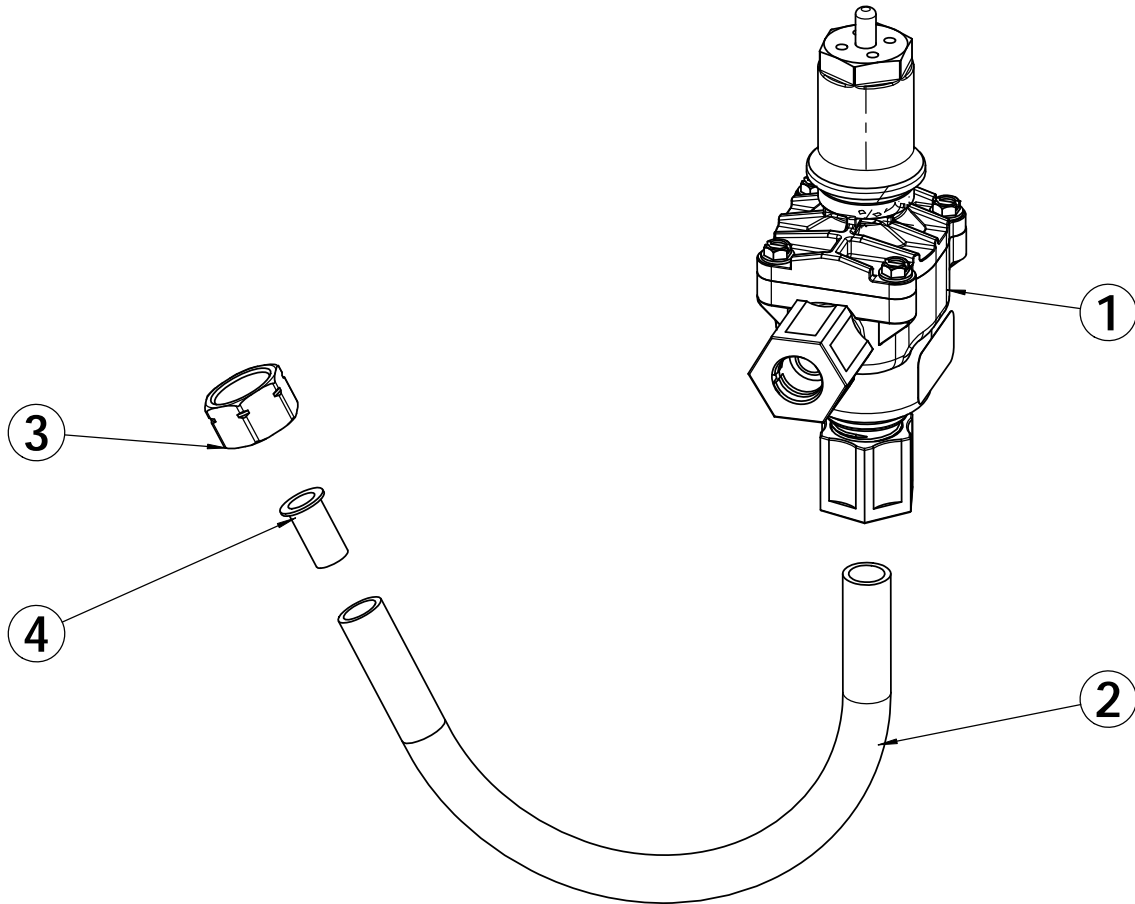


REVISIONS				
ECN	Rev.	Description	Date (dd/mm/yy)	Approved
F4700	A	CREATION	26/03/08	MAN/LD
F4889	B	BR41447 was 41447	17/12/2008	MAN/LD



ITEM	P/N	DESCRIPTION	BU28614-1.2	BU28614-2	BU28614-4	BU28614-7
1	28423-1.2	1.2 GPM , BRINE VALVE 1710 ASSY	1	-	-	-
1	28423-2	2 GPM , BRINE VALVE 1710 ASSY	-	1	-	-
1	28423-4	4 GPM , BRINE VALVE 1710 ASSY	-	-	1	-
1	28423-7	7 GPM , BRINE VALVE 1710 ASSY	-	-	-	1
2	BR41447	TUBE,BRINE,2900,U/F,CPI	1	1	1	1
3	BR15414	NUT,2900,W/SLEEVE	1	1	1	1
4	15415	FITTING, INSERT, 1/2", TUBE	1	1	1	1



1710 BV w/ TUBE ASSY 2910 UP FLOW (Specify gpm size)

BU28614-XX